

GAS COUNTERTOP HOT PLATE



GHP-4



Curved dome over pilot light protects from spills and food debris.



GHP-2

MODEL	# OF BURNERS	BTU/PER NAT/LP	TOTAL BTU/HR	PRESSURE IN. W.C	DIMENSIONS			LBS
					WIDTH	DEPTH	HEIGHT	
GHP-2	2	22,000	44,000	6 / 10	12"	26.75"	15"	58.75
GHP-4	4	22,000	88,000	6 / 10	24"	26.75"	15"	103.95

Note: Depths do not include gas inlet pipe, located at rear of the unit.



SPECTRUM GAS HOT PLATES come equipped with precision engineered manually controlled valves. The gas hot plates have dual pilot light assemblies that have individual gas feed lines to allow instant restarting if one pilot light goes out. Pilot lights are located away from the center of the burners and are covered under our specially designed burner trivets to keep them away from cooking debris. Spectrum Gas Hot Plates come with LP conversion kits and are ETL approved for sanitation and ANSI Z83.11 for U.S. and CSA 1.8b for Canada. Warranty and national onsite service program information can be found in the user manual.

- ◆ GHP-2: Two independently controlled burners
- ◆ GHP-4: Four independently controlled burners
- ◆ Stainless steel body, drip tray, and back splash
- ◆ Removable cast iron grills for easy cleaning
- ◆ Conversion kit allows the use of propane or natural gas
- ◆ Adjustable pilot light
- ◆ Adjustable feet
- ◆ ETL listed for safety and sanitation
- ◆ One year warranty

ITEM	DESCRIPTION	UOM
GHP-2	Gas 2 Open Burner Hot Plate & 1 Conversion Kit	Set
GHP-4	Gas 4 Open Burner Hot Plate & 1 Conversion Kit	Set



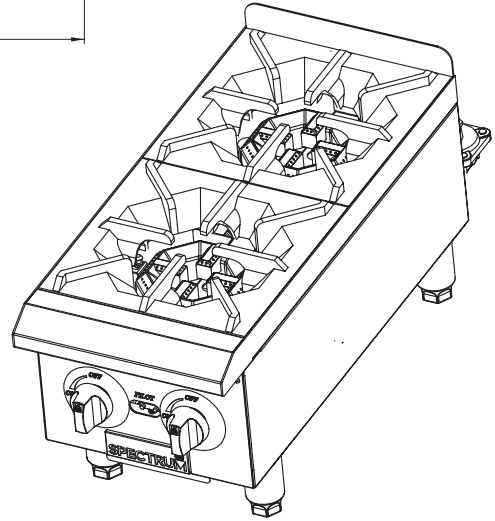
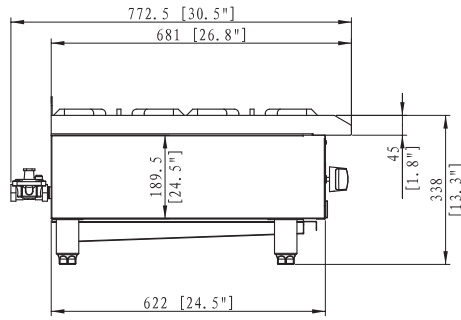
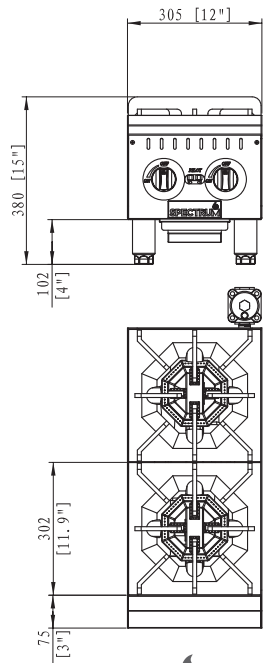
Conforms to ANSI STD
Z83.11b-2009(R2012)
Certified to CSA
STD 1.8b-2009(R2012)



www.WincoUS.com

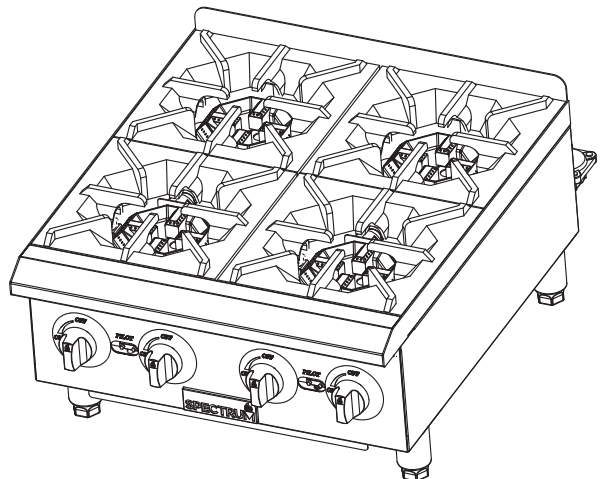
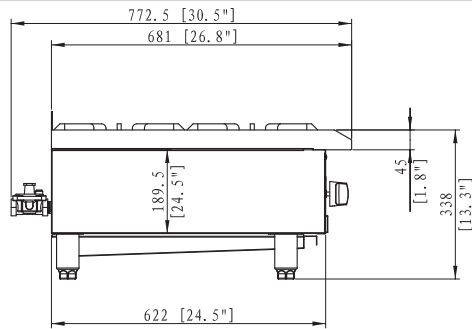
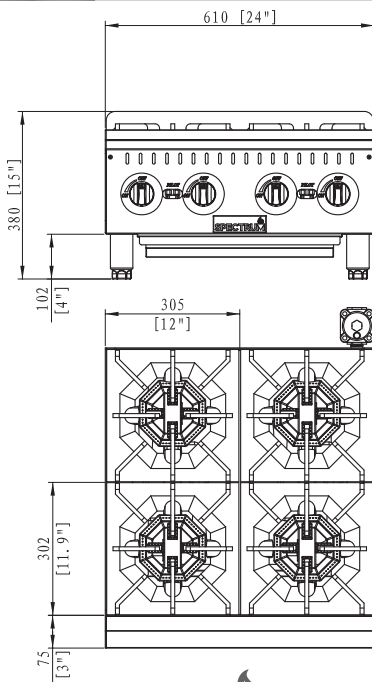


GAS COUNTERTOP HOT PLATE



SPECTRUM
WINCO/DWL INDUSTRIES CO.

Model GHP-2



SPECTRUM
WINCO/DWL INDUSTRIES CO.

Model GHP-4