



IMPORTANT FOR FUTURE REFERENCE

Please complete this information and retain this manual for the life of the equipment:

Model #: _____

Serial #: _____

Date Purchased: _____

ENGLISH

Installation & Operation Manual

SG6H: Solstice Gas Fryer

SFSG6H: Solstice Gas Fryer with Filter

Built after 3/2009



SFSG6H Shown



L20-332, rev. 1 (05/11)

TO THE PURCHASER, OWNER AND STORE MANAGER

Please review these warnings prior to posting them in a prominent location for reference.

TO THE PURCHASER

Post in a prominent location the instructions to be followed in the event that an operator smells gas. Obtain this information from your local gas supplier.

WARNING

DO NOT store or use gasoline or other flammable vapors and liquids in the vicinity of this or any other appliance.

WARNING

Improper installation, alteration, service or maintenance can cause property damage, injury or death. Read the installation, operating and maintenance instructions thoroughly before installing or servicing this appliance.

WARNING

Installation, maintenance and repairs should be performed by a Pitco Authorized Service and Parts (ASAP) company technician or other qualified personnel. Installation, maintenance or repairs by an unauthorized and unqualified personnel will void the warranty.

WARNING

Installation and all connections must be made according to national and local regulations and codes in force.

WARNING

During the warranty period if a customer elects to use a non-original part or modifies an original part purchased from Pitco and/or its Authorized Service and Parts (ASAP) companies, this warranty will be void. In addition, Pitco and its affiliates will not be liable for any claims, damages or expenses incurred by the customer which arises directly or indirectly, in whole or in part, due to the installation of any modified part and/or received from an unauthorized service center.

WARNING

This appliance, when installed, must be electrically grounded in accordance with local codes, or in the absence of local codes, with the National Electrical Code, ANSI/NFPA 70, or the Canadian Electrical Code, CSA C22.2, as applicable.

WARNING

Adequate means must be provided to LIMIT the movement of this appliance without depending on the gas or electrical cord connection. Single appliances equipped with legs must be stabilized by installing anchor straps. All appliances equipped with casters must be stabilized by installing restraining chains.

WARNING

An appliance equipped with casters and a flexible gas line must be connected to the gas supply with a quick disconnect device. This quick disconnect must comply with ANSI Z24.41.

WARNING

DO NOT alter or remove structural material on the appliance to accommodate placement under a ventilation hood.

WARNING

This appliance is intended for professional use only and should be operated by fully trained and qualified personnel.

WARNING

If the appliance is equipped with a power cord and it is damaged, it must be replaced by a Pitco Authorized Service and Parts (ASAP) company technician, or a similarly qualified person in order to avoid a hazard.

WARNING

The power supply must be disconnected before servicing, maintaining or cleaning this appliance.

WARNING

The appliance is NOT jet stream approved. DO NOT clean the appliance with a water jet.

WARNING

DO NOT attempt to move this appliance or transfer hot liquids from one container to another when the unit is at operating temperature or filled with hot liquids. Serious personal injury could result if skin comes in contact with the hot surfaces or liquids.

WARNING

DO NOT sit or stand on this appliance. The appliance's front panel, tank, splash back, tank cover, workshelf, drain board is not a step. Serious injury could result from slipping, falling or contact with hot liquids.

WARNING

NEVER use the appliance as a step for cleaning or accessing the ventilation hood. Serious injury could result from slips, trips or from contacting hot liquids.

WARNING

The oil/shortening level should NOT fall below the minimum indicated level line at any time. The use of old shortening can be dangerous as it will have a reduced flash point and be more prone to surge boiling.

WARNING

The contents of the crumb catch and/or filter pan of any filter system must be emptied into a fireproof container at the end of each day. Some food particles can spontaneously combust if left soaking in certain types of oil or shortening.

WARNING

Completely shut the appliance down when shortening/oil is being drained from the appliance. This will prevent the appliance from heating up during the draining and filling process. Serious injury can occur.

WARNING

This appliance is intended for indoor use only.

WARNING

DO NOT operate appliance unless all panels and access covers are attached correctly.

WARNING

It is recommended that this appliance be inspected by a qualified service technician for proper performance and operation on a yearly basis.

WARNING

There is an open flame inside this appliance. The unit may get hot enough to set nearby materials on fire. Keep the area around the appliance free from combustibles.

WARNING

DO NOT supply the appliance with a gas that is not indicated on the data plate. If you need to convert the appliance to another type of fuel, contact your dealer.

WARNING

DO NOT use an open flame to check for gas leaks!

WARNING

If gas flow to appliance is interrupted, or pilots extinguish, wait 5 minutes before attempting to relight the pilot to allow any residual gas in appliance to dissipate.

WARNING

Ensure that the appliance can get enough air to keep the flame burning correctly. If the flame is starved for air, it can give off a dangerous carbon monoxide gas. Carbon monoxide is a clear odorless gas that can cause suffocation.

1. INSTALLATION.....2

1.1. CHECKING YOUR NEW APPLIANCE..... 2

1.2. INSTALLATION CLEARANCES 3

1.3. LEG/CASTER INSTALLATION AND LEVELING 3

1.4. GAS CONNECTION..... 4

1.4.1. QUICK DISCONNECT CONNECTION 4

1.4.2. FUEL SUPPLY LINE LEAK AND PRESSURE TESTING 4

1.4.3. CE GAS TABLE (NOT APPLICABLE TO ALL MODELS) 5

1.5. ELECTRICAL CONNECTIONS 6

1.6. VENTILATION AND FIRE SAFETY SYSTEMS 7

INSPECTION..... 7

1.8. INITIAL ADJUSTMENTS 8

1.8.1. FILLING THE APPLIANCE 8

1.8.2. LIGHTING INSTRUCTIONS 8

1.8.3. PILOT FLAME ADJUSTMENT 9

1.8.4. MAIN BURNER SYSTEM ADJUSTMENT 10

1.9. INITIAL CLEANING 11

2. OPERATION..... 12

2.1. OPERATIONAL FEATURES 12

2.1.1. BASIC OPERATIONAL FEATURES..... 13

2.1.2. OPERATION FEATURES SPECIFIC TO MODELS WITH FILTERS..... 13

2.2. FILLING THE COOKER TANK..... 14

2.2.1. FILLING THE TANK WITH LIQUID SHORTENING..... 14

2.2.2. FILLING THE TANK WITH SOLID SHORTENING 14

2.3. APPLIANCE START UP 15

2.4. COOKING..... 16

2.4.1. TIMER OPERATION 16

2.4.2. ADDITIONAL CONTROLLER FUNCTIONS 16

TABLE OF CONTENTS



2.5. COOKING TIPS.....	16
2.6. APPLIANCE SHUTDOWN.....	17
2.6.1. STANDBY MODE.....	17
COMPLETE SHUTDOWN.....	17
3. PREVENTATIVE MAINTENANCE.....	18
3.1. DAILY PREVENTATIVE MAINTENANCE	18
3.1.1. FILTERING WITH A FILTER DRAWER (IF EQUIPPED).....	18
3.1.2. FLUSH HOSE OPERATION (IF EQUIPPED).....	18
3.1.3. REPLACING THE FILTER MEDIA (IF EQUIPPED).....	19
3.1.4. APPLIANCE INSPECTION	19
3.1.5. CLEANING THE COOK TANK.....	20
3.1.6. CLEANING THE CABINET	20
3.1.7. FILTER CLEANING (IF EQUIPPED)	20
3.2. WEEKLY PREVENTATIVE MAINTENANCE.....	20
3.3. MONTHLY PREVENTATIVE MAINTENANCE	21
3.3.1. BOIL OUT PROCEDURE.....	21
3.3.2. TEMPERATURE CHECK.....	22
3.4. ANNUAL/PERIODIC PREVENTATIVE MAINTENANCE AND INSPECTION.....	22
3.4.1. SAFETY EVALUATION.....	22
3.4.2. MECHANICAL INSPECTION.....	22
3.4.3. TEMPERATURE CONTROL SYSTEM.....	22
3.4.4. FILTER SYSTEM (IF EQUIPPED).....	23
3.4.5. CONTROL BOX & ELECTRICAL COMPONENTS.....	23
3.4.6. GAS COMBUSTION SYSTEM.....	23
3.5. VENTILATION HOOD	23
4. TROUBLESHOOTING	24
4.1. POWER FAILURE.....	24
4.2. HIGH TEMPERATURE LIMIT	24
4.3. DRAIN VALVE INTERLOCK	24

4.4. SELF CLEANING BURNER SYSTEM (NOT ON ALL MODELS) 25

4.5. TROUBLESHOOTING CHARTS 26

 4.5.1. FRYER TROUBLESHOOTING CHART 26

 4.5.2. FILTER TROUBLESHOOTING CHART (IF EQUIPPED) 26

4.6. COMPUTER & DIGITAL CONTROLLER DISPLAYS (IF EQUIPPED) 27

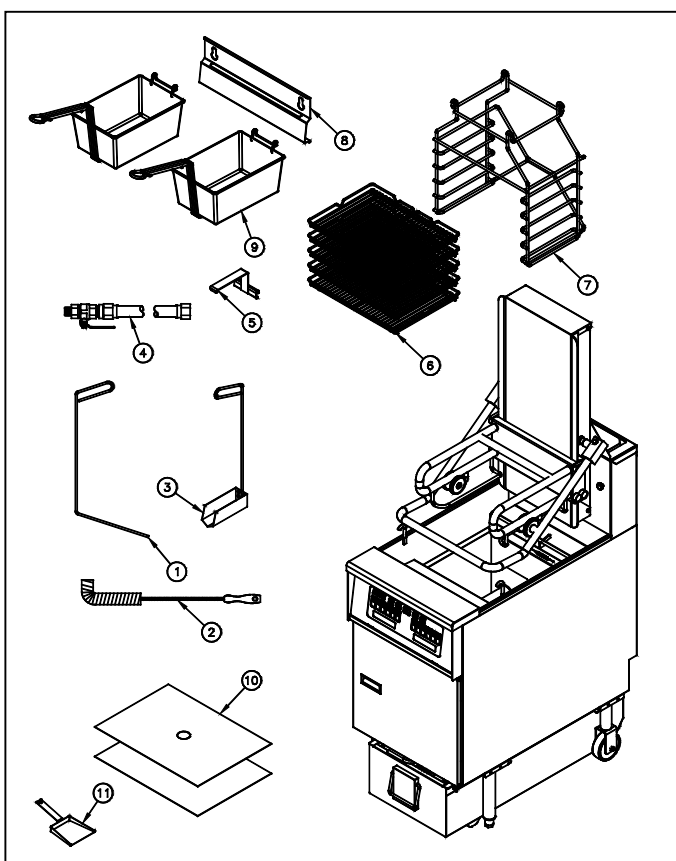
1. INSTALLATION

1.1. CHECKING YOUR NEW APPLIANCE

Your new Pitco appliance has been carefully packed into one crate. Every effort has been made to ensure that it is delivered to you in perfect condition. As you unpack your new appliance, inspect each of the pieces for damage. If something is damaged, **DO NOT** sign the bill of lading. Contact the shipper immediately; the shipper is only responsible for 15 days after delivery. Check the packing list enclosed with your appliance to ensure that you have received all the parts to the appliance. If you are missing any parts, contact the dealer from whom the appliance was purchased. As you unpack the appliance and its accessories be careful to keep the weight of the appliance evenly distributed. Refer to the table below to identify which accessories should be included with your appliance.

Locate your Pitco model number and serial number on the inner door of the appliance and the find the date purchased. Write this information on the front cover of this manual for future reference.

If you have completed the above steps that are applicable to the appliance you purchased, the appliance is now ready to be installed. Although it may be possible for you to install and set up your new appliance, it is **STRONGLY** recommended that you have this done by qualified professionals. A qualified professional will ensure that the installation is safe and meets local building and fire codes.



Accessories

#	Description	SG6H	SFSG6H
1	Fry pot drain clean out rod	Standard	
2	Fry pot cleaning brush	Standard	
3	Fry pot crumb scoop	Standard	
4	Flexible gas hose with disconnect	Optional	
5	Rack handle	Standard with Lift Assist	
6	Product racks	Standard with Lift Assist	
7	Rack holder	Standard with Lift Assist	
8	Basket hanger	Optional in lieu of Lift Assist	
9	Fry baskets	Optional in lieu of Lift Assist	
10	Filter paper	n/a	Standard
11	Filter shovel scoop	n/a	Standard

WARNING

DO NOT sit or stand on this appliance. The appliance's front panel, tank, splash back, tank cover, workshelf, drain board is not a step. Serious injury could result from slipping, falling or contact with hot liquids.

1.2. INSTALLATION CLEARANCES

The clearances shown below are for combustible and non-combustible installations and will allow for safe and proper operation of your appliance.

	Combustible Construction Inches (centimeters)	Non Combustible Construction Inches (centimeters)
Back	6.0" (15.24cm)	0.0" (0.0cm)
Sides	6.0" (15.24cm)	0.0" (0.0cm)
Floor	6.0" (15.24cm)	6.0" (15.24cm)

In addition to the above clearances there must also be at least 16 inches (40.64cm) of aisle space in front of the unit.

WARNING	WARNING
DO NOT obstruct the flow of ventilation, or air openings around the appliance. Adequate clearance around the appliance is necessary for servicing and proper component ventilation. Ensure that you meet the minimum clearance requirements specified in this manual.	DO NOT install this appliance next to a water cooker. A splash over of water into the hot oil may cause a flash fire.

CAUTION

To prevent equipment damage and/or personal injury, do not tilt the appliance onto any two of its casters or legs, or pull the appliance by the splash back.

1.3. LEG/CASTER INSTALLATION AND LEVELING

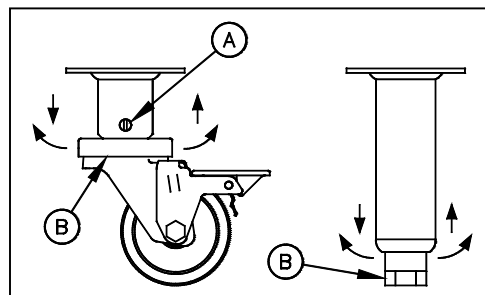
When you receive your appliance it is completely assembled with the possible exception of the legs (or casters). This appliance must be installed with legs or casters; it cannot be curb mounted. Curb mounting will seriously inhibit this appliance's ability to effect proper component ventilation. The legs/casters must be installed before connecting the appliance to the power supply. The legs/casters provide the necessary height to meet sanitation requirements and assure adequate air supply to the combustion system. Use the following procedure.

WARNING

This appliance must be installed with the legs or casters provided by the manufacturer.

Required tools: 7/16 " wrench and socket and a large pair of water pump pliers.

1. Lay the appliance on its back, being careful not to damage the splash back by pulling on it. Protect the outside of the appliance with cardboard or a drop cloth when laying it down.
2. Attach each leg/caster with the hex head screws and nuts supplied. Each leg/caster requires four ¼-20 x 5/8" hex head screws and nuts. Insure that all screws are tight.
3. Mount the screws from the inside of the appliance with the nut on the outside (bottom) of the appliance. The nuts have lock washers attached to them, therefore it is not necessary to use separate lock washers.
4. When all four legs/casters are securely mounted, stand the unit up, being careful not to put too much weight on any one leg. Adjust the height and level the appliance by adjusting the leveling devices (B) with water pump pliers. On casters, loosen 2 screws (A) before leveling, make your height adjustments, then retighten.



WARNING

DO NOT install legs or casters, or perform leveling procedure when appliance is in operation or full of hot liquids. Serious injury could result.

1.4. GAS CONNECTION

Your appliance will give you peak performance when the gas supply line is of sufficient size to provide the correct gas flow. The gas line must be installed to meet the local building codes or National Fuel Gas Code ANS Z223.1 and NFPA 54 (latest editions). In Canada, install the appliance in accordance with CSA B149.1 or .2 and local codes. Gas line sizing requirements can be determined by a qualified installation professional, your local gas company or by referring to the National Gas Fuel Code, Appendix C, Table C-4 (for natural gas) and Table C-16 (for propane). The gas line needs to be large enough to supply the necessary amount of fuel to all appliances without losing pressure to any appliance. A properly sized and installed gas line will deliver a supply pressure between 7.0" W.C. (17.4mbars, 1.74kPa) and 10.0"W.C. (24.9mbars, 2.49kPa) natural gas or between 11.0"W.C. (27.4mbars, 2.74kPa) and 13.0" W.C. (32.4mbars, 3.25kPa) propane to all appliances connected to the supply line, operating simultaneously at full demand. The pressure at the gas valve shall not exceed ½ PSI.

Each appliance is equipped to operate on one certain fuel type. The type of fuel with which the appliance is intended to operate is stamped on the data plate, which is attached to the inside of the door.

WARNING

NEVER supply the appliance with a gas other than the one that is indicated on the data plate. Using the incorrect gas type will cause improper operation and could result in serious injury or death. If you need to convert the appliance to another type of fuel, contact the dealer you purchased it from.

NOTICE

NEVER use an adapter to make a smaller gas supply line fit the appliance connection. This may not allow proper gas flow for optimum burner operation, resulting in poor performance and improper operation.

1.4.1. QUICK DISCONNECT CONNECTION

Gas appliances equipped with casters must be installed with connectors that comply with the Standard for Movable Gas Appliances, ANSI Z21.69 • CSA 6.16 latest edition. This connection should include a quick disconnect device that complies with the Standard for Quick Disconnect Devices for Use With Gas Fuel, ANSI Z21.41 • CSA 6.9 latest edition. When installing a quick disconnect you must also install adequate means for limiting the movement of the appliance without depending on the connector and quick-disconnect device or it's associated piping to limit the movement of the appliance. The restraining device should be attached to the appliance on the back panel.

1.4.2. FUEL SUPPLY LINE LEAK AND PRESSURE TESTING

The fuel supply system must be tested before the appliance is used. If the fuel line is going to be tested at a pressure greater than ½ PISG (3.45 kPa), insure that that appliance is disconnected from the fuel line. If the fuel line is to be tested at a pressure equal to or less than ½ PSIG (3.45 kPa), the appliance can be connected during the test, but the unit's gas valve must be shut. Test all gas line connections for leaks with a solution of soap and water when pressure is applied.

1.4.3. CE GAS TABLE (NOT APPLICABLE TO ALL MODELS)


Refer to the following table for gas specifications for the country of use. If the country of use is NOT listed, refer to the information stamped on the data plate.

Country	Fuel Type	Gas	Appliance Category	Input (Gross) kW	Input (Net) kW	Supply Pressure (mbar)	Burner Pressure (mbar)	Burner Orifice	Pilot Orifice (code)	Governor	Nom rate (m3/hr)	Restrictor Orifice
Austria (AT)	Nat	G20	I2H	40	36.0	20	10	#41	N22	YES	3.8	N/A
	LP	G31	I3P		36.8	50/37	25.4	#53	LP16	YES	1.5	
Belgium (BE)	Nat	G20/G25	I2E+	40	36.0	20/25	10	#41/#38	N22	NO	3.8/4.4	5.61 mm
	LP	G31	I3P		36.8	50/37	25.4	#53	LP16	YES	1.5	N/A
Bulgaria (BG)	Nat	G20	I2H	40	36.0	20	10	#41	N22	YES	3.8	N/A
	LP	G31	I3P		36.8	50/37	25.4	#53	LP16	YES	1.5	
Cyprus (CY)	Nat	THIS COUNTRY DOES NOT USE NATURAL GAS										N/A
	LP	G31	I3P	40	36.8	50/37	25.4	#53	LP16	YES	1.5	
Czech Rep. (CZ)	Nat	G20	I2H	40	36.0	20	10	#41	N22	YES	3.8	N/A
	LP	G31	I3P		36.8	50/37	25.4	#53	LP16	YES	1.5	
Denmark (DK)	Nat	G20	I2H	40	36.0	20	10	#41	N22	YES	3.8	N/A
	LP	NOT APPROVED FOR USE WITH LP GAS IN THIS COUNTRY										
Estonia (EE)	Nat	G20	I2H	40	36.0	20	10	#41	N22	YES	3.8	N/A
	LP	NOT APPROVED FOR USE WITH LP GAS IN THIS COUNTRY										
Finland (FI)	Nat	G20	I2H	40	36.0	20	10	#41	N22	YES	3.8	N/A
	LP	NOT APPROVED FOR USE WITH LP GAS IN THIS COUNTRY										
France (FR)	Nat	G20/G25	I2Esi	40	36.0	20/25	10	#41/#38	N22	YES	3.8/4.4	N/A
	LP	G31	I3P		36.8	50/37	25.4	#53	LP16	YES	1.5	
Germany (DE)	Nat	G20/G25	I2ELL	40	36.0	20/25	10	#41/#38	N22	YES	3.8/4.4	N/A
	LP	G31	I3P		36.8	50/37	25.4	#53	LP16	YES	1.5	
Great Britain (GB)	Nat	G20	I2H	40	36.0	20	10	#41	N22	YES	3.8	N/A
	LP	G31	I3P		36.8	50/37	25.4	#53	LP16	YES	1.5	
Greece (GR)	Nat	G20	I2H	40	36.0	20	10	#41	N22	YES	3.8	N/A
	LP	G31	I3P		36.8	50/37	25.4	#53	LP16	YES	1.5	
Hungary	Nat	G20	I2H	40	36.0	20	10	#41	N22	YES	3.8	N/A
	LP	G31	I3P		36.8	50/37	25.4	#53	LP16	YES	1.5	
Iceland (IS)	Nat	NO DATA AVAILABLE FOR THIS COUNTRY										N/A
	LP	NO DATA AVAILABLE FOR THIS COUNTRY										
Ireland (IE)	Nat	G20	I2H	40	36.0	20	10	#41	N22	YES	3.8	N/A
	LP	G31	I3P		36.8	50/37	25.4	#53	LP16	YES	1.5	
Italy (IT)	Nat	G20	I2H	40	36.0	20	10	#41	N22	YES	3.8	N/A
	LP	G31	I3P		36.8	50/37	25.4	#53	LP16	YES	1.5	
Lithuania (LT)	Nat	G20	I2H	40	36.0	20	10	#41	N22	YES	3.8	N/A
	LP	NOT APPROVED FOR USE WITH LP GAS IN THIS COUNTRY										
Luxembourg (LU)	Nat	G20	I2E	40	36.0	20	10	#41	N22	YES	3.8	N/A
	LP	G31	I3P		36.8	50/37	25.4	#53	LP16	YES	1.5	
Latvia (LV)	Nat	G20	I2H	40	36.0	20	10	#41	N22	YES	3.8	N/A
	LP	NOT APPROVED FOR USE WITH LP GAS IN THIS COUNTRY										
Malta (MT)	Nat	THIS COUNTRY DOES NOT USE NATURAL GAS										N/A
	LP	G31	I3P	40	36.8	50/37	25.4	#53	LP16	YES	1.5	
Netherlands (NL)	Nat	G25	I2L	40	36.0	25	10	#38	N22	YES	4.4	N/A
	LP	G31	I3P		36.8	50	25.4	#53	LP16	YES	1.5	
Norway (NO)	Nat	G20	I2H	40	36.0	20	10	#41	N22	YES	3.8	N/A
	LP	NOT APPROVED FOR USE WITH LP GAS IN THIS COUNTRY										
Poland (PL)	Nat	G20	I2E	40	36.0	20	10	#41	N22	YES	3.8	N/A
	LP	G31	I3P		36.8	37	25.4	#53	LP16	YES	1.5	
Portugal (PT)	Nat	G20	I2H	40	36.0	20	10	#41	N22	YES	3.8	N/A
	LP	G31	I3P		36.8	50/37	25.4	#53	LP16	YES	1.5	
Romania (RO)	Nat	G20	I2H	40	36.0	20	10	#41	N22	YES	3.8	N/A
	LP	G31	I3P		36.8	50/37	25.4	#53	LP16	YES	1.5	
Spain (ES)	Nat	G20	I2H	40	36.0	20	10	#41	N22	YES	3.8	N/A
	LP	G31	I3P		36.8	50/37	25.4	#53	LP16	YES	1.5	
Slovakia (SK)	Nat	G20	I2H	40	36.0	20	10	#41	N22	YES	3.8	N/A
	LP	G31	I3P		36.8	50/37	25.4	#53	LP16	YES	1.5	
Slovenia	Nat	G20	I2H	40	36.0	20	10	#41	N22	YES	3.8	N/A
	LP	G31	I3P		36.8	50/37	25.4	#53	LP16	YES	1.5	
Sweden (SE)	Nat	G20	I2H	40	36.0	20	10	#41	N22	YES	3.8	N/A
	LP	NOT APPROVED FOR USE WITH LP GAS IN THIS COUNTRY										
Switzerland (CH)	Nat	G20	I2H	40	36.0	20	10	#41	N22	YES	3.8	N/A
	LP	G31	I3P		36.8	50/37	25.4	#53	LP16	YES	1.5	
Turkey (TR)	Nat	G20	I2H	40	36.0	20	10	#41	N22	YES	3.8	N/A
	LP	G31	I3P		36.8	50/37	25.4	#53	LP16	YES	1.5	

1.5. ELECTRICAL CONNECTIONS

It is advised that this power supply be plugged into a wall receptacle that is controlled by the ventilation control. This will prevent the appliance from being operated without the ventilator on. If your appliance requires an electrical connection, the power requirements are listed below.

	North America	International
Input Voltage	120 VAC, 50/60 Hz	220, 230 or 240 VAC 50/60 Hz
Current per unit	0.7 Amp	0.4 Amp
Filter Current	7.5 Amp	4.2 Amp
Heat Tape	0.4 Amp	0.2 Amp

CAUTION
Connecting the appliance to the wrong power supply may damage the appliance and void the warranty.
WARNING
This appliance must be connected to a power supply having the same voltage and phase as specified on the data plate located on the inside of the appliance door.
WARNING
DO NOT attempt to connect the appliance to an electrical supply other than that indicated on the data plate. Electrical connection should be performed by qualified personnel.
WARNING
The electrical connection used by this appliance must comply with local codes. If there are no local codes that apply, refer to the National Electrical Code (NEC), ANSI/NFPA 70 for installation in the US. In Canada, refer to CSA Standard C22.2 and local codes. In all other cases, refer to local and national codes and regulations.
WARNING
The appliance must be grounded in accordance with local code; if there is no local code, comply with the NEC and ANSI/NFPA No. 70 latest edition (for US and Canadian installations). In all other cases, refer to local and national codes and regulations. To comply with European requirements, European models are equipped with an equalization-bonding clamp. An equalization bonding lead must be connected to this clamp to provide sufficient protection against potential difference. This clamp, located on the rear of the appliance is marked with the following universal symbol. 
WARNING
A country approved all pole circuit breaker with a minimum open contact gap of 3mm must be used for proper installation. (CE countries)
WARNING
This equipment must be installed so that the plug is accessible unless other means for disconnection from the power supply (e.g. a circuit breaker) is provided.
WARNING
If this appliance is permanently connected to fixed wiring, it must be connected by means of copper wires having a temperature rating of not less than 167°F (75°C).
WARNING
All copper wiring for this appliance must be made in accordance with the wiring diagram(s) located on the appliance.

WARNING

If your appliance is uses line current, it is equipped with an oil proof, electrical supply cord with a three-prong safety plug. This is to protect operators from electrical shock hazard in the event of an equipment malfunction. **DO NOT** cut or remove the grounding (third) prong from this plug; it should be plugged into a properly grounded three-prong receptacle.

1.6. VENTILATION AND FIRE SAFETY SYSTEMS

Your new appliance must have proper ventilation to function safely and properly. Exhaust gas temperatures can reach as high as 1100 °F (593 °C). Therefore, it is very important to install a fire safety system. Your ventilation system should be designed to allow for easy cleaning. Frequent cleaning and proper maintenance of the ventilation system and the appliance will reduce the chances of fire. Ventilation and fire safety systems must comply to local and national codes. Refer to ANSI 83.11 for a list of reference documents that will provide guidance on ventilation and fire safety systems. For installations in U.S. and Canada, additional information can be obtained from CSA International, 8501 East Pleasant Valley Road, Cleveland, OH, 44131 or visit their website at www.csa-international.org.

It is essential that the appliance be operated only when adequate ventilation is provided. Your ventilation hood should be properly maintained. A qualified installation professional should ensure that the hood is operating properly in conjunction with the appliance. Inadequate ventilation may not properly evacuate appliance all emissions. Excessive or unbalanced ventilation may cause drafts, which could interfere with proper operation of the pilot and burners. Leave at least 18 inches (45.72cm) of open space between the flue of the appliance and the intake of the exhaust hood.

WARNING

Ensure that your ventilation system does not cause a down draft at the appliance's flue opening. A down draft will not allow the appliance to exhaust properly and will cause overheating, which may cause permanent damage. Damage caused by down drafts will not be covered by the warranty. **NEVER** allow anything to obstruct the flow of combustibles or ventilation exiting the appliance. **NEVER** place anything on top of the flue area, or block the flue in any way. **Never** place a grease condensating drip pan over the flue opening.

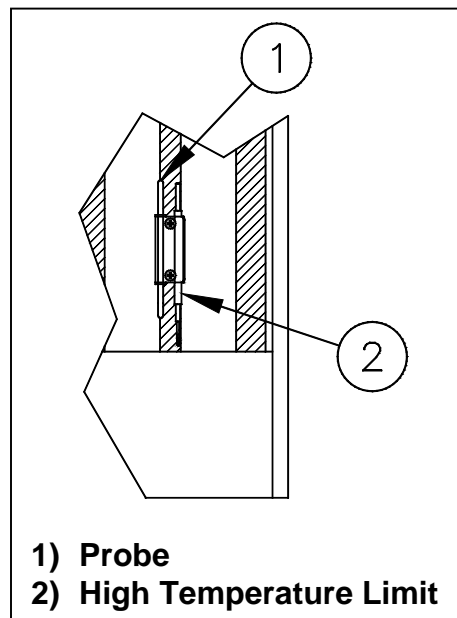
WARNING

NEVER connect the ventilation blower or hood directly to the flue of this appliance. The resulting increased flow of air through the combustion system will cause improper operation, poor temperature recovery, poor ignition and could extinguish the pilot.

1.7. INSPECTION

Before you begin filling and adjusting the appliance, perform the following visual checks:

- ✓ After the appliance is in its permanent location, check the levelness. Any additional leveling that is necessary can be performed as previously described.
- ✓ Ensure that the probe and high temperature limit is in place and secure. Check the high limit bulb mounting screws to ensure that they are tight.
- ✓ Review the installation portion of this manual and ensure that all steps have been followed and executed properly.



1.8. INITIAL ADJUSTMENTS

After your appliance has been properly installed as described in the installation section of this manual, it will need to be adjusted to ensure that it will perform as designed. A qualified person must perform these adjustments.

To perform these adjustments the following tools will be needed:

- Manometer
- Digital Thermometer (Temperature Probe)
- DC Microammeter

1.8.1. FILLING THE APPLIANCE

Refer to the following procedure to fill the cook tank prior to operation.

1. Ensure that the drain valve is closed.
2. Fill the tank with oil/shortening until the oil/shortening reaches the level line(s). Never let the oil/shortening level go below the MIN LEVEL mark stamped on the tank.

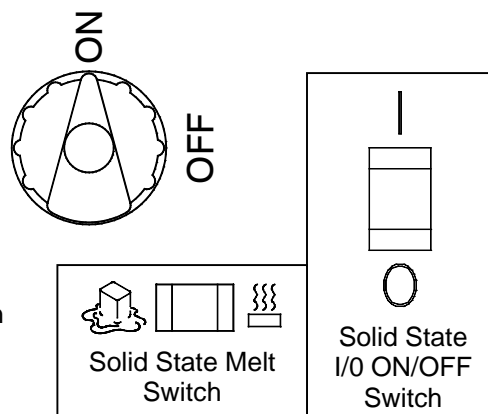
<p>WARNING Oil/shortening must completely cover the heat tubes at all times while appliance is on.</p>
<p>CAUTION This appliance is not designed for cooking with water. Fill with oil/shortening only.</p>

<p>WARNING During operation there is an open flame inside this appliance. The unit may get hot enough to set near by materials on fire. Keep the area around the appliance free from combustibles.</p>

1.8.2. LIGHTING INSTRUCTIONS

There is nothing to manually light on the electronic ignition system. Pilot ignition is performed and controlled by the electronic ignition system. Refer to the following instructions to light the appliance.

1. Open the gas supply valves to the appliance.
2. Turn the gas valve knob to the ON position.
3. Turn the controller on.



Solid State Thermostat:

Assure the Melt switch is in the correct position.
Turn the I/O (ON/OFF) switch to the I (ON) position

Computer and Digital Control:

Press the button to turn the controller on.

***The specified button may appear slightly different then shown. Refer to the operator's manual for your appliance's specific control type to determine the exact appearance of each button and display.**

4. The main burners will light and be controlled by the thermostat.

1.8.3. PILOT FLAME ADJUSTMENT

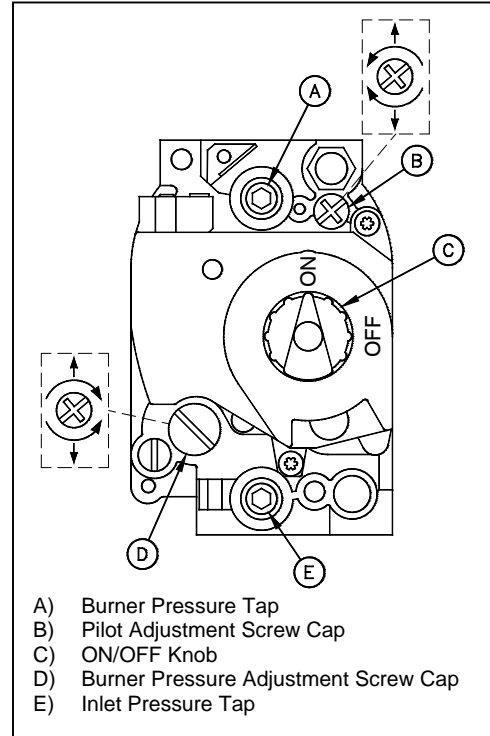
Perform this procedure with the pilot lit.

Note: This procedure requires the use of a DC microammeter.

1. Connect the DC microammeter between the flame sensor terminal and the flame sensor lead. Observe proper polarity: if the meter needle goes below 0, reverse the leads. The current reading must be $1.0 \mu\text{A}$ or greater, ($0.15 \mu\text{A}$ or greater for CE units).
2. Adjust the current reading to the required level by adjusting the pilot flame. Remove the pilot adjustment screw cap screw to expose the pilot adjustment screw. Turning the pilot adjustment screw clockwise will decrease the size of the pilot flame and flame sense current. Turning the pilot adjustment screw counterclockwise will increase the pilot flame size and the flame sense current.
3. Rotate the screw in the direction needed to achieve a reading of $1.0 \mu\text{A}$ or greater, ($0.15 \mu\text{A}$ or greater for CE units).

Note: Allow 3 to 5 minutes between flame adjustments to allow the reading to stabilize.

4. Once the pilot flame has been adjusted properly, replace the pilot adjustment screw cap screw and remove the microammeter.



1.8.4. MAIN BURNER SYSTEM ADJUSTMENT

For the main burners to operate the gas supply valve must be open and the thermostat must be turned on. The main power switch must be on. The main burners receive gas from the main gas supply through the thermostatically controlled valve. When the water temperature drops below the preset temperature the gas control valve opens.

The main burners must be adjusted to deliver optimum flame. Refer to the following procedure to adjust the main burners.

1. Ensure that the main gas valve is shut off, remove the manifold pressure tap plug and connect an accurate pressure gauge (range of 0-16 "W.C. (39.85mbar, 3.98kPa) in 0.1" (.25mbar, .02kPa) increments) or manometer.
2. Turn on this and all appliances connected to the gas supply line and light their main burners. The pressure reading of the installed pressure gauge should not drop from the required installation pressure. Any loss of pressure indicates inadequate supply line installation, which will cause poor performance of all appliances during peak usage.
3. The installed pressure gauge should be the same, ± 0.1 " W.C. (.25mbar, .02kPa), as that marked on the data plate on the inside door of the appliance. If the pressure is correct, go to step 6, if it is not, adjust the pressure as outlined in step 4.
4. To adjust the pressure, remove the regulator adjustment screw cap and, with a flat head screwdriver, adjust the regulator screw until the proper burner pressure is reached. Turning the screw clockwise will increase the burner pressure. Turning the screw counterclockwise will decrease the burner pressure.
5. When the pressure is correct, replace the regulator adjustment screw cover.
6. Turn off the ALL appliances, shut the main gas valve to your Pitco appliance and remove the pressure gauge. Apply pipe joint compound to the manifold pressure tap plug and reinstall it.

CAUTION

Be careful not to disturb the probe and high temperature limit during operation and cleaning of this appliance.

1.9. INITIAL CLEANING

When your appliance is shipped, many of its parts are covered with a thin coat of oil for protection. Before the appliance is ready for cooking it must be cleaned. This will remove the oil coating and any foreign matter that may have accumulated during storage and shipment. Refer to the following procedure to clean the appliance.

WARNING

Wear protective gloves and clothing when cleaning and draining the appliance and when disposing of water. The water is extremely hot and can cause severe injuries.

CAUTION

DO NOT leave the appliance unattended during cleaning. Never let the liquid level go below the heat tube.

1. Read the "operation" section of this manual prior to filling or operating the appliance.
2. The following steps should be followed using a grease dissolving commercial cleaner.

WARNING

Use a commercial grade cleaner formulated to effectively clean and sanitize food contact surfaces. Read the directions and precautionary statements before use. Particular attention must be paid to the concentration of cleaner and the length of time the cleaner remains on the food contact surfaces.

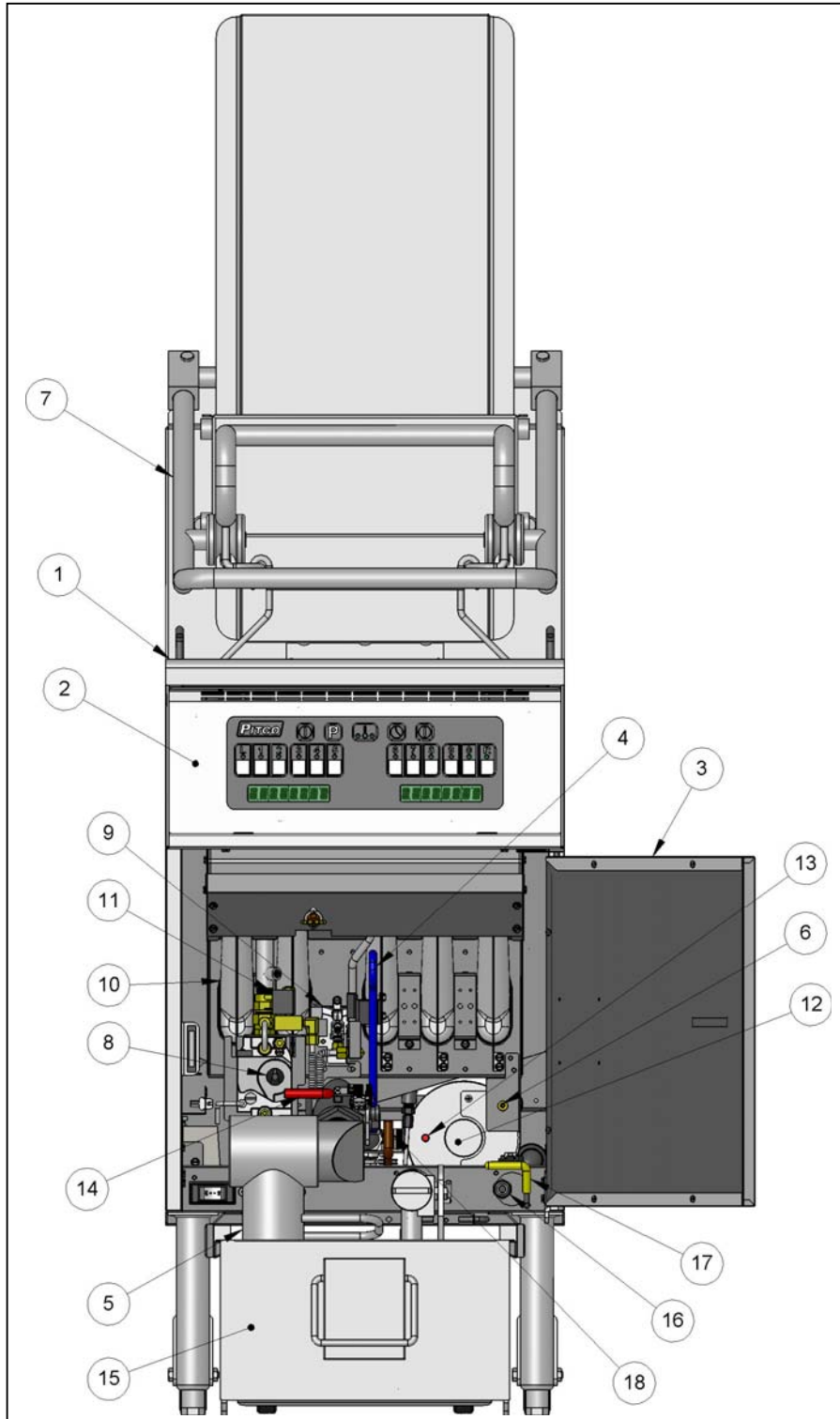
3. Following the manufacturer's directions, clean the tank interior and all other food contact surfaces.
4. When cleaning is complete, rinse the inside of the tank thoroughly with cool water. Continue to rinse the tank until the cleaner has been completely and thoroughly rinsed from the tank.
5. Using a clean dry cloth, wipe out all of the water.
6. Repeat the previous steps to clean the bread and batter station or filter pan if equipped.

2. OPERATION

An operator's manual for your appliance's specific control type should be included with this manual. Refer to that manual prior to operating this appliance.

2.1. OPERATIONAL FEATURES

The diagram below outlines some of the key operational components of your appliance. Refer to the following sections of this manual to learn more about these features.



2.1.1. BASIC OPERATIONAL FEATURES

1. Cook Tank**2. Front Panel**

If the appliance is equipped with a computer or digital controller, it will be located on the front panel.

3. Door (*Shown Open*)

Provides access to,

- the drain valve handle, tank drain outlet and high temperature reset button
- Solid State thermostat (if equipped).
- gas valve, pilot, burners, gas shutoff valve and self cleaning burner system (if equipped).
- Filter models: Filter pump, oil/shortening return handle and flush hose (if equipped).

4. Drain Valve Handle (*Blue*) (*Shown in the closed position*)

Opens the drain valve so oil/shortening can be drained from the cook tank.

If the drain valve interlock feature is equipped, the appliance will stop heating if the drain valve is opened.

5. Tank Drain Outlet

Oil/shortening exits the cook tank through the drain outlet when draining.

6. High Temperature Reset Button

This button may need to be pressed in the event that the high temperature limit has tripped.

7. Rack Lift Assist

Aids in lifting racks in and out of tank.

8. Gas Valve Knob

The gas valve controls the flow of gas to the pilot and burners. Turning the gas valve knob to the OFF position shuts off the gas supply to the pilot and burners

9. Pilot

The pilot lights the burners when the water in the cook tank requires more heat.

10. Burners

Heats the oil/shortening inside the cook tank.

11. Self Cleaning Burner System (*if equipped*)

The self cleaning burner system cleans the burners when the appliance is turned ON.

2.1.2. OPERATION FEATURES SPECIFIC TO MODELS WITH FILTERS.

12. Filter Pump

The filter pump is used to pump oil/shortening from the filter pan back into the cook tank or through the flush hose (if equipped).

13. Filter Pump Reset Button

This button may need to be pressed in the event that the filter pump circuit breaker has tripped.

14. Oil Return Handle (*Red*)

Oil exits the cook tank through the drain outlet when draining.

15. Filter Pan

Oil drained from the cook tank goes into the filter pan.

Filter media is located inside the filter pan.

16. Flush Hose Connection (*if equipped*)

Connect the flush hose here when using the flush hose feature.

17. Flush Hose Handle (*Yellow*) (*if equipped*)

Pulling this handle starts the flow of oil/shortening through the flush hose. Pushing the handle in will stop the flow of oil/shortening through the flush hose.

18. Waste Oil Management Handle (*Brown*) (*if equipped*)

Directs the oil to a waste oil container.

2.2. FILLING THE COOKER TANK

Both liquid and solid shortening can be used in this appliance, but liquid is preferred. If solid shortening is used it is recommended that you melt the shortening before adding it to the appliance. You can melt solid shortening in the appliance, but you must be very careful not to scorch the shortening.

Tank Capacity	
Model	Capacity
SG6H	85 lbs. (38 kg)

CAUTION
This appliance is NOT designed for cooking with water.
Fill with oil or shortening only.

2.2.1. FILLING THE TANK WITH LIQUID SHORTENING

To fill the tank with liquid shortening refer to the following procedure.

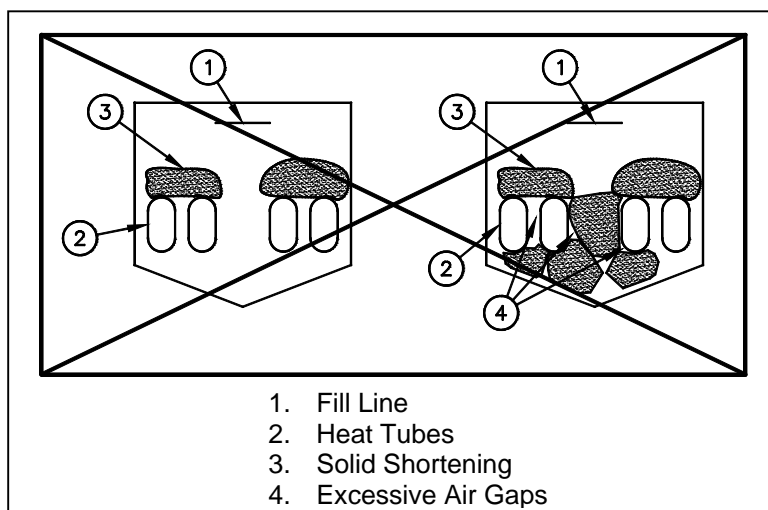
1. Ensure that the drain valve is completely closed and that there is no residual moisture in the tank.
2. Fill the tank with oil. You may fill the tank to the "MIN LEVEL" mark or slightly below the nominal level mark: the oil will expand slightly when it heats up, raising the level slightly.

2.2.2. FILLING THE TANK WITH SOLID SHORTENING

To fill the tank with solid shortening refer to the following procedure.

WARNING
NEVER melt blocks of solid shortening on top of the heat tubes. This will cause a fire and could result in personal injury.

1. Remove the tank rack.
2. Cut the solid shortening into cubes no larger than one inch. ALWAYS pack the shortening below, between, and on top of the burner tubes. Do NOT leave any large air gaps.



Use care when packing the solid shortening into the tank. Do NOT bend or break the temperature or high limit sensor probes. If these are damaged the appliance will not function properly.

3. Once the appliance tank is firmly packed with shortening, the shortening must be melted. Melt the shortening by cycling the main burners on for 4 seconds and off for 30 seconds repeatedly, using the thermostat knob. If your appliance has a Melt Cycle option, use this to melt the shortening automatically.

WARNING
Oil/shortening must completely cover the heat tubes at all times while appliance is on.

2.3. APPLIANCE START UP

Refer to the following procedure to start the appliance prior to operation.

1. Ensure that the drain valve is closed.
2. Fill the cook tank with oil/shortening. (See section 2.2 "Filling the Cook Tank")
3. Light the appliance. (See "Lighting Instructions" section)


WARNING
NEVER operate the appliance with an empty fry tank. It will void the warranty.

4. If the appliance is equipped with a controller, turn the controller on.

Solid State Thermostat:

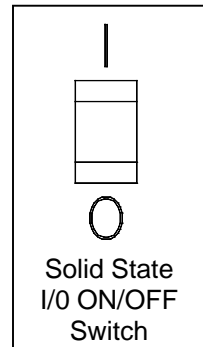
Turn the I/O (ON/OFF) switch to the I (ON) position

Computer and Digital Control:

Press the * button to turn the controller on.

**The specified button may appear slightly different than shown.*

Refer to the operator's manual for your appliance's specific control type to determine the exact appearance of each button and display.



5. If the appliance is equipped with a thermostat knob, turn the knob to the desired temperature setting.
6. The appliance is now on and heating the oil/shortening in the cook tank.

WARNING
Oil/shortening level should NOT be allowed to fall below the minimum indicated level line at any time. Dry firing of the fry tank will shorten tank service life and will void your warranty.

2.4. COOKING

To ensure the quality of the food you cook in this appliance, follow the preparation instructions from the food manufacturer. When the appliance is not in use, the oil/shortening should be cooled and covered to prevent contamination. A maximum load of 1.5 lbs. (0.7kg) per basket is recommended. Exceeding this recommendation may affect food quality and could cause surge boiling.

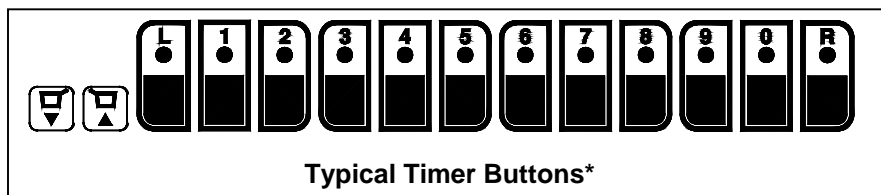
WARNING

Dry fired heat tubes are extremely hot, will shorten its service life and may void your warranty.

2.4.1. TIMER OPERATION

Not all control types include timers. Timers provide accurate cook times for multiple product quantities and types. Refer to the operator's manual for your appliance's specific control type to determine how to set the cook timers if equipped.

To start a timer: Press the appropriate timer button.



2.4.2. ADDITIONAL CONTROLLER FUNCTIONS

Some controllers have additional functions not described in this manual. If your appliance's controller has additional functions, refer to the controller's operation manual to access these functions.

****The specified buttons and/or displays may appear slightly different than shown. Refer to the operator's manual for your appliance's specific control type to determine the exact appearance of each button and display.***

2.5. COOKING TIPS

- ✓ Always follow the food manufacturer's directions.
- ✓ The lower the oil temperature, the longer the cooking time and the greater the fat absorption.
- ✓ NEVER overfill fryer baskets. Overfilling can result in soggy, greasy product.
- ✓ When removing baskets from the cook tank, shake gently to remove excess oil.
- ✓ Never leave a basket over the fryer. The heat from the cook tank will continue to cook the product.
- ✓ Oil/shortening quality can effect product quality. Keep salt and water away from the oil/shortening to maintain its life. Oil/shortening filtration removes crumbs from the oil which will also extend its life.

Fry Thickness	350F	360F	370F
Thin	2:45	2:30	2:15
medium	3:45	3:30	3:15
Thick	4:15	4:00	3:45

This table is for reference only. Please refer to the product manufacturer's specifications to determine exact cook temperatures and times.

2.6. APPLIANCE SHUTDOWN

There are two shutdown modes of appliance operation: STANDBY and COMPLETE. The standby mode removes the ability of the appliances main burners to operate. Complete shutdown turns off the gas supply to the appliance. Refer to the following procedures to enter the appropriate shutdown mode.

2.6.1. STANDBY MODE

1. Turn the temperature controller or thermostat OFF.

Solid State Thermostat:

Turn the I/O (ON/OFF) switch to the I (OFF) position

Computer and Digital Control:

Press and hold the * button to turn the controller OFF.

***The specified button may appear slightly different than shown. Refer to the operator's manual for your appliance's specific control type to determine the exact appearance of each button and display.**

WARNING
NEVER leave the appliance in standby mode for prolonged periods or overnight.

2.6.2. COMPLETE SHUTDOWN

1. Turn the temperature controller or thermostat OFF.

Solid State Thermostat:

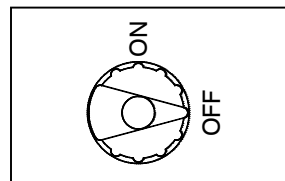
Turn the I/O (ON/OFF) switch to the I (OFF) position

Computer and Digital Control:

Press and hold the * button to turn the controller OFF.

***The specified button may appear slightly different than shown. Refer to the operator's manual for your appliance's specific control type to determine the exact appearance of each button and display.**

2. Turn the ON/OFF knob on the gas valve clockwise to the OFF position.
3. The appliance is now completely shut down and can be cleaned if desired.



3. PREVENTATIVE MAINTENANCE

3.1. DAILY PREVENTATIVE MAINTENANCE

Performing the preventative maintenance steps below on a daily basis will keep your equipment safe and at peak performance. During the cooking process, oil/shortening may spill and splatter and requires immediate attention. Furthermore, during the cooking process, particles, crumbs and crackling collect inside the cooker tank reducing product quality and decreasing oil/shortening life. If you are producing high quantities of fried food and/or frying heavily battered food, it may be necessary to perform these steps more than once a day.

WARNING

Filtering may require contact with hot surfaces. Wear oil proof insulated gloves while performing any filtering operation. Serious injury could result from direct contact with hot surfaces and/or oil.

3.1.1. FILTERING WITH A FILTER DRAWER (IF EQUIPPED)

Refer to the following procedure to filter when the appliance is equipped with a filter drawer.

1. Turn the appliance OFF.
2. Pull the blue drain handle down to drain oil/shortening from the cooker tank into the filter pan.
3. Pull the red handle to turn the pump on to circulate oil/shortening through the filter media.
4. To refill the tank, lift the blue drain handle up.
5. When the tank has completed filling, push the red handle to deactivate the pump.
6. Assure that the oil/shortening level is above the minimum level line. Additional oil may need to be added to the cook tank.
7. The oil/shortening in the cooker tank has now been filtered.
8. Replace the filter media and clean the filter pan following the procedures mentioned in this manual.

3.1.2. FLUSH HOSE OPERATION (IF EQUIPPED)

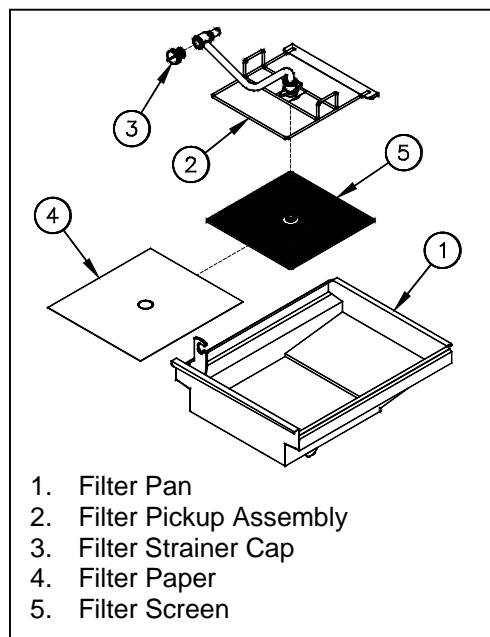
The cooker tank can be rinsed cleaned by using a filter flush hose (if equipped). Refer to the following procedure to operate the filter flush hose.

1. Turn the appliance OFF.
2. Pull the blue drain handle down to drain oil/shortening from the cooker tank into the filter pan.
3. Connect the filter flush hose to the quick connecting fitting.
4. Point the filter hose nozzle outlet into the cooker tank.
5. Pull the yellow handle to turn the pump on and allow oil/shortening to flow through the flush hose.
6. To refill the tank, lift the blue drain handle up.
7. When the tank has completed filling, push the yellow handle to deactivate the pump.

3.1.3. REPLACING THE FILTER MEDIA (IF EQUIPPED)

Refer to the following procedure to replace the filter media if the appliance is equipped with a filter drawer.

1. Detach the pickup tube from the filter pickup assembly by unscrewing it (counterclockwise), at the knurled fitting, from the threaded fitting on the filter screen.
2. Slide off the filter paper clip and remove used filter paper from filter screen. Replace with new filter paper, ensuring that the hole in the paper is on the top, so that threaded fitting in filter screen protrudes through it.
3. Fold filter paper to the underside of the filter screen and replace filter paper clip.
4. Re-attach filter pickup tube to the filter screen by screwing it (clockwise) into the threaded fitting in filter screen.
5. Reinstall the filter pickup assembly into the filter system by placing the newly covered screen portion of the assembly into the filter pan and connecting the quick disconnect on the filter pickup assembly into white donut fitting on the left-hand side of the appliance. Ensure that it snaps tightly and securely into donut fitting.



1. Filter Pan
2. Filter Pickup Assembly
3. Filter Strainer Cap
4. Filter Paper
5. Filter Screen

WARNING

The power supply must be disconnected before cleaning and servicing this appliance!

3.1.4. APPLIANCE INSPECTION

- ✓ Check that the high temperature limit and temperature probe are in the correct position and secured in place.
- ✓ Check that wires and cords are not frayed or loose in and out of the cabinet.
- ✓ Check around the appliance for loose parts or accessories that need to be secured or other foreign items (ex: Aerosol cans) that should be removed from the area.
- ✓ Check for oil/shortening leaks around the in and out of the cabinet and around the appliance.

WARNING

Wear protective gloves and clothing when cleaning and draining the appliance and when disposing of water. The water is extremely hot and can cause severe injuries.

3.1.5. CLEANING THE COOK TANK

1. Turn the appliance off. Drain all the oil/shortening from the tank and allow the tank to cool.

WARNING

Read the operation section of this manual prior to filling or operating the appliance.

2. Remove baskets, tank rack and basket hanger for cleaning.

WARNING

DO NOT leave the appliance unattended during cleaning.

3. Using the cleaning brush, remove all the loose debris and scrub all tank surfaces.
4. For tougher carbonized oil/shortening and carbon buildup scrub tank using a Scotchbrite or other abrasive pad.
5. Wipe residue with a clean damp cloth and carefully dry any remaining oil/shortening droplets from the tank before returning oil/shortening into the tank.
6. Clean and dry baskets, tank rack and basket hanger before reinstalling.

3.1.6. CLEANING THE CABINET

1. Wipe any spilled oil/shortening, dust and lint from the cabinet exterior with a clean damp cloth and a mild food grade detergent. Be careful not to get any water or detergent in the oil/shortening. Use a nonabrasive pad for tougher stains if needed.
2. Remove detergent from all surfaces.
3. Cleaning the interior cabinet requires a clean cloth to remove any oil/shortening, dust, lint or filter powder (i.e.: Magnesol) from the interior of the cabinet.

3.1.7. FILTER CLEANING (IF EQUIPPED)

1. Unscrew filter strainer cap from pickup tube and gently tap it to dislodge any crumbs from the slots. Use a clean cloth to remove any remaining crumbs and reattach.
2. Scrape all loose debris and crumbs from filter pickup assembly and filter pan with the filter scoop shovel.
3. Remove filter pickup and place in pot sink, power soak sink or dishwasher for cleaning. Be sure to rinse thoroughly and dry all surfaces before re-assembly.
4. Wipe the filter pan with clean damp cloth and a food grade detergent. If necessary place pan in pot sink to rinse all the detergent from the surfaces and dry all surfaces before re-assembly.

3.2. WEEKLY PREVENTATIVE MAINTENANCE

Performing the preventative maintenance steps above on a daily basis will keep your equipment clean and safe. On a weekly basis these additional steps should be performed.

1. Turn the fryer off. Allow the oil/shortening to cool to before pulling the fryer away from the hood. Hint: This maintenance may be ideal to perform on the day the oil/shortening is being changed so no oil/shortening is present in the tank or filter.
2. Disconnect the power cord(s), gas hose and retention lanyard.
3. Wearing your protective gear, pull the fryer away from the hood.
4. Check that vent hood drip cup is empty and not dripping oil/shortening into the flue.
5. Check that the hood baffles are clean and not dripping oil/shortening into the flue.

6. Clean the fryer sides, back and the flue area, it may be necessary to use a non-abrasive pad to scour and a putty knife to scrape the oil/shortening buildup. With a clean damp cloth and food grade detergent wipe the area clean.
7. Wipe up any excessive oil/shortening on the power cord(s) and gas hose with a dry cloth.
8. Check flue pipe for any foreign debris/object and remove if found.
9. Reattach power cord(s), gas hose, retention lanyard and push fryer back under the hood.

3.3. MONTHLY PREVENTATIVE MAINTENANCE



Food debris and oil/shortening can buildup inside the tank. Performing the monthly preventative maintenance steps below will keep your equipment safe and at peak performance. If you are producing high quantities of fried food and/or frying heavily battered food, it may be necessary to clean these components more than once a month.

3.3.1. BOIL OUT PROCEDURE

Wear protective gloves and clothing when cleaning and draining the appliance. Oil/shortening may spatter and will cause injury to personnel.

1. Read the "operation" section of this manual prior to filling or operating the appliance.
2. Turn the appliance off. Drain all the oil/shortening from the tank and allow the tank to cool. The container must also be able to withstand 400°F (205°C) temperatures.
3. Remove baskets, tank rack and basket hanger for cleaning.
4. Remove and discard any large debris inside the tank.
5. Close the drain valve and fill the tank with potable water to the level lines.
6. Place the appliance into boil mode:

Models with Solid State Thermostat: Put the thermostat into boil mode by flipping the power switch in the following order (I - O - I - O - I) within 3 seconds. The power (green LED) and heating (yellow LED) will be lit and the check (yellow LED) flashing.

Models with Digital Control: Turn the appliance ON. Press the  key and the  key simultaneously to enter boil mode.

Models with Computer: Turn the appliance ON. The controller will recognize that there is water in the tank and automatically enter boil mode. To enter boil mode manually, press the Temp Key then keys 2, 1, 2 for degrees F or 1, 0, 0. for degrees C.

7. Once the water reaches a simmer, add 8 to 10 ozs (227 to 283 g) of Pitco cleaner for every 25 lbs (11.3 kgs) of oil/shortening your fryer is rated to hold.
8. Simmer for 1 minute. (The water should never be allowed to boil as this may splash over the tank side and cause permanent damage to the components.)
9. Turn the appliance OFF and allow the fryer to soak for 15 to 30 minutes, allowing the cleaner to soften the oil/shortening deposits and carbon.
10. Scrub the inside of the tank using a cleaning brush safe for hot water. Care must be taken to remove all the foreign material on the tank, sidewalls and other components in the tank.
11. Drain the water from the tank.

12. Once the tank has cooled, rinse with clean potable water thoroughly.
13. Remove all remaining water and residue with a clean dry cloth.
14. Clean and dry baskets, tube rack and basket hanger before reinstalling
15. Close the drain valve and fill the cooker tank with oil/shortening.

3.3.2. TEMPERATURE CHECK

1. Use a high grade pyrometer or digital thermometer suitable for temperature up to 380°F. Place the thermometer in the oil above the tip of the fryer's temperature probe with in 1". Be sure not to touch the heat tube since this will measure incorrect temperatures.
2. Check that the controllers setpoint and thermometer is within +/- 5°F. If your measurement are off, re-measure again before contacting an Authorized Service Company for further assistance.

3.4. ANNUAL/PERIODIC PREVENTATIVE MAINTENANCE AND INSPECTION

This section should ONLY be performed by a qualified service technician as part of a regular kitchen maintenance program. This inspection should take place a minimum of once a year by an Authorized Service Technician recommended by Pitco. It may be necessary perform this inspection more then once a year.

WARNING
The power supply must be disconnected before cleaning and servicing this appliance!

3.4.1. SAFETY EVALUATION

- ✓ Check power cord and plug.
- ✓ Check all exposed wiring connections, switches, and indicator lights.
- ✓ Check legs, casters, wheels, plate welds and ensure all nuts and bolts are secured. (if equipped)
- ✓ Check conditions of flexible gas line and verify fryer retention / lanyard system is in place.

3.4.2. MECHANICAL INSPECTION

- ✓ Check frypot for shortening leaks and excessive oil build up
- ✓ Check for oil migration (Clean as required)
- ✓ Check hood drain cup, ensure it is empty and not dripping into the flue.
- ✓ Check hood baffle for clean surface, oil/water condensate can drip on and into the flue.
- ✓ Check flue for foreign debris and hood down draft currents.
- ✓ Check drain/filtration system (if equipped) for leaks
- ✓ Check for missing fryer parts, i.e.: cover strips
- ✓ Check for missing fasteners

3.4.3. TEMPERATURE CONTROL SYSTEM

- ✓ Check electrical connections and harnesses
- ✓ Check temperature probes and limits for carbon build up and plating. Clean as required
- ✓ Check proper mounting of probes and sensors and all fasteners are secure.
- ✓ Check thermistor probe resistances for stability.
- ✓ Check DVI Drain Valve Interlock drops out controller.
- ✓ Check Controller/thermostat features to ensure they are functioning.
- ✓ Check Temperature Calibration

3.4.4. FILTER SYSTEM (IF EQUIPPED)

- ✓ Check electrical connections and harnesses.
- ✓ Check IEC power cords are fully engaged and secure.
- ✓ Check for any air or shortening leaks and for excessive oil build-up.
- ✓ Check O-Ring on filter pickup tube and replace as needed.
- ✓ Check filter strainer on pickup tube.
- ✓ Check operation of drain valve and DVI drain valve interlock.
- ✓ Check operation of return oil valve and its pump switch.
- ✓ Check operations of flush hose quick disconnect (if equipped), clean and lubricate as needed.
- ✓ Check all hardware in filter pan.
- ✓ Check filter operation by filtering the fryers.
- ✓ Check pump motor amp draw compare to nameplate amperage.
- ✓ Check pump and motor, clean any excess oil from pump assembly.
- ✓ Check all filter hoses for leaks and integrity.

3.4.5. CONTROL BOX & ELECTRICAL COMPONENTS

- ✓ Verify that all components (transformer, terminal block, relays, drain switches, etc...) are in good condition. Verify that wires are tight and in good condition.
- ✓ Verify enclosures are free of leaks. Check for water stains and wet surfaces.
- ✓ Verify that the covers and panels are in tact and provide a safe condition. Check for loose parts.
- ✓ Verify power cord is in good condition. Check for frayed or exposed wires. Verify that the insulation is in good condition and the attachment to the appliance is tight.

3.4.6. GAS COMBUSTION SYSTEM

- ✓ Check for gas leaks.
- ✓ Check and clean vent tube on gas valve pressure regulator.
- ✓ Check burners, clean debris and grease from pilot and pilot orifice tips.
- ✓ Check self cleaning burner system (if equipped) that it activates when the appliance is turned on and NOT during normal cooking & idle periods.
- ✓ Check and adjust burner manifold gas pressure to nameplate reading.
- ✓ Check incoming gas pressure when all gas appliances are on.
- ✓ Check ignition system and adjust pilot flame as required.
 - Check flame sensor reading.
 - Check gap spacing and clean igniter.
- ✓ Recheck for gas leaks after inspection.

3.5. VENTILATION HOOD

Proper ventilation hood operation is very important for the correct operation of this appliance and the safety of personnel. The ventilation hood should be inspected at the time of installation of this appliance to insure that it will operate properly in conjunction with the appliance. A regular schedule of examination, in accordance with ANSI/NFPA 96 latest edition and/or local codes must be followed.

4. TROUBLESHOOTING

4.1. POWER FAILURE

If electric power is removed for any reason, the appliance will shut down.

Wait five minutes after the power is restored before attempting to restart the appliance. This will allow time for any gas that may have accumulated in the burner or tubes to dissipate.

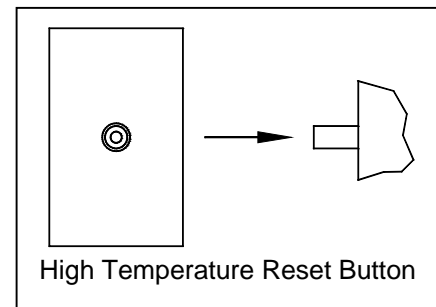
To restart the appliance, follow the appliance start up procedure in section 2.2.

CAUTION
DO NOT attempt to operate this appliance during a power outage.

4.2. HIGH TEMPERATURE LIMIT

This appliance is equipped with a high temperature limit switch. The high temperature limit switch will stop the appliance from functioning if the internal cook tank reaches an unsafe temperature. In the event that the high temperature limit has tripped, Please refer to the following procedure to reset the switch.

- a. Turn the appliance off.
- b. Allow the appliance ample time to cool to room temperature.
- c. Add oil/shortening to the cook tank as needed.
- d. Press the high temperature reset button if equipped.
- e. The high limit switch is now reset and the appliance is ready for start up.



WARNING
DO NOT add oil/shortening to the tank until it has been given ample time to cool down. Failure to do so may result in damage to the appliance and/or injury to the operator.

4.3. DRAIN VALVE INTERLOCK

If your appliance is equipped with a drain valve interlock circuit, the appliance will stop heating if the tank drain valve is opened. If your appliance is equipped with a float switch, the appliance will stop heating if the oil/shortening level reaches an unsafe height. In some cases the appliance will turn off. Refer to the following procedure to resume operation after the drain valve interlock is tripped.

1. Turn the appliance OFF (if not already OFF).
2. Close the tank drain valve and fill the tank with oil/shortening.
3. Turn the appliance ON.

4.4. SELF CLEANING BURNER SYSTEM (NOT ON ALL MODELS)

If your appliance is equipped with the self cleaning burner system, the appliance should behave as outlined in the table below. A cleaning cycle will execute every time the appliance is turned "ON" from an "OFF" state. The thermal cut out switch is designed to disable the appliance if the Self Cleaning Burner System malfunctions and remains activated for an extended period of time or if there is a downdraft into the flue or a blocked flue situation.

Event	Duration	Indication
Turn appliance "ON"	N/A	Control Illuminates, pilot sparks and ignites. Pre-Purge pulse is initiated.
Pre-Purge Pulse	2 seconds	Appliance operates briefly and stops. Pilot remains lit.
Interwaiting period 1	5 seconds	Appliance does not operate. Pilot remains lit.
Cleaning Pulse	6 seconds	Main valve operates, lighting main burners. SCBS valve operates, feeding gas to the SCBS Arm. The SCBS arm ignites, initiating a brief burn at the main burner orifice of each burner.
Interwaiting period 2	8 seconds	The Main and SCBS valves de-energize for this period. The pilot remains lit.
Normal operation resumes	N/A	The appliance operates normally and begins to heat up. The SCBS Valve remains de-energized until power to the appliance is recycled. There is no flame on the SCBS Arm. There is no burn at the main burner orifices.

4.5. TROUBLESHOOTING CHARTS

4.5.1. FRYER TROUBLESHOOTING CHART

Problem	Probable Causes	Corrective Actions
Controller does not activate.	No power to appliance.	Check main building power supply.
	Controller not turned on.	Turn on controller.
	Power Cord loose or not connected.	Connect power cord.
	Main circuit breaker to appliance has tripped.	Reset circuit breaker
	Appliance fuse has blown.	Contact Authorized Service Company.
Controller is on and appliance will not heat up.	High temperature limit has tripped.	Allow appliance to cool and reset High temperature limit.
	SCBS thermal limit switch has tripped.	Depress button on thermal limit switch to reset. If problem continues, Contact Authorized Service Company.
Appliance will not maintain temperature properly.	Faulty temperature probe.	Contact Authorized Service Company.
	Faulty High temperature limit.	Contact Authorized Service Company.
Computer display shows off and can not be turned on.	Faulty computer	Contact Authorized Service Company.

4.5.2. FILTER TROUBLESHOOTING CHART (IF EQUIPPED)

Problem	Probable Causes	Corrective Actions
Filter pump does not activate.	Filter pump circuit breaker has tripped.	Reset circuit breaker.
Oil/shortening is returning to the tank slowly or not at all.	Dirty filter paper	Change filter paper.
	Strainer cap dirty	Remove strainer cap and clean.
	Filter pan not pushed in completely.	Push filter pan in.
Excessive air bubbles are in the oil being returned to the tank.	Pickup tube screen not tight.	Tighten pickup tube screen cap.
	Pickup tube screen cap missing	Locate and install pickup tube screen cap.
	Filter pan not pushed in completely	Push filter pan in to complete connection.
Drain valve is closed, but the computer controller still displays "DRAINING"	Blue drain valve handle not completely closed	Verify that drain valve handle is completely closed.
	Improperly adjusted or defective drain switch.	Contact Authorized Service Company.

4.6. COMPUTER & DIGITAL CONTROLLER DISPLAYS (IF EQUIPPED)

If your appliance is equipped with a computer or digital controller it may display the following messages on its display.

Display	Explanation	Action
CH	Appliance is in melt cycle	Continue with melt cycle or exit melt cycle to return to normal operation.
HEAT	Oil/shortening temperature is low.	Wait for appliance to heat up.
drop	The cook tank has reached the set temperature.	Appliance is ready to start cook cycle.
LoC	Indicates program mode is password protected.	Enter password or wait for controller to exit program mode.
Prob	Incorrect probe reading.	Contact Authorized Service Company.
HI	Oil/shortening has reached an unsafe temperature.	Turn off appliance. Allow ample time for appliance to cool before turning on.
	Incorrect probe reading.	Contact Authorized Service Company.
draining Turn off	Drain valve is open while controller is on.	Turn off appliance. Close drain valve before turning appliance back on.
IGNITION FAILURE	Ignition system has locked out.	Contact Authorized Service Company.
OFF	Controller is OFF.	Turn controller on.



In the event of problems with or questions about your order, please contact the Pitco Frialator factory at:
(603) 225-6684 World Wide
Website Address: www.pitco.com

In the event of problems with or questions about your equipment, please contact the Pitco Frialator Authorized Service and Parts representative (ASAP) covering your area, or contact Pitco at the numbers listed to the left.

MAILING ADDRESS – P.O. BOX 501, CONCORD, NH 03302-0501
SHIPPING ADDRESS – 10 FERRY ST., CONCORD, NH 03301

L20-332, rev. 1 (05/11)