



IMPORTANT FOR FUTURE REFERENCE

Please complete this information and retain this manual for the life of the equipment:

Model #: _____

Serial #: _____

Date Purchased: _____

ENGLISH

Exploded Parts Manual

VF35 Gas Fryer Models





TO THE PURCHASER, OWNER AND STORE MANAGER

Please review these warnings prior to posting them in a prominent location for reference

Post in a prominent location the instructions to be followed in the event that an operator smells gas. Obtain this information from your local gas supplier.

WARNING
DO NOT store or use gasoline or other flammable vapors and liquids in the vicinity of this or any other appliance.

WARNING
Improper installation, alteration, service or maintenance can cause property damage, injury or death. Read the installation, operating and maintenance instructions thoroughly before installing or servicing this appliance.

WARNING
Installation, maintenance and repairs should be performed by a Pitco Authorized Service and Parts (ASAP) company technician or other qualified personnel. Installation, maintenance or repairs by an unauthorized and unqualified personnel will void the warranty.

WARNING
Installation and all connections must be made according to local codes in force. In the absence of local codes in North America, the installation must conform with the National Fuel Gas Code, ANSI Z223.1/NFPA 54 or the Natural Gas and Propane Installation Code CSA B149.1 as applicable. In Australia, the appliance must be installed in compliance with AS/NZS 5601.

WARNING
During the warranty period if a customer elects to use a non-original part or modifies an original part purchased from Pitco and/or its Authorized Service and Parts (ASAP) companies, this warranty will be void. In addition, Pitco and its affiliates will not be liable for any claims, damages or expenses incurred by the customer which arises directly or indirectly, in whole or in part, due to the installation of any modified part and/or received from an unauthorized service center.

WARNING
This appliance, when installed, must be electrically grounded in accordance with local codes, or in the absence of local codes, with the National Electrical Code, ANSI/NFPA 70, or the Canadian Electrical Code, CSA C22.2, as applicable

WARNING
Adequate means must be provided to LIMIT the movement or this appliance without depending on the gas or electrical cord connection. Single appliances equipped with legs must be stabilized by installing anchor straps. All appliances equipped with casters must be stabilized by installing restraining chains.

WARNING
DO NOT alter or remove structural material on the appliance to accommodate placement under a ventilation hood.

WARNING
If the appliance is equipped with a power cord and it is damaged, it must be replaced by a Pitco Authorized Service and Parts (ASAP) company technician, or a similarly qualified person in order to avoid a hazard.

WARNING
The power supply must be disconnected before servicing, maintaining or cleaning this appliance.

WARNING
The appliance is NOT jet stream approved. DO NOT clean the appliance with a water jet.

WARNING
DO NOT attempt to move this appliance or transfer hot liquids from one container to another when the unit is at operating temperature or filled with hot liquids. Serious personal injury could result if skin comes in contact with the hot surfaces or liquids.

WARNING
DO NOT use an open flame to check for gas leaks!

WARNING
DO NOT sit or stand on this appliance. The appliance's front panel, tank, splash back, tank cover, work shelf, drain board is not a step. Serious injury could result from slipping, falling or contact with hot liquids.

WARNING
NEVER use the appliance as a step for cleaning or accessing the ventilation hood. Serious injury could result from slips, trips or from contacting hot liquids.

WARNING
The oil/shortening level should NOT fall below the minimum indicated level line at any time. The use of old shortening can be dangerous as it will have a reduced flash point and be more prone to surge boiling.

WARNING
The contents of the crumb catch and/or filter pan of any filter system must be emptied into a fireproof container at the end of the frying operation each day. Some food particles can spontaneously combust into flames if left soaking in certain oil/shortening materials.

WARNING
Completely shut the appliance down when shortening/oil is being drained from the appliance. This will prevent the appliance from heating up during the draining and filling process. Serious injury can occur.

WARNING
This appliance is intended for indoor use only.

WARNING
DO NOT operate appliance unless all panels and access covers are attached correctly.

WARNING
It is recommended that this appliance be inspected by a qualified service technician for proper performance and operation on a yearly basis.

WARNING
There is an open flame inside this appliance. The unit may get hot enough to set nearby materials on fire. Keep the area around the appliance free from combustibles.

WARNING
DO NOT supply the appliance with a gas that is not indicated on the data plate. If you need to convert the appliance to another type of fuel, contact your dealer.

WARNING
If gas flow to appliance is interrupted, or pilots extinguish, wait 5 minutes before attempting to relight the pilot to allow any residual gas in appliance to dissipate.

WARNING
Ensure that the appliance can get enough air to keep the flame burning correctly. If the flame is starved for air, it can give off a dangerous carbon monoxide gas. Carbon monoxide is a clear odorless gas that can cause suffocation.

WARNING
Never add oil to the appliance when it is at operating temperature. Splashing hot oil can cause severe injuries.

WARNING
Never add water to hot oil. Violent boiling can occur causing severe injury.

WARNING
This appliance is intended for professional use only and should be operated by fully trained and qualified personnel.

WARNING
To avoid splashing of hot liquid when installed, this fryer must be restrained either by the manner of installation, or with adequate ties to prevent tipping.

WARNING
An appliance equipped with casters and a flexible gas line must be connected to the gas supply with a quick disconnect device. In North America, gas appliances equipped with casters must be installed with connectors that comply with the Standard for Connectors for Movable Gas Appliances, ANSI Z21.69.CSA 6.16 Latest Edition. This connection should include a quick disconnect device that complies with the Standard for Quick Disconnect Devices for Use With Gas Fuel ANSI Z221.41.CSA 6.9 Latest Edition. In Australia, an appliance equipped with casters and a flexible gas line must be connected to the gas supply with a quick disconnect device that complies with AS 4627. The hose must comply with AS/NZS 1869 and be class B or D and have a restraining cable. The restraining cable must not exceed 80% of the length of the flexible gas line.



NOTICE

In the event of problems or questions about your order, contact the Pitco Frialator factory at (603) 225-6684.

In the event of problems or questions about your equipment, contact the Pitco Frialator Authorized Service and Parts representative (ASAP) covering your area, or contact Pitco at the number listed above.

Mailing Address

Pitco Frialator
P. O. Box 501
Concord, NH 03302-0501

Shipping Address

Pitco Frialator
10 Ferry Street
Concord, NH 03301

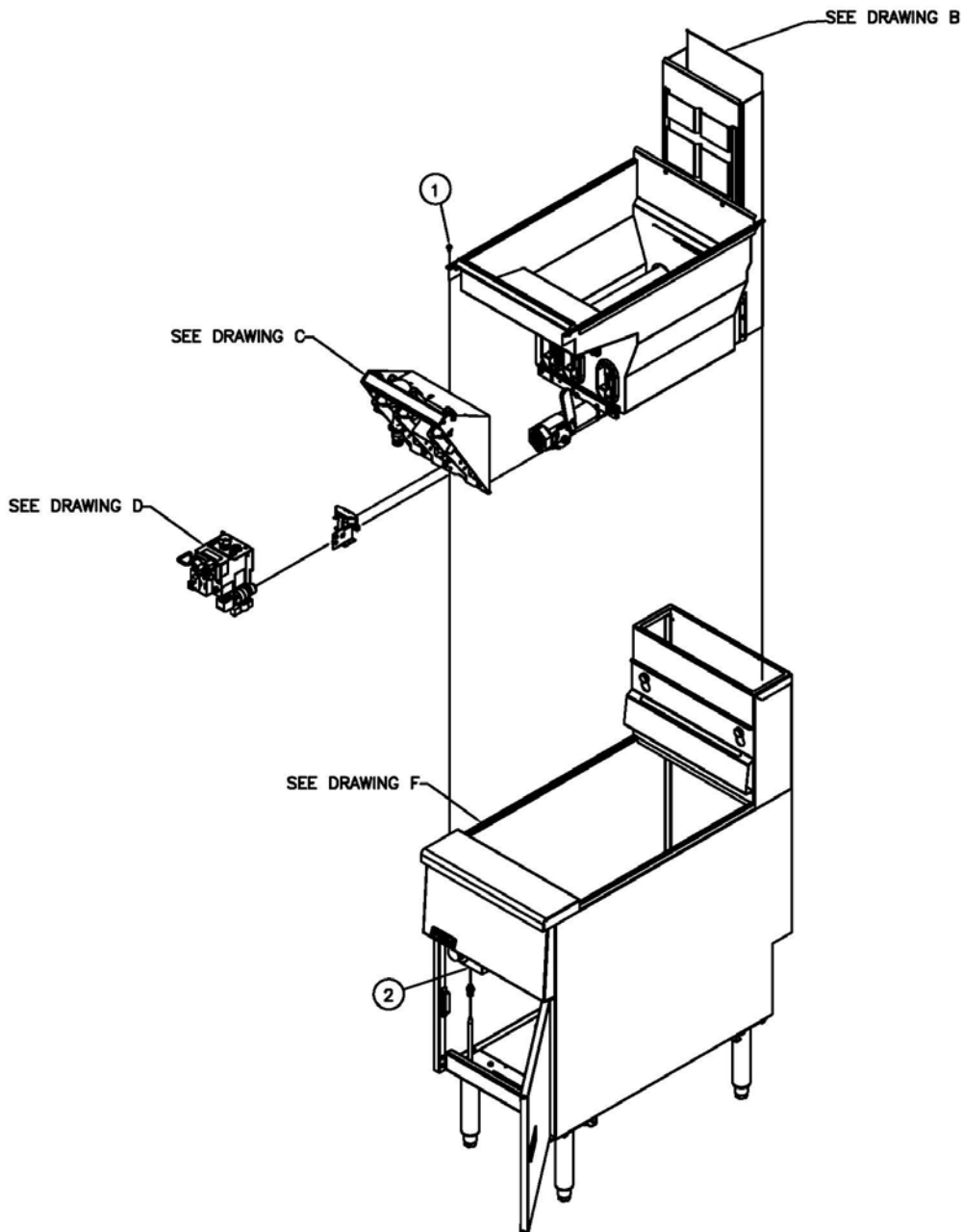
TABLE OF CONTENTS

A) FRYER EXPLODED VIEWS.....	5
FRYER EXPLODED PARTS LIST/VIEW	5
B) TANK & FLUE	6
TANK & FLUE EXPLODED PARTS LIST/VIEW	6
C) BURNER ASSEMBLY	7
BURNER ASSEMBLY EXPLODED PARTS LIST/VIEW.....	7
D) GAS TRAIN.....	8
GAS TRAIN DRAWING PARTS LIST	8
GAS TRAIN DRAWING VIEW.....	9
E) GAS CONVERSION KITS	10
GAS CONVERSION KITS QUICK REFERENCE	10
GAS CONVERSION KITS QUICK REFERENCE DRAWING	11
F) STANDARD CABINET DRAWING.....	12
STANDARD CABINET DRAWING LIST	12
STANDARD CABINET PARTS DRAWING.....	13
G) ACCESSORIES.....	14
ACCESSORIES DRAWING PARTS.....	14
ACCESSORIES DRAWING PARTS LIST	15

A) FRYER EXPLODED VIEWS

Fryer Exploded Parts List/View

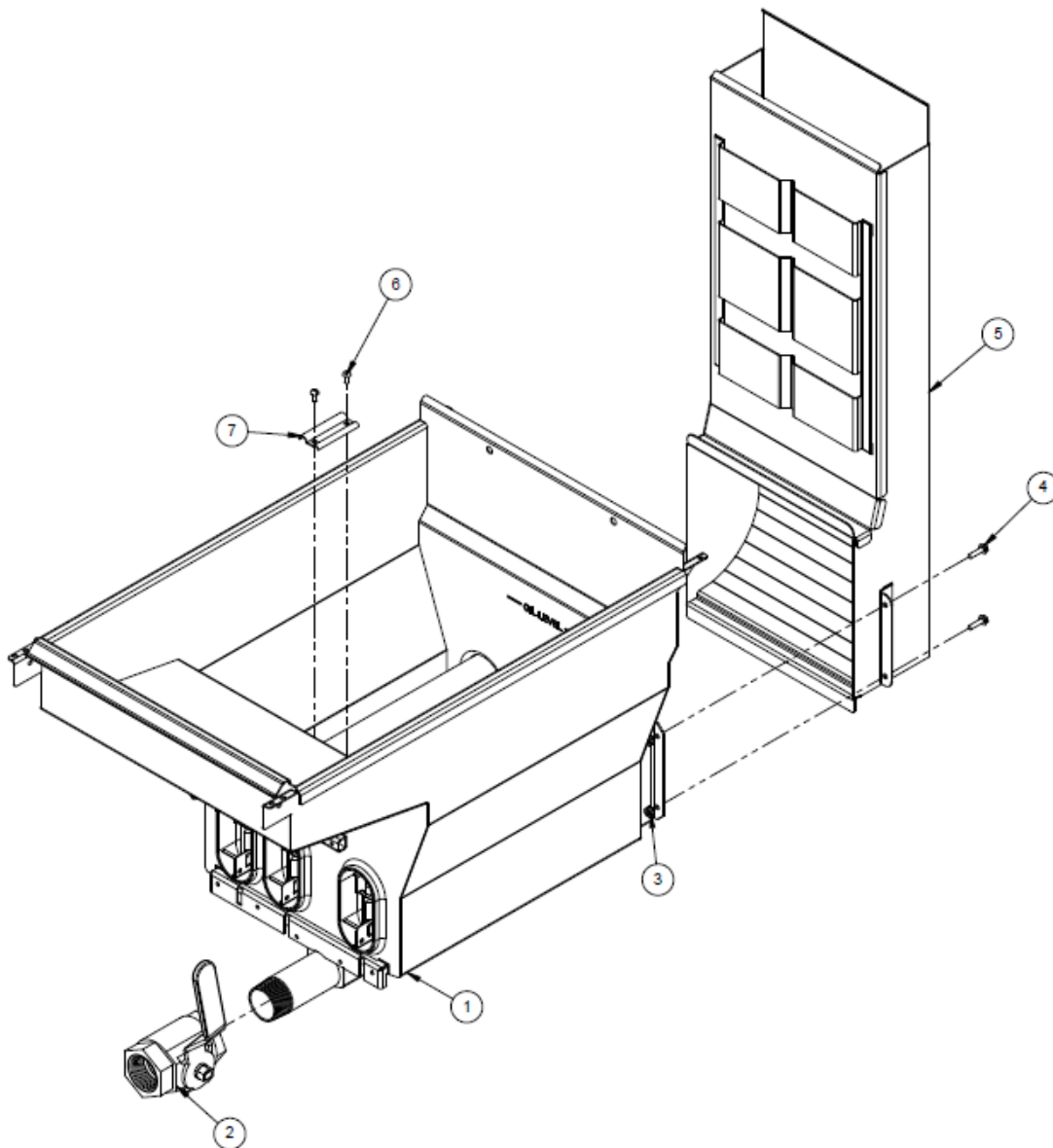
ITEM #	PART	PART DESCRIPTION
1	PP10023	SCR,10-24 X 3/8 SLF TAP
2	B8030101	PG,ASSY HI-LIM & TSTAT SG14
See Drawing B	Tank & Flue	Page 6
See Drawing C	Burner Assembly	Page 7
See Drawing D	Gas Train	Page 8-9
See Drawing E	Gas Conversion	Page 10-11
See Drawing F	Cabinet Assembly	Page 12/13
See Drawing G	Accessories	Page 14/15



B) TANK & FLUE

Tank & Flue Exploded Parts List/View

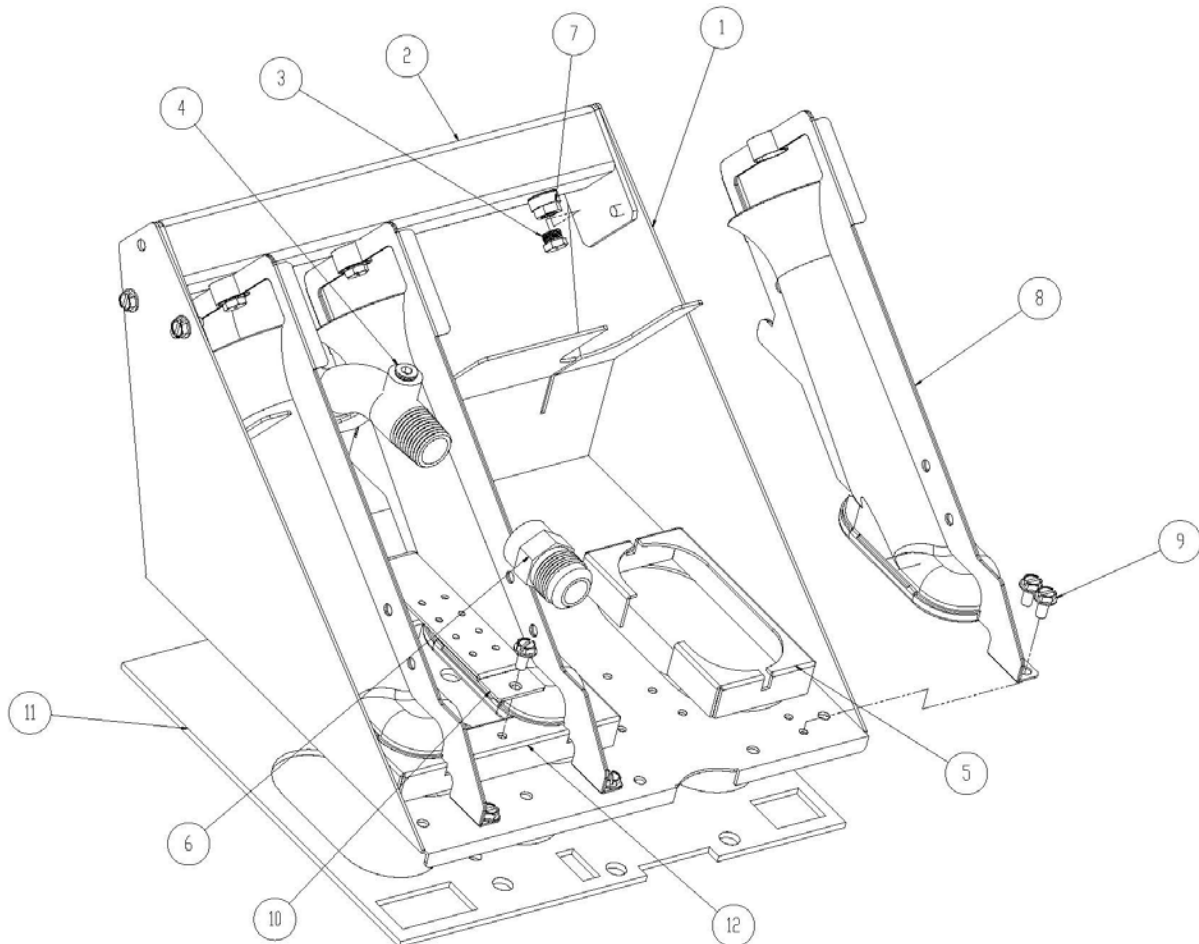
ITEM #	PART	PART DESCRIPTION
1	B3333301	TK,WLDMT VF35
2	PP10368	VLV,BALL 1-1/4INCH NONLOCKING
3	P0092300	NUT, HEX 10-24 KEP ZN
4	P0075400	SCR,10-24 X 1/2 SELF TAP
5	B3506301	FL,WLDMT VF35
6	PP11326	SCR,#14 X 1-1/2 HEX WH TAP
7	A1406702	CLP,LIM/TSTAT



C) BURNER ASSEMBLY

Burner Assembly Exploded Parts List/View

ITEM #	PART	PART DESCRIPTION
1	A8033201	PIPING, BURNER BRACKET SGC
2	B8035301	PIPING, MANIFOLD WELDMENT
3	A7513706	ORIFICE, 2.2MM NAT
	P6071354	PG,BNR VF35 #54 ORF LP
4	N/A	PLUG, STEEL .125 MNPT RECESSED
5	A8031701	PIPING, BURNER SHIELD-NAT
	A8034901	PIPING, BURNER SHIELD-LP
6	60127501	FITTING, ADAPTER MALE FLARE X .500 FPT
7	60129701	FITTING, BURNER
8	B8041901	PIPING, BURNER INCONEL 601 SCREEN SG-NAT
	B8046101	PIPING, BURNER INCONEL 601 SCREEN SG-LP
9	N/A	SCREW, 10-24 X .375 SELF TAPPING
10	A8031601	PIPING, CROSSOVER
11	A8047601	PG,GSKT BNR BRKT SGC,VF35
12	A8031701	PIPING, BURNER SHIELD, LH -NAT
	A8034901	PIPING, BURNER SHIELD, LH - LP

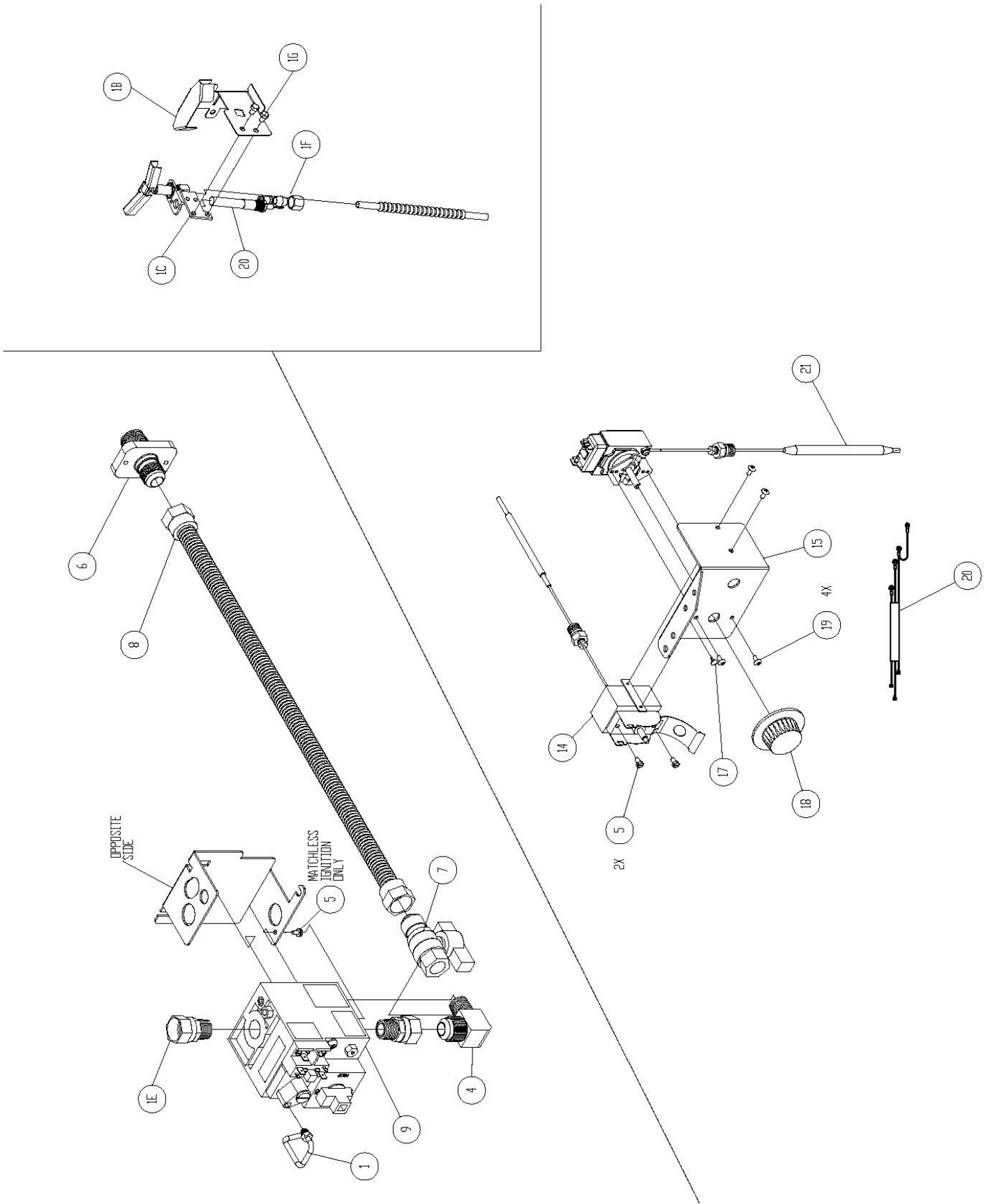


D) GAS TRAIN

Gas Train Drawing Parts List

ITEM#	PART#	PART DESCRIPTION
1	60125901	TUBE, VENT GAS VALVE
2	60127601	FITTING, ADAPTER FEMALE SWIVEL X 1/2 MPT
3	A8029001-C	PIPING, VALVE SHIELD
4	60127401	FITTING, ELBOW MALE FLARE X MPT
5	P0007300	SCREW, 8-32 X 1/4 HEX HEAD SLOTTED ZN
6	A8029105	COUPLING, GAS SUPPLY SHORT SG, MKG
7	60128101	VALVE, GAS SUPPLY SHUTOFF
8	60128015	TUBING, FLEXIBLE WITH FITTINGS 22 GAS
9	60125201-C	VALVE, GAS VS820 NAT
	60125202-C	VALVE, GAS VS820 LP
10	A8035302	PIPING, PILOT BRACKET SG14 SG14R
11	60128801	PILOT, REVERSE STANDING NAT SG
	60128802	PILOT, REVERSE STANDING LP SG
12	60119001	TUBE, FLEXIBLE WITHOUT FITTINGS 18 X 1/4 OD
13	60088001	SCREW, 10-32 X 1/4 HEX HEAD SST
14	PP10084	SWITCH, HI-LIMIT LCM05030
15	A8028601-C	PIPING, BRACKET HI-LIMIT-THERMOSTAT SG MILLIVOLT
16	60125501	THERMOPILE, MILLIVOLT
17	P0190700	CLIP, CANOE FASTEX
18	PP10539	KNOB, THERMOSTAT WITH OFF, 200-400F & 100-200C
19	PP10687	SCREW, 6-32 X 3/16 THRUSS HEAD PHILLIPS ZN
20	B6744401	WIRING, MILLIVOLT HI-LIMIT & THERMOSTAT SG
21	60125401	THERMOSTAT, RX MILLIVOLT 200-400F

Gas Train Drawing View

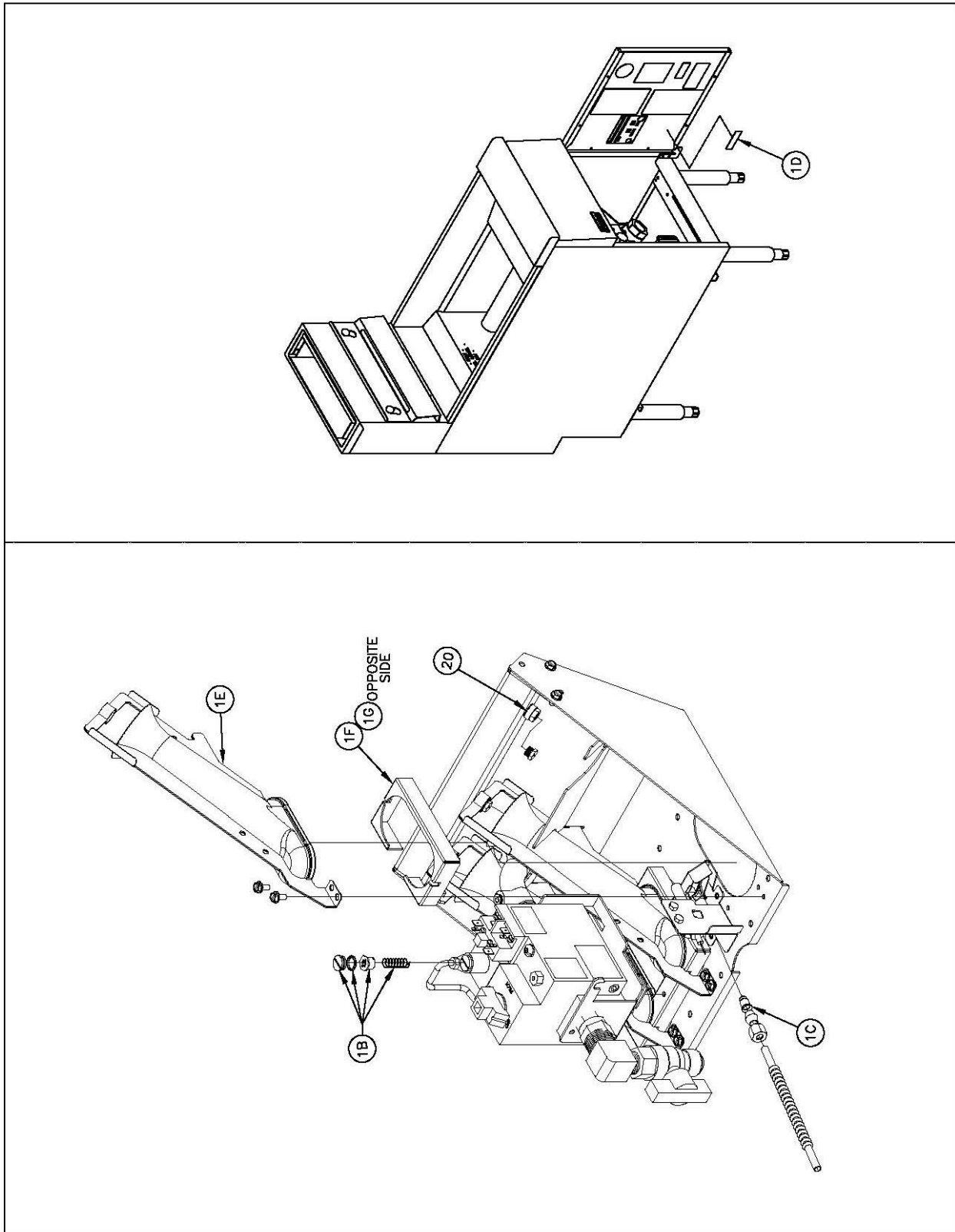


E) GAS CONVERSION KITS

Gas Conversion Kits Quick Reference

NATURAL TO LP			
ITEM #	PART #	PART DESCRIPTION	QTY
1	B8043267-C	PG, CONV VF35 NAT TO LP	
1A	P6071354	ORIFICE TIP #54 DIA	3
1B	60126502	GAS VALVE CONV KIT VS820 NAT TO LP	1
1C	P6071665	ORFICE PILOT SPUD LP .016 DIA	1
1D	PP10426	GAS CONV NOTICE LABEL NAT TO LP	1
1E	B8046101	PG, BNR INC 600, 20X20 SCRN	3
1F	A8034905	PG, COLLAR BNR LP ST MG, SGH	1
1G	A8034901	PG, COLLAR BNR LP FT LH MG, SGH	1
LP TO NATURAL			
ITEM #	PART #	PART DESCRIPTION	QTY
1	B8043266-C	PG, CONV VF35 LP TO NAT	
1A	A7513706	ORIFICE TIP 2.2MM	3
1B	60126501	GAS VALVE CONV KIT VS820 LP TO NAT	1
1C	P6071666	ORFICE PILOT SPUD NAT .022 DIA	1
1D	PP10427	GAS CONV NOTICE LABEL LP TO NAT	1
1E	-	-	-
1F	A8031801	PG, BNR SHLD SG14T*	1
1G	A8031701	PG, BNR SHLD LH DG14	1

Gas Conversion Kits Quick Reference Drawing

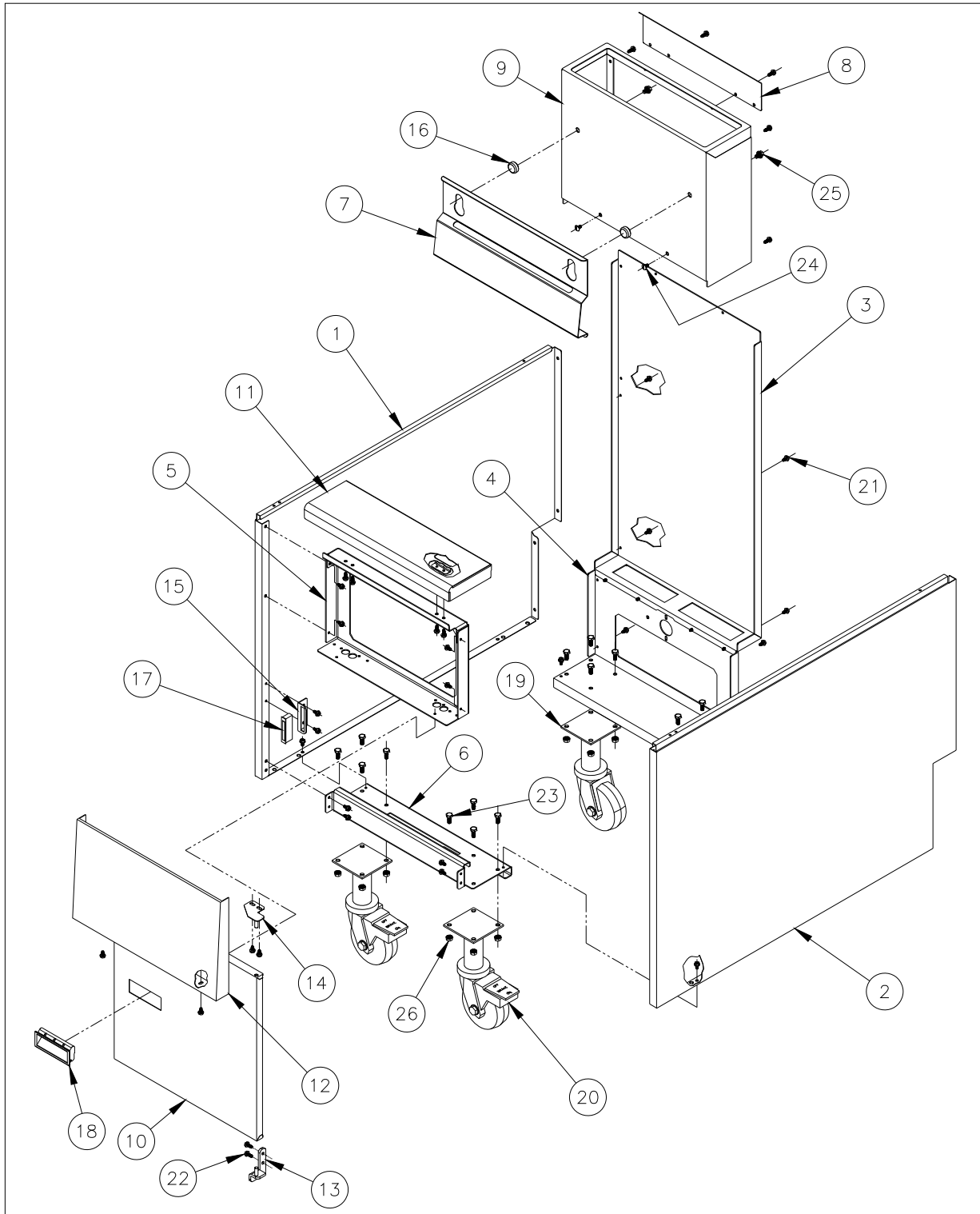


F) Standard Cabinet Drawing

Standard Cabinet Drawing List

ITEM #	PART #	PART DESCRIPTION
1	A1512002-C	CABINET SIDE LEFT-HAND
2	A1512004-C	CABINET SIDE RIGHT-HAND
3	A1635101-C	CABINET BACK SG14,SG14R,SG14T
4	A1635201-C	CABINET BACK BOTTOM SG14,SG14R,SG14T
5	A1849601-C	CABINET FRONT SPACER SG14,SG14R,SG14T
6	A1235201-C	CABINET FRONT BOTTOM BRACE SG14,SG14R,SG14T
7	A1105402-C	BASKET HANGER SG14,SG14R,SG14T
8	A3526002-C	FLUE REAR HEAT DEFLECTOR SG14
9	A4106902-C	SPLASH BACK SG14,SG14R,SG14T
10	B2304101-C	DOOR ASSEMBLY SG14,SG14R,SG14T
11	B3630901-C	FRONT PANEL TOP DECK WELDMENT SG14,SG14R,SG14T
12	B3632301-C	FRONT PANEL ASSEMBLY SG14,SG14R,SG14T
13	B3801801	HINGE WELDMENT LOWER RIGHT HAND SG*
14	B3802401	HINGE WELDMENT UPPER RIGHT HAND SG*
15	A1847002	BRACKET MAGNETIC CATCH
16	60132001	STUD SPLASH BACK SCREW ON
17	P6071300	MAGNETIC CATCH STANDARD
18	PP11006	HANDLE DOOR RECESSED PLASTIC
19	SEE DRAWING G	CASTER SWIVEL 9" NON-LOCKING
20	SEE DRAWING G	CASTER SWIVEL 9" LOCKING
N/A	SEE DRAWING G	LEG SET W/HARDWARE 9" (4-PACK)
21	PP10023	SCREW 10-24 X 3/8 SELF TAPPING
22	P0075400	SCREW 10-24 X 1/2 SELF TAPPING
23	P0020600	SCREW 1/4-20 X 5/8 HEX HEAD CAP ZN
24	60125801	SCREW 10-24 X 3/8 TRUSS HEAD SLOTTED LOCKING SST
25	60118201	BOLT 1/4-20 X 3/8 HEX FLANGE HEAD
26	P0093300	NUT HEX (KEP) 10-24 ZN
27 NOT SHOWN (INCLUDES ITEMS: 1-6 & 21)	B1822302-C	CABINET ASSEMBLY STAND ALONE SG14,SG14R,SG14T

Standard Cabinet Parts Drawing

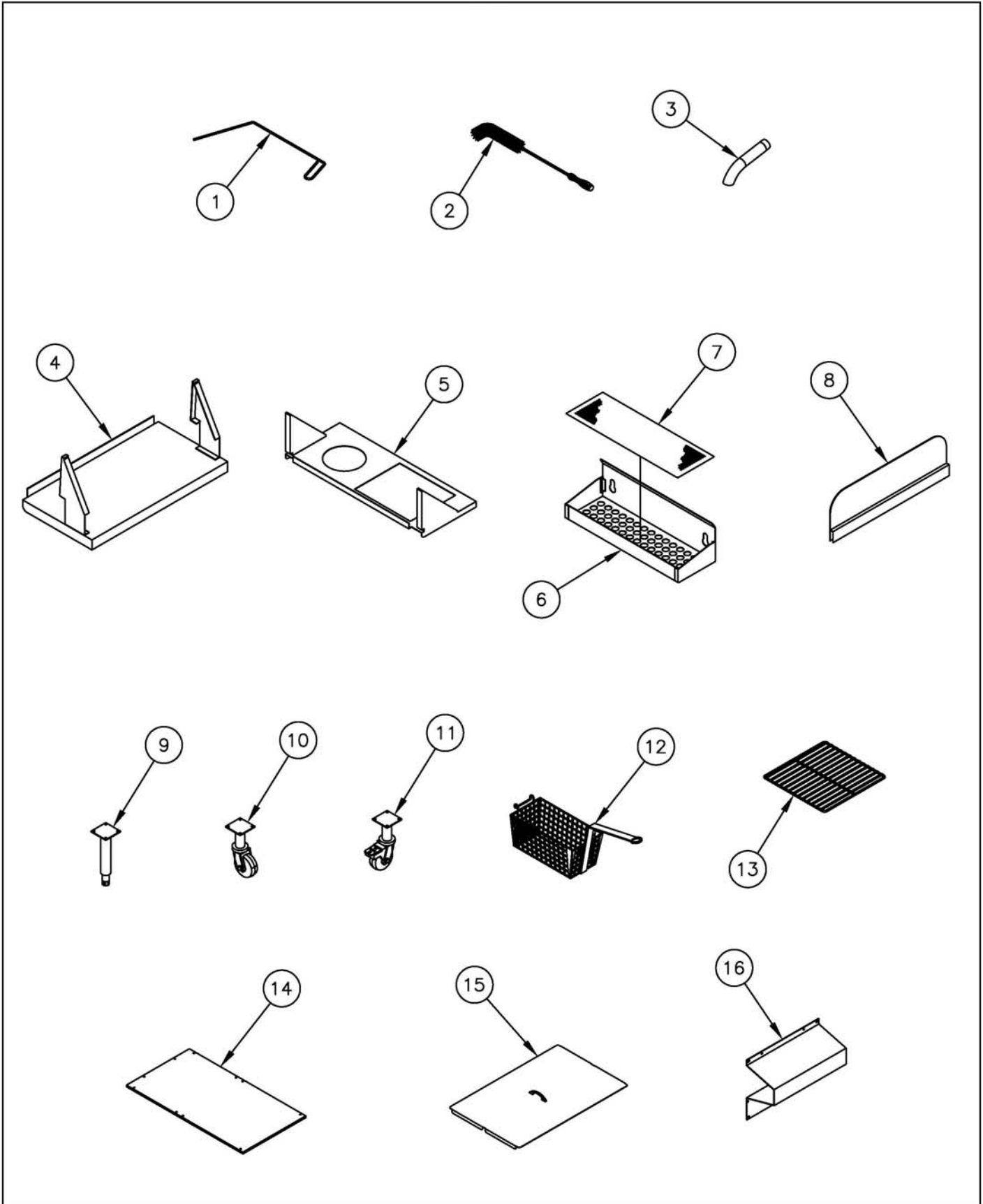


G) ACCESSORIES

Accessories Drawing Parts

ITEM #	PART #	PART DESCRIPTION
1	A3301001	CLEAN-OUT ROD
2	PP10056	CLEANING BRUSH NYLON
3	A2510101	DRAIN EXTENSION
4	CONTACT PITCO	FRONT WORKSHELF
5	CONTACT PITCO	SIDE WORKSEHELVE/DRAINBOARD
6	CONTACT PITCO	REAR WORKSHELF
7	CONTACT PITCO	REAR WORKSHELF INSERT
8	CONTACT PITCO	SPLASH GUARD SIDE
9	60132401	9" LEG
	B3900704	9" LEG SET OF 4 WITH HARDWARE
	60115301	9" LEG WITH BOTTOM BOLT FLANGE ADJUSTABLE
10	PP10814	9" CASTER NON-LOCKING
	B3901504	9" CASTER SET OF 4 (2 LOCKING, 2 NON-LOCKING)
	B3902302	9" RIGID CASTER NON-LOCKING
11	PP10815	9" CASTER LOCKING
	B3902304	9" RIGID CASTER LOCKING
12	P6072145	TWIN BASKET
	P6072146	TWIN BASKET FINE MESH
	P6072147	TRIPLE BASKET SG14, SG14R
	P6072143	SQUARE BULK BASKET FRONT HANDLE
	P6072144	SQUARE BULK BASKET FINE MESH FRONT HANDLE
13	P6073148	TUBE RACK
	A4500201	TUBE SCREEN
	B7425301-C	FISH GRID SG14
14	A1842302-C	CABINET BACK
15	B2101518-C	TANK COVER ASSEMBLY
16	A3340601-C	TANK BACK STANDOFF SG14

Accessories Drawing Parts List





In the event of problems with or questions about your order, please contact the Pitco Frialator factory at

(603) 225-6684 World Wide
www.pitco.com

In the event of problems with or questions about your equipment, please contact the Pitco Frialator Authorized Service and Parts representative (ASAP) covering your area, or contact Pitco at the numbers listed to the left.

MAILING ADDRESS – P.O. BOX 501, CONCORD, NH 03302-0501
SHIPPING ADDRESS – 10 FERRY ST., CONCORD, NH 03301