



4184 E. Conant st.
 Long Beach, CA 90808
 Tel. 800-500-3519
 Fax. 310-900-1066
www.turboairinc.com

Project :	
Model # :	
Item # :	Qty :
Available W/H :	
Approval :	

Meat Grinder *High Volume and Heavy Duty*

Model : GG-22



≡ FEATURES & BENEFITS ≡

- **Gear driven screw motor**
 German Knife's heavy-duty meat grinder provides years of maintenance free operation. Powerful 1.5 HP motor with gear drive can be fed at a rapid pace with continuous chopping action with no crushing or mashing of the meat.
- **Ergonomic style hand wheel ring**
 Comfortable and stable ergonomic hand wheel ring on the bowl assembly.
- **Stainless steel polished food contact zone**
 The bowl assembly and feed tray food contact surface are stainless steel.
- **Sealed gear box**
 The gear box uses a sealed oil bath system to lubricate the gears and minimize water damage.
- **Removable bowl assembly and feed tray**
 The bowl assembly and feed tray which contact the food are easily removed and cleaned without the use of tools.
- **Safety**
 The bowl assembly uses a safety opening eliminating the possibility of injury to the operator.



Model	Diameter of Knife (inches)	Foot Print (inches)	Crated Weight (lbs.)	L x D x H (inches)
GG-22	3	16 3/4 x 8 5/8	101	13 x 26 1/8 x 16 1/2

Meat Grinder

High Volume
and Heavy Duty

Model : GG-22

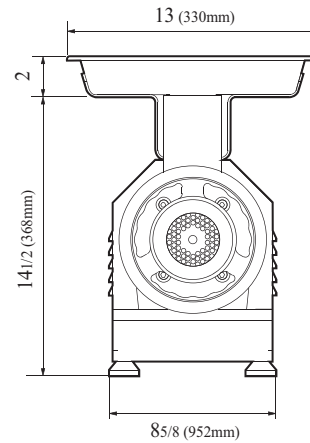
ELECTRICAL DATA	
Motor	1.5 HP • 1PH • AC115V • 60Hz
Capacity	660 lbs/h
DIMENSIONAL DATA	
Ext. Length Overall (in.)	13 (330mm)
Ext. Depth Overall (in.)	26 ¹ / ₈ (664mm)
Ext. Height Overall (in.)	16 ¹ / ₂ (419mm)
Foot Print (in.)	16 ³ / ₄ x 8 ⁵ / ₈
Diameter of Knife (in.)	3
Gross Weight (lbs.)	101

Design and specifications subject to change without notice.
Actual shipping weight may differ due to extra packing materials for product protection.

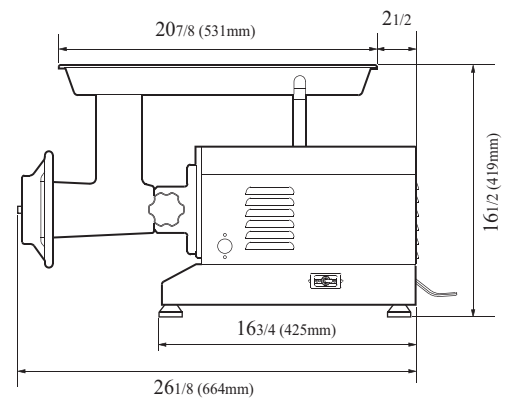
■ **WARRANTY : 2 Year Parts and Labor Warranty**

PLAN VIEW

(unit : inch)



FRONT VIEW



SIDE VIEW

Ver.201601



- Turbo Air : 800-627-0032
- GK : 800-500-3519
- Warranty : 800-381-7770
- AC : 888-900-1002