



## SUPER DECK GS/DS SERIES GAS DECK OVENS



**DS -805**  
with optional casters

### SPECIFICATIONS

BAKERS PRIDE Super Deck GS/DS gas Deck Ovens are designed for high volume pizza and all-purpose operations.

Ovens may be stacked two high. Oven exteriors are all heavy-gauge, type 403 stainless steel and are fully insulated up to 5" (127mm) thick for cooler outer temperatures and consistent interior temperatures.

Interior oven frame is constructed of 1/4" (6mm) heavy-duty angle iron frame, completely welded to form a single, unitized section. The oven body and lining are then welded to the framework.

Oven interiors are manufactured of high-heat resistant 16-gauge aluminized steel. Doors are fully insulated, spring balanced with tubular steel handles and will remain open or closed until moved.

All models feature independent, operator-controlled top & bottom heat control dampers and micro slides for perfectly balanced results.

GS/DS Series features a 300°-650° F (149°-343°C) throttling thermostat, 6 3/4" (171mm) interior deck height with 1 1/2" (38mm) thick Cordierite hearth stone decks (steel decks optional) and are supported by a 1/4" (6mm) angle iron frame.

Combination gas control incorporates a manual gas valve, pilot safety and pressure regulator. Easily removable, slide-out, heavy-duty flame diverters distributes the burner flame uniformly in the burner chamber. A 3/4" (19mm) NPT gas connection is located on the left side and left rear of oven - operator/installer may choose.

Heavy-duty, 7-gauge hot rolled steel legs are standard and finished with durable Bakertone Gray.

2 Year limited part and labor warranty standard.

Job \_\_\_\_\_ Item # \_\_\_\_\_

### GAS DECK OVENS



- Model GS-805 Single
- Model GS-990 Double

---

- Model DS-805 Single
- Model DS-990 Double

### STANDARD FEATURES

- GS Series @ 60,000 BTUH per deck and DS Series @ 70,000 BTUH per deck, natural or LP gas — LP not available on CE models
- 300°-650° F (149°-343°C) throttling thermostat
- Top & bottom heat control dampers & micro-slides
- Combination gas controls with valve, regulator & pilot safety
- Heavy-duty, slide-out flame diverter
- 6 3/4" (171mm) interior deck heights with 1 1/2" (38mm) thick hearth stone decks
- All stainless steel exteriors
- Aluminized steel interiors
- Spring balanced, fully insulated doors
- Side or rear gas connections — installers choice
- 7-Gauge legs finished in Bakertone Gray
- Fully insulated throughout
- 2 Year limited part and labor warranty

### OPTIONS & ACCESSORIES

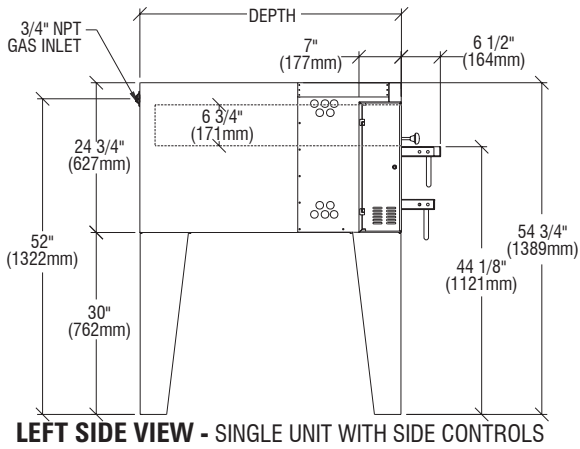
- Steel decks in lieu of hearth stone decks
- 150°-550° F (65°-288°C) thermostat
- Set of 4 casters - two with locks
- Stainless steel leg covers
- Special height legs
- Automatic oven starter
- Draft flue for direct vent (not available on CE units)
- Light stone decks

### CERTIFICATIONS

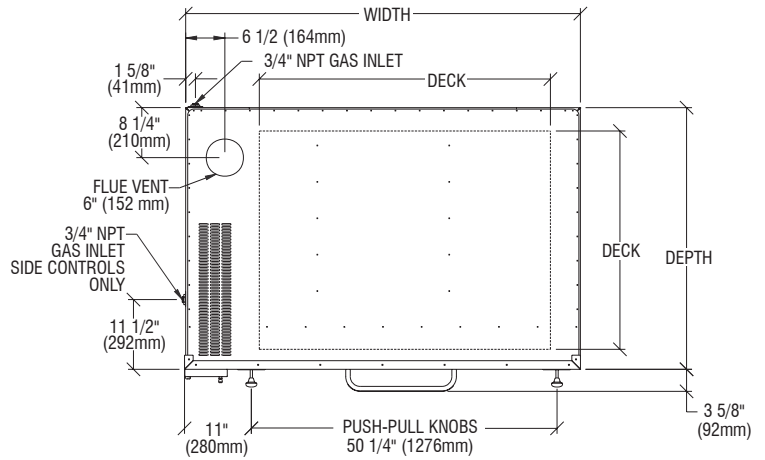


BAKERS PRIDE OVEN COMPANY, INC.  
30 Pine Street, New Rochelle, NY 10801  
914/576-0200 • 1-800-431-2745 • fax 914/576-0605  
www.bakerspride.com

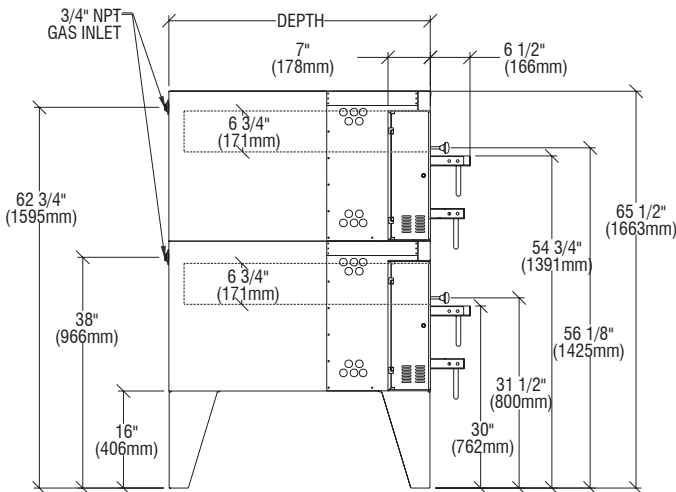
*Continuous product improvement is a policy of Bakers Pride Oven Company. Therefore, specifications and design are subject to change without notification*



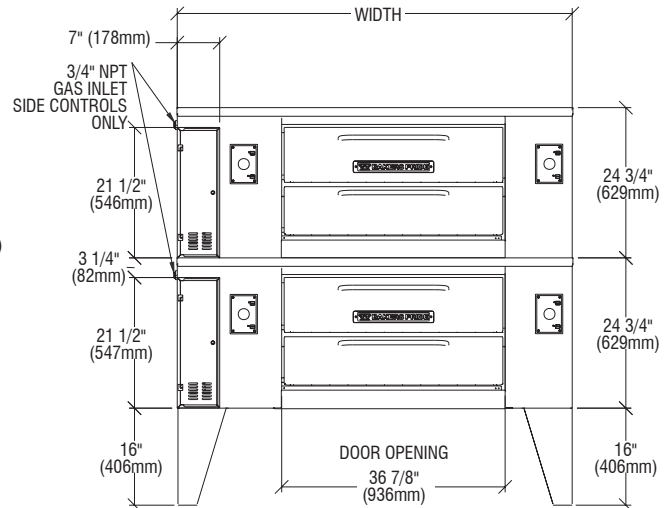
**LEFT SIDE VIEW - SINGLE UNIT WITH SIDE CONTROLS**



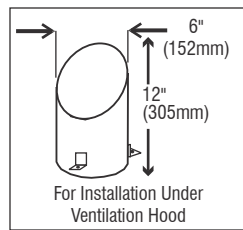
**TOP VIEW**



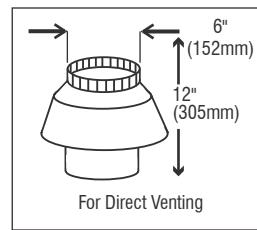
**LEFT SIDE VIEW - STACKED UNIT WITH SIDE CONTROLS**



**FRONT VIEW - STACKED UNIT WITH FRONT CONTROLS**



**STANDARD**



**MUST BE SPECIFIED AT TIME OF ORDER**

*ALL DIMENSIONS NOMINAL*

Model	Shipping Weight		Carton Dimensions				Crate Size			
	Lbs.	Kilos	Inches	mm	Inches	mm	Inches	mm		
GS-805	905	410	31	787	53	1364	82	2083	76	2.4
DS-805	1073	487	31	787	60	1365	86	2184	78	2.8

*Each oven ships separately  
Hearth Decks and Legs ship in separate cartons*

Model	BTUH	KW	CONNECTION
GS-805	60,000	17.6	3/4"
GS-990	120,000	35.2	3/4"
DS-805	70,000	20.5	3/4"
DS-990	140,000	41.0	3/4"

CE certification not available in LP gas

Model	Deck Sizes			Overall Dimensions					
	in.	mm	# Decks	Inches	mm	Inches	mm	Inches	mm
GS-805	36 x 36	914 x 914	1	53 1/4	1353	43	1092	54 3/4	1389
GS-990	36 x 36	914 x 914	2	53 1/4	1353	43	1092	65 1/2	1663
DS-805	48 x 36	1219 x 914	1	65 1/4	1651	43	1092	54 3/4	1389
DS-990	48 x 36	1219 x 914	2	65 1/4	1651	43	1092	65 1/2	1663

	Noncombustible Construction		Combustible Construction	
	Inches	mm	Inches	mm
<b>Right</b>	0	0	1	25
<b>Left</b>	0	0	3	76
<b>Rear</b>	2	51	3	76