

REFRIGERATOR MANUFACTURER
Turbo air
 more durable, efficient, beautiful

4184 E. Conant St.
 Long Beach, CA 90808
 Tel. 310-900-1000
 Fax. 310-900-1077
www.turboairinc.com

Project :	
Model # :	
Item # :	Qty :
Available W/H :	
Approval :	

Curved Glass Bakery Cases

Display Cases
 Bakery Cases - Dry Cases

Model : TCGB-36-DR



* Red wine and white color come standard
 * Image shown here TCGB-36-2 (refrigerated)

≡ FEATURES & BENEFITS ≡

- **Attractive, elegant, glass sided Euro design**
 Curved tempered front glass and minimal frame provide full product visibility to optimize display effects. Its elegant contemporary euro design and luxurious wine colored case will not only enhance any store atmosphere but also will keep product presentation at its best and beautiful.
- **Safety shielded LED lighting interior**
- **Cantilevered wired shelves adjustable up and down, tilted**
- **Simple plug-in installation**
- **304 stainless steel floor and airflow grille**
- **Four point leveling system**
- **High-density polyurethane insulation**
 The entire cabinet structure is foamed-in-place using high density, CFC free polyurethane insulation.
- **Sliding rear doors for product loading & unloading**
- **Heavy duty, white PE coated wire shelves**



Model	CU./FT.	# of Shelves	HP	AMPS	Crated Weight (lbs.)	L x D x H (inches)
TCGB-36-DR	10.9	2	-	0.4	532	36 1/2 x 34 1/4 x 50 1/8

Curved Glass Bakery Cases

Display Cases
Bakery Cases - Dry Cases

Model : TCGB-36-DR

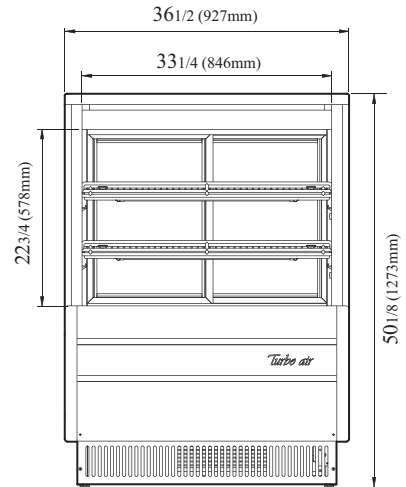
ELECTRICAL DATA	
Voltage	115/60/1
Plug Type	Ⓜ NEMA 5-15P
Full Load Amperes	0.4
Compressor HP	-
Refrigerant	N/A
DIMENSIONAL DATA	
Net Capacity (cu. ft.)	10.9
Ext. Length Overall (in.)	36 1/2 (927mm)
Ext. Depth Overall (in.)	34 1/4 (870mm)
Ext. Height Overall (in.)	50 1/8 (1273mm)
Int. Length Overall (in.)	33 1/4 (846mm)
Int. Depth Overall (in.)	27 3/4 (705mm)
Int. Height Overall (in.)	22 3/4 (578mm)
Net Weight (lbs.)	336
Gross Weight (lbs.)	532
# of Shelves	2

Design and specifications subject to change without notice.
Actual shipping weight may differ due to extra packing materials for product protection.

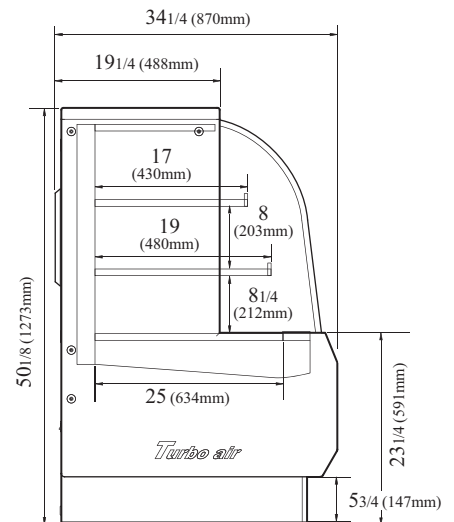
- **WARRANTY : 2 Years Parts and Labor Warranty**
Additional 3 Years Warranty on Compressor

PLAN VIEW

(unit : inch)



FRONT VIEW



SIDE VIEW

Ver.201601



- Turbo Air : 800-627-0032
- GK : 800-500-3519
- Warranty : 800-381-7770
- AC : 888-900-1002

REFRIGERATOR MANUFACTURER
Turbo air

GERMAN
KNIFE

RADIANCE

GREEN WORLD

AIR CONDITIONER MANUFACTURER
Turbo air