



1250 Victoria St, Carson, CA 90746
 Tel. 310-900-1000 Fax. 310-900-1077
 www.turboairinc.com

Project :

Model # :

Item # :

Qty :

Available W/H :

Approval :

Heavy Duty Restaurant Range

Model : TAR-10



FEATURES / BENEFITS

- HEAVY GAUGE WELDED FRAME CONSTRUCTION
- STAINLESS STEEL FRONT, SIDES, BACK RISER LIFT-OFF HIGH SHELF
- INDIVIDUAL PILOT FOR EACH LIFT OFF TOP OPEN BURNER AT 32,000 BTU/HR
- 6" STAINLESS STEEL ADJUSTABLE LEGS (CASTORS AVAILABLE AS AN OPTION)
- 12" X 12" SECTIONED HEAVY DUTY CAST IRON GRATES
- FULL SIZE PULL OUT CRUMB TRAY
- WRAP AROUND FULL STAINLESS STEEL OVEN INTERIOR / 26.3" DEPTH STANDARD
- FULLY ADJUSTABLE OVEN THERMOSTAT PROVIDING TEMPERATURES FROM 250-550 DEGREES
- PULL OFF STAINLESS STEEL DOOR FOR EASY CLEANING
- THERMOSTATICALLY CONTROLLED GRIDDLE (COMBO MODEL)
- 1 STAINLESS STEEL OVEN RACK (ADDITIONAL RACKS OPTIONAL)
- PUSH BUTTON IGNITION TO LIGHT A STANDING PILOT FOR OVEN
- CSA CERTIFIED FOR SAFETY & SANITATION FOR U.S AND CANADA
- A FULL ONE YEAR LIMITED PARTS AND LABOR WARRANTY



Model	Oven	Weight (lbs.)	Width (inches)	Total BTUs	Configuration
TAR-10	2	895	60	390K	10 open burners
TARG-6B24G / TARG-24G6B	2	995	60	307K	6 open burners, 24" griddle
TARG-4B36G / TARG-36G4B	2	1025	60	283K	4 open burners, 36" griddle

Heavy Duty Restaurant Range

Model : TAR-10

DATA	
Gas Type	NAT/LP Convertible
Gas Connection	3/4" x 2
Regulator	3/4" x 2
DIMENSIONAL DATA	
Number of oven	2
Ext. Length Overall	60" (1524mm)
Ext. Depth Overall	32" (810mm) + manifold
Ext. Height Overall	56.5" (1436mm)
OVEN DIMENSION (Interior)	
Length	26.4" (670mm)
Depth	26.3" (669mm)
Height	13.6" (345mm)

Design and specifications subject to change without notice.
Actual shipping weight may differ due to extra packing materials for product protection.

■ WARRANTY : 1 Year Labor and Parts Warranty

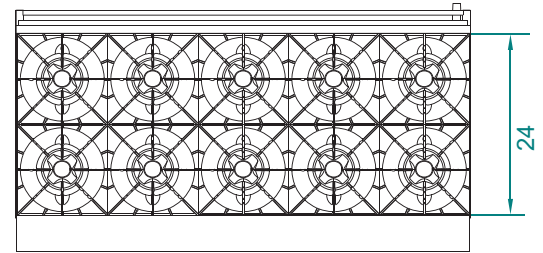
■ OPTIONAL ACCESSORIES :

- Casters (Set of 4)
- Stainless steel oven racks

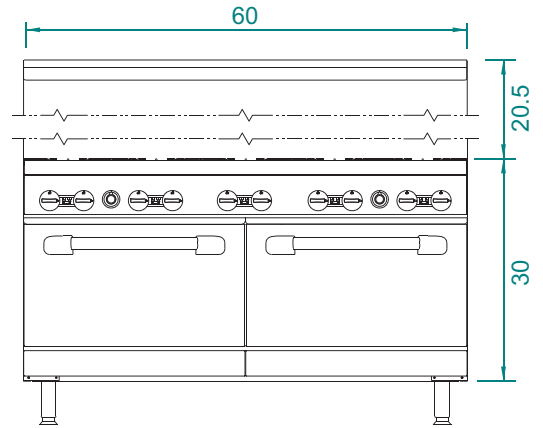
Ver.201203

PLAN VIEW

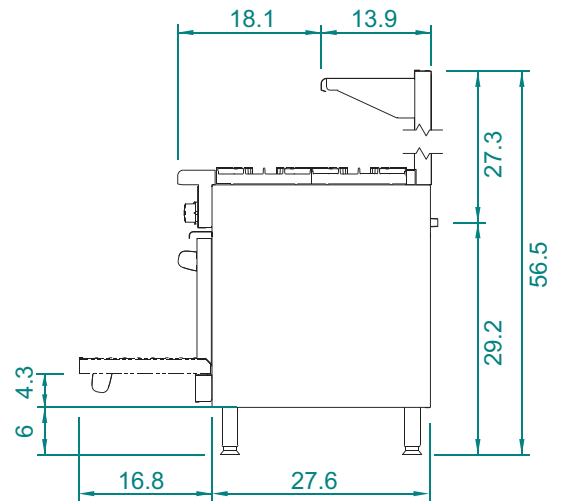
(unit : inch)



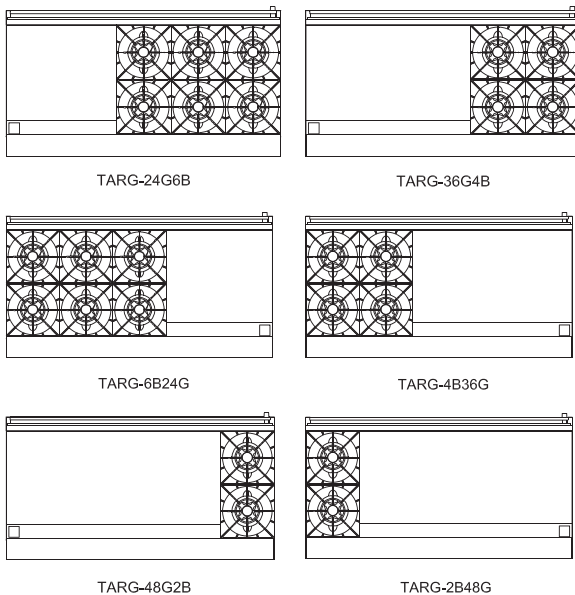
TOP VIEW



FRONT VIEW



SIDE VIEW



- Turbo Air : 800-627-0032
- GK : 800-500-3519
- Warranty : 800-381-7770
- AC : 888-900-1002