



**For service contact:**

German Knife Inc.  
1-800-500-3519  
www.turboairinc.com

# OWNER & OPERATOR INSTRUCTION MANUAL

Model No.

GBS-450S



## IMPORTANT SAFETY NOTICE

To ensure safe and trouble free performance of you new German knife slicer, we suggest that all personnel who will use and maintain the slicer read and understand the manual before operating the equipment. Should there be any questions or if we can be of further assistance, please call us toll free at (800) 500-3519.

## TABLE OF CONTENTS

|                               | PAGE |
|-------------------------------|------|
| LUBRICATION INSTRUCTION ..... | 3    |
| FRAME PARTS .....             | 4    |
| UPPER SAW WHEEL PARTS .....   | 5    |
| LOWER SAW WHEEL PARTS .....   | 6    |
| SAW GUIDE PARTS .....         | 7    |
| DRIVE PARTS .....             | 8    |
| FRONT SCRAPER PARTS .....     | 9    |
| REAR SCRAPER PARTS .....      | 10   |
| MEAT GAUGE PARTS .....        | 11   |
| TABLE PARTS .....             | 12   |
| ELECTRIC CURCUIT .....        | 13   |
| WARRANTY INFORMATION .....    | 14   |

### **German Knife Inc**

4184 E. Conant St., Long Beach, CA 90808

Phone : 800-500-3519

Fax : 310-900-1066

[www.turboairinc.com](http://www.turboairinc.com)

# LUBRICATION INSTRUCTIONS

**UPPER WHEEL :**

2-4 strokes with grease gun every 30 days as needed

**TENSION HANDLE :**

Lubricate daily with edible oil while screwing in and out

**UPPER BLADE GUIDE SUPPORT BAR :**

Lubricate daily with food grade oil while moving up and down

**MEAT CARRYING TABLE WHEELS :**

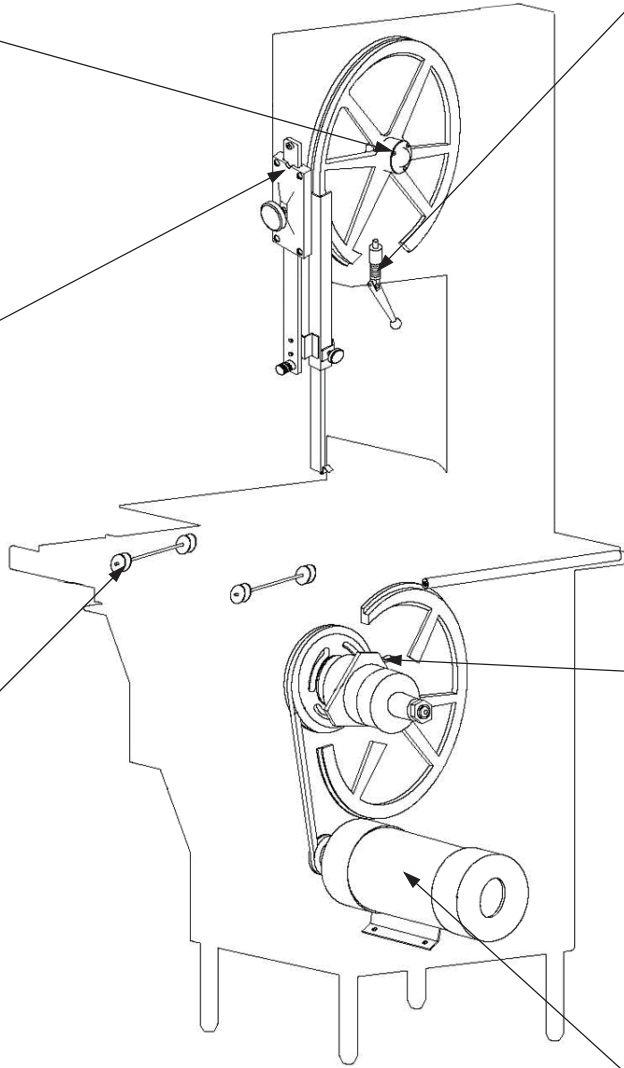
Lubricate daily with edible oil

**LOWER WHEEL & BEARING HOUSING :**

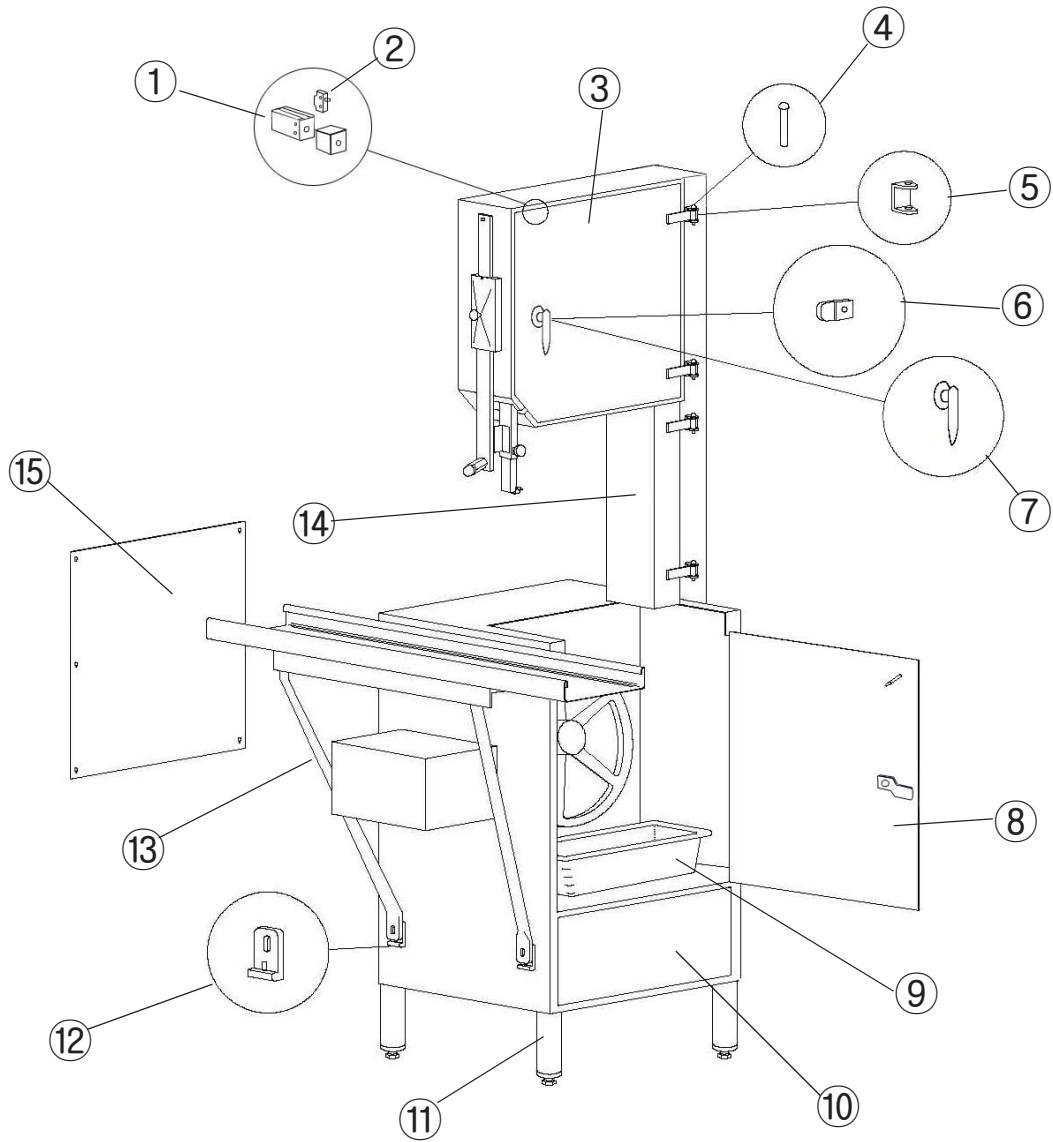
2-4 strokes with grease gun every 30 days as needed

**MOTOR :**

If equipped with grease fittings grease every six months with bearing grease

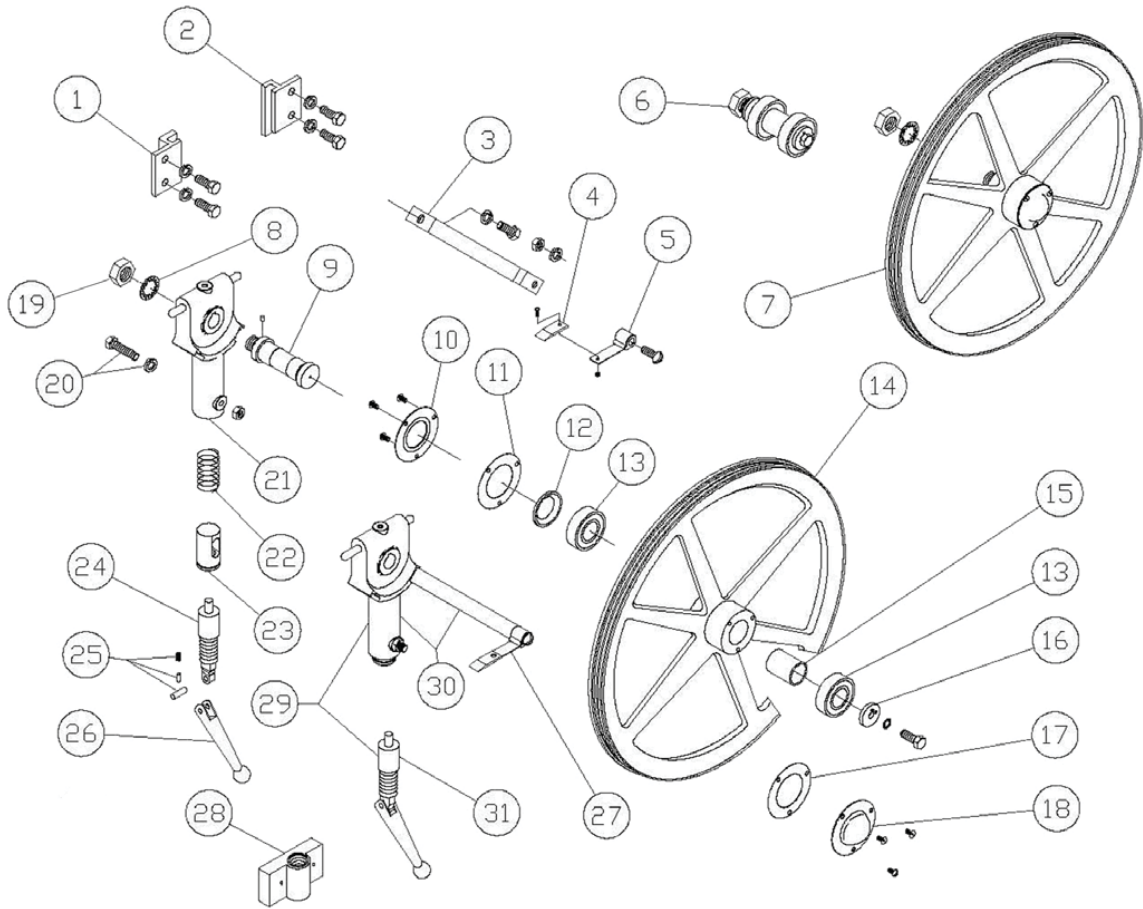


# FRAME PARTS



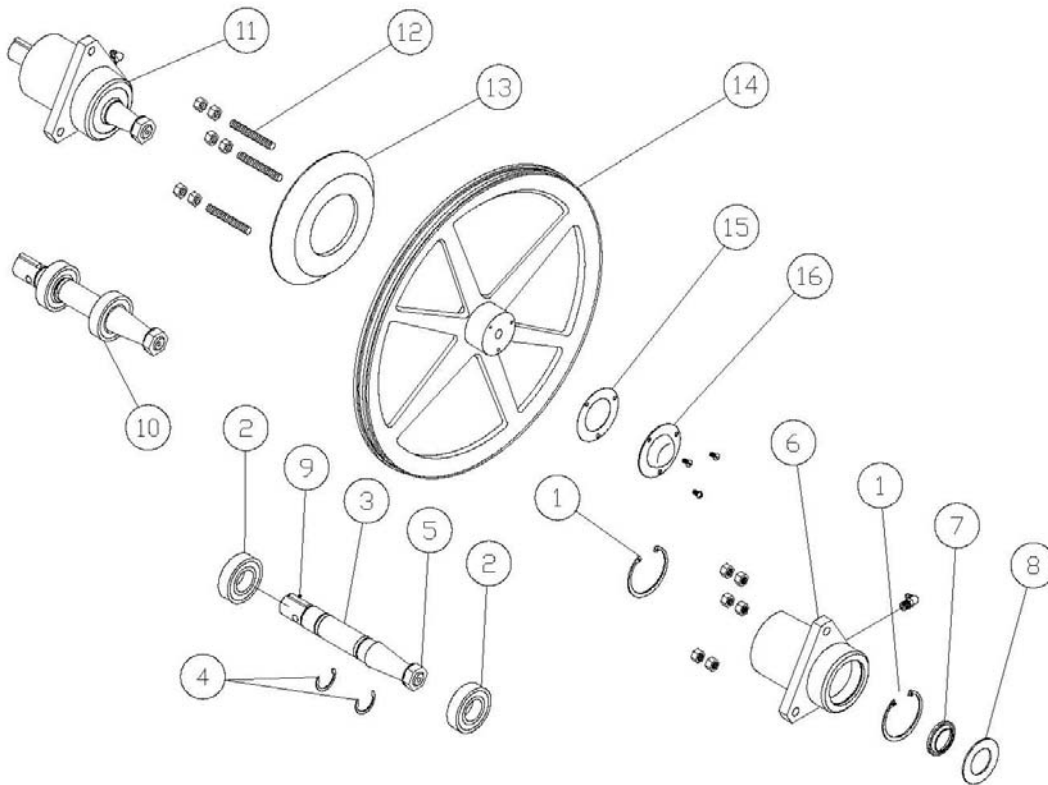
| ITEM | DESCRIPTION              | PART NO. | USE | ITEM | DESCRIPTION          | PART NO. | USE |
|------|--------------------------|----------|-----|------|----------------------|----------|-----|
| 1    | Upper micro switch cover | 301101   | 1   | 9    | Scrap Box            | 301109   | 1   |
| 2    | Micro switch             | 301102   | 2   | 10   | Motor Access Panel   | 301110   | 2   |
| 3    | Upper door               | 301103   | 1   | 11   | Leg Assy             | 301111   | 4   |
| 4    | Hinge Pin                | 301104   | 6   | 12   | Brace Adjust Bracket | 000219   | 2   |
| 5    | Hinge                    | 301105   | 6   | 13   | Brace                | 301113   | 2   |
| 6    | Door Latch               | 301106   | 2   | 14   | Middle Door          | 301114   | 1   |
| 7    | Door Handle              | 301107   | 2   | 15   | Rear Cover           | 301115   | 1   |
| 8    | Lower Door               | 301108   | 1   |      |                      |          |     |

# UPPER SAW WHEEL PARTS



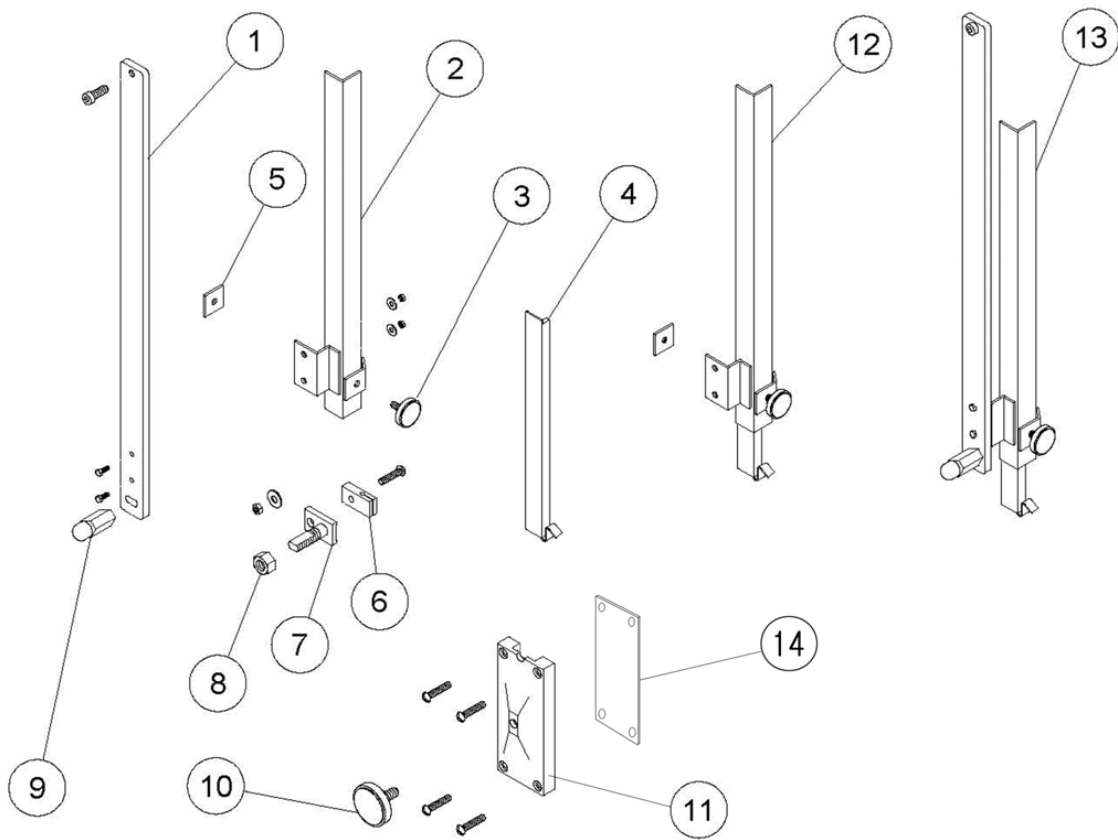
| ITEM | DESCRIPTION                  | PART NO. | USE | ITEM | DESCRIPTION           | PART NO. | USE |
|------|------------------------------|----------|-----|------|-----------------------|----------|-----|
| 1    | Guide Block LH               | 000101   | 1   | 17   | Gasket                | 301217   | 2   |
| 2    | Guide Block RH               | 000102   | 1   | 18   | Hub Cap               | 301218   | 1   |
| 3    | Scraper Arm                  | 301203   | 1   | 19   | Upper Shaft Nut       | 301219   | 1   |
| 4    | Fiber Scraper                | 301204   | 1   | 20   | Adjusting Screw & Nut | 301220   | 1   |
| 5    | Scraper Spring               | 000132   | 1   | 21   | Upper Hanger          | 000121   | 1   |
| 6    | Upper Shaft & Bearing Assy   | 301206   | 1   | 22   | Tension Spring        | 301222   | 1   |
| 7    | 16" Upper Wheel & Shaft Assy | 301207   | 1   | 23   | Indicator             | 301223   | 1   |
| 8    | Washer                       | 301208   | 1   | 24   | Adjusting Screw       | 301224   | 1   |
| 9    | Upper Shaft W/Nut & Washer   | 301209   | 1   | 25   | Pins & Spring Assy    | 301225   | 1   |
| 10   | Bearing Retainer             | 301210   | 1   | 26   | Tension Handle        | 000126   | 1   |
| 11   | Gasket                       | 301211   | 2   | 27   | Wheel Scraper Assy    | 301227   | 1   |
| 12   | Rubber Seal                  | 301212   | 1   | 28   | Gauge Block           | 000128   | 1   |
| 13   | Bearing                      | 301213   | 2   | 29   | Blade Tension Assy    | 301229   | 1   |
| 14   | 16" Upper Wheel              | 000114   | 1   | 30   | Hanger & Arm Assy     | 301230   | 1   |
| 15   | Bearing Spacer               | 301215   | 1   | 31   | Tension Handle Assy   | 301231   | 1   |
| 16   | Retainer & Screw Assy        | 301216   | 1   |      |                       |          |     |

## LOWER SAW WHEEL PARTS



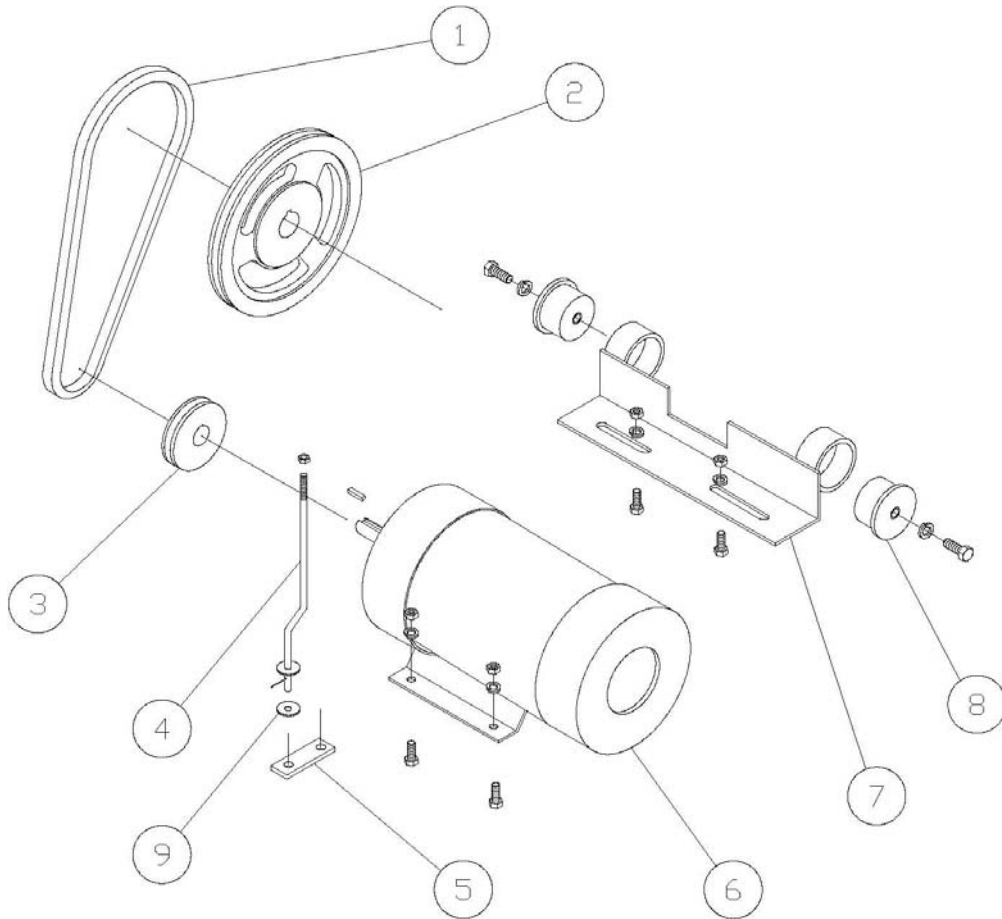
| ITEM | DESCRIPTION                       | PART NO. | USE |
|------|-----------------------------------|----------|-----|
| 1    | Snap Ring                         | 301301   | 2   |
| 2    | Bearing                           | 301213   | 2   |
| 3    | Lower Wheel Shaft & Washer, Nut   | 301303   | 1   |
| 4    | Snap Ring                         | 301304   | 2   |
| 5    | Nut & Washer                      | 301305   | 1   |
| 6    | Bearing Case                      | 000138   | 1   |
| 7    | Rubber Seal                       | 301307   | 1   |
| 8    | Special Washer                    | 301308   | 1   |
| 9    | Key                               | 301309   | 1   |
| 10   | Lower Shaft and Bearing Assy      | 301310   |     |
| 11   | Lower Bearing Case and Shaft Assy | 301311   |     |
| 12   | Stud                              | 301312   | 3   |
| 13   | Bearing Case Support              | 301313   | 1   |
| 14   | 16" Lower Wheel                   | 000145   | 1   |
| 15   | Gasket                            | 301211   | 1   |
| 16   | Hub Cap                           | 301218   | 1   |

## SAW GUIDE PARTS



| ITEM | DESCRIPTION                        | PART NO. | USE |
|------|------------------------------------|----------|-----|
| 1    | Blade Support Adj. Bar             | 301401   | 1   |
| 2    | Blade Guard Assy. Rh               | 301402   | 1   |
| 3    | Knob                               | 301403   | 1   |
| 4    | Blade Guard Extension Rh           | 301404   | 1   |
| 5    | Extension Stop                     | 301405   | 1   |
| 6    | Blade Guide                        | 301406   | 1   |
| 7    | Holder                             | 000152   | 1   |
| 8    | Lock Nut                           | 301408   | 1   |
| 9    | Hand Grip Hex Nut                  | 000154   | 1   |
| 10   | Knob                               | 301410   | 1   |
| 11   | Blade Support Bar Guide            | 000157   | 1   |
| 12   | Blade Guard Assy. W/Ext-Rh         | 301412   | 1   |
| 13   | Blade Guard Assy. W/Ext & Adj. Bar | 301413   | 1   |
| 14   | Blade Support Bar Guide Spacer     | 301414   | 1   |

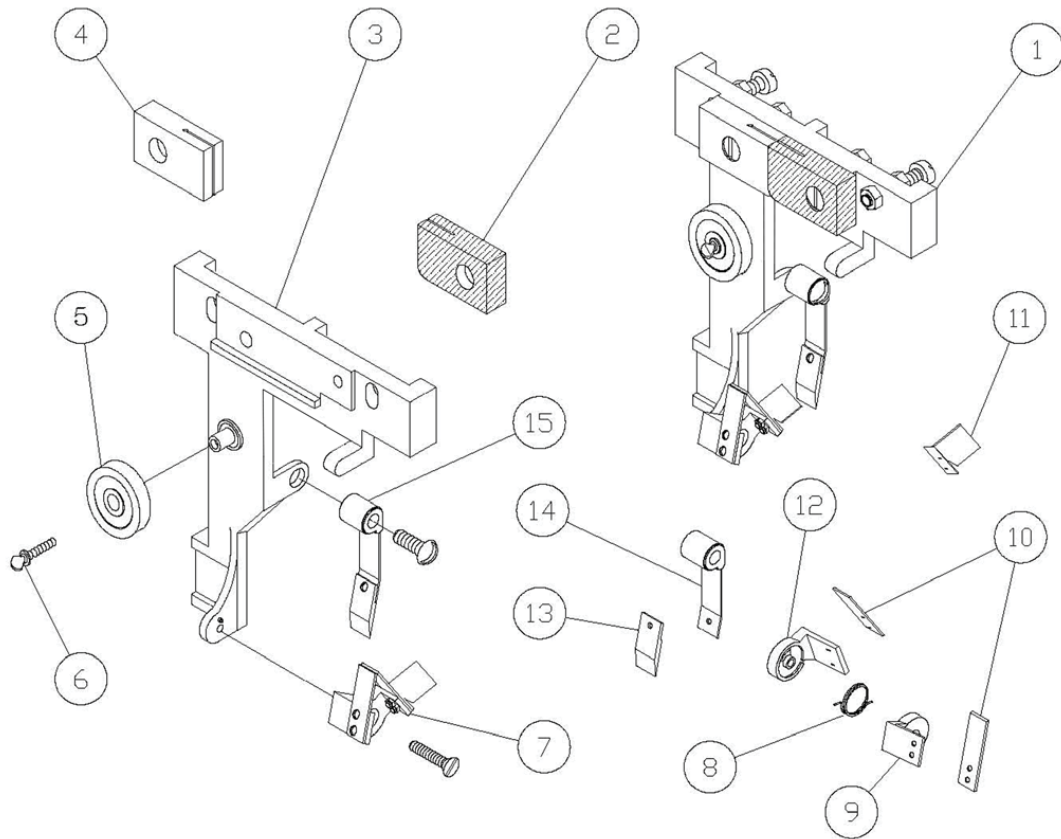
## DRIVE PARTS



| ITEM | DESCRIPTION              | PART NO. | USE |
|------|--------------------------|----------|-----|
| 1    | V-Belt                   | 301501   | 1   |
| 2    | Driven Pulley(8.5")      | 301502   | 1   |
| 3    | Motor Pulley(Standard)   | 301503   | 1   |
|      | Motor Pulley(High Speed) | 301503   |     |
| 4    | Torque Rod Assy          | 301504   | 1   |
| 5    | Torque Bracket           | 301505   | 1   |
| 6    | Motor(3HP)               | 301506   | 1   |
| 7    | Motor Mount Assy         | 301507   | 1   |
| 8    | Rubber Mount Assy        | 301508   | 2   |
| 9    | Rubber Washer            | 301509   | 1   |

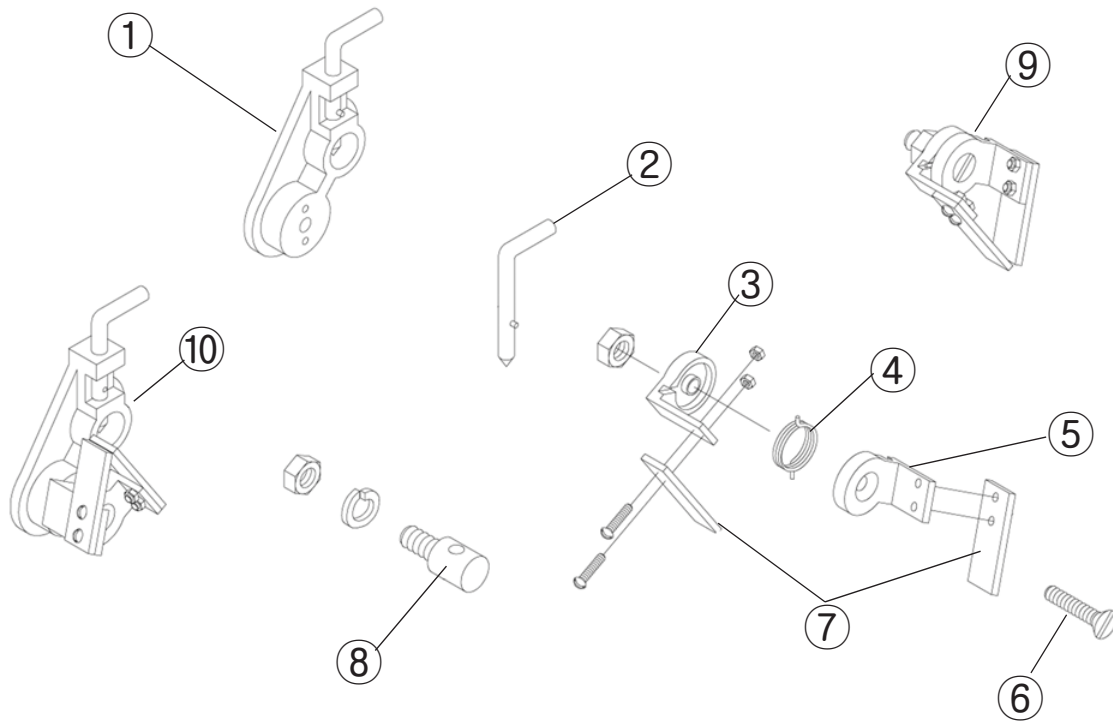


## FRONT SCRAPER PARTS



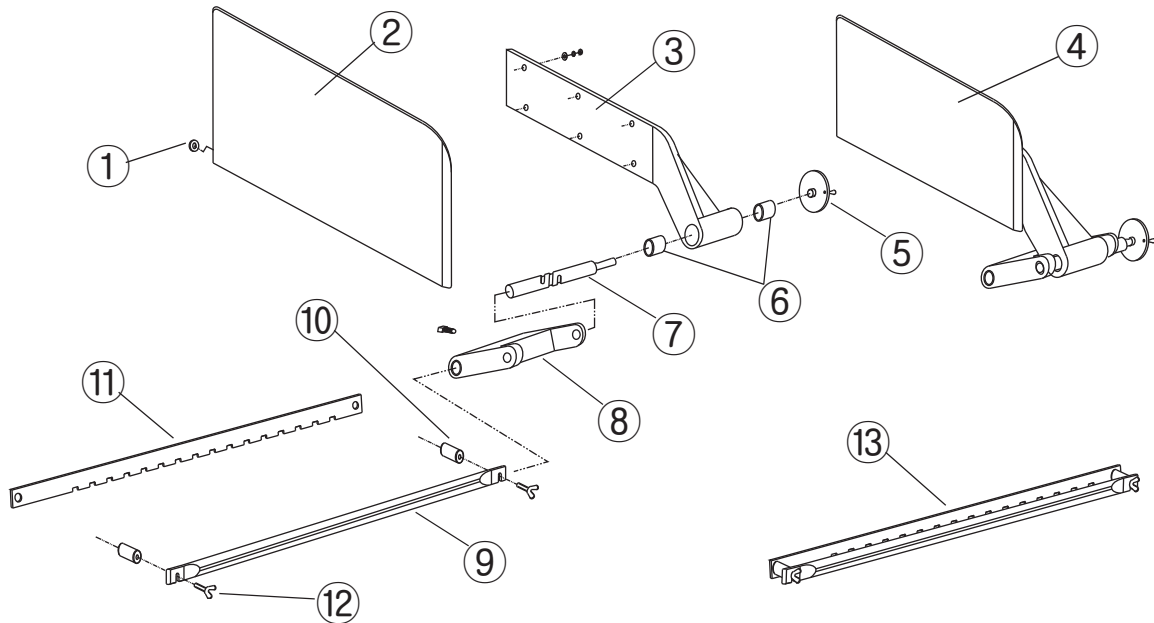
| ITEM | DESCRIPTION               | PART NO. | USE |
|------|---------------------------|----------|-----|
| 1    | Front Scraper Assy        | 301601   | 1   |
| 2    | Fiber Blade Block         | 301602   | 1   |
| 3    | Scraper & Roller Mount    | 000170   | 1   |
| 4    | Lower Blade Guide         | 301604   | 1   |
| 5    | Back-Up Bearing           | 301605   | 1   |
| 6    | Bolt                      | 301606   | 1   |
| 7    | Blade Scraper Assy        | 301607   | 1   |
| 8    | Spring                    | 301608   | 1   |
| 9    | Lh Scraper Holder         | 000176   | 1   |
| 10   | Scraper - Stainless Steel | 301610   | 2   |
| 11   | Deflector                 | 301611   | 1   |
| 12   | Rh Scraper Holder         | 000179   | 1   |
| 13   | Fiber Wheel Scraper       | 301613   | 1   |
| 14   | Scraper Spring            | 000132   | 1   |
| 15   | Wheel Scraper Assy        | 301227   | 1   |

## REAR SCRAPER PARTS



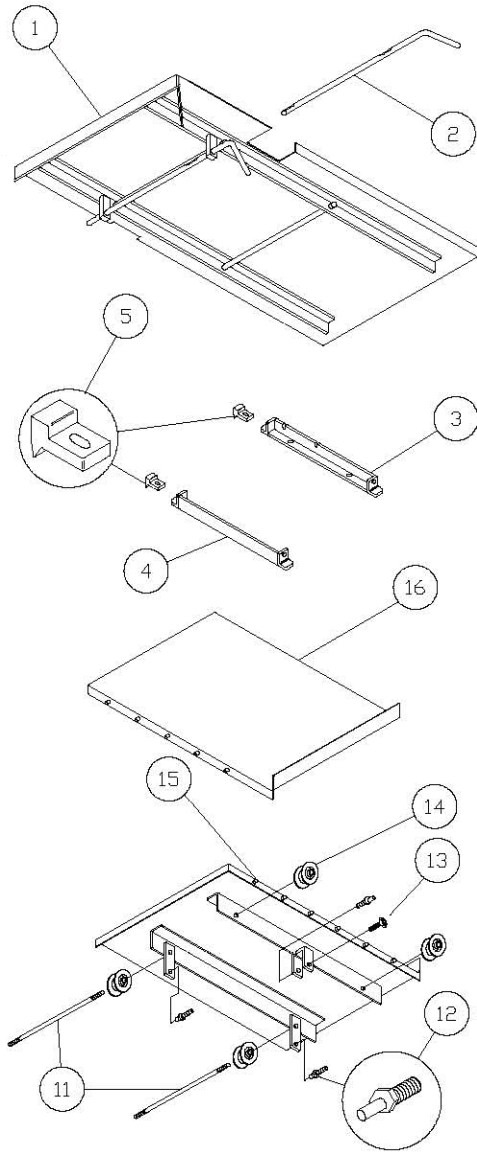
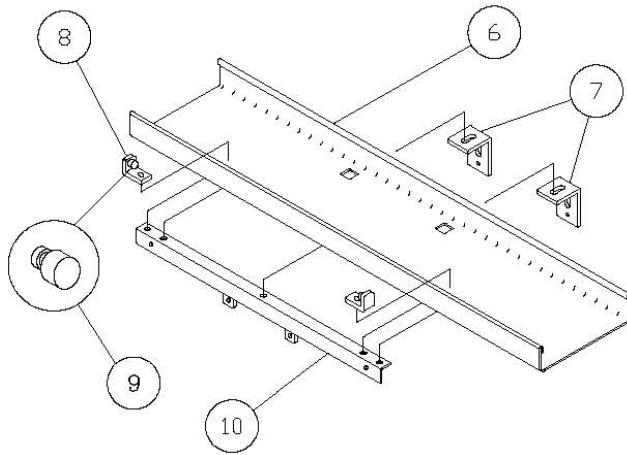
| ITEM | DESCRIPTION           | PART NO. | USE |
|------|-----------------------|----------|-----|
| 1    | Scrapper Mount & Lock | 300405   | 1   |
| 2    | Lock Pin              | 301702   | 1   |
| 3    | Rh Scrapper Holder    | 000179   | 1   |
| 4    | Spring                | 301608   | 1   |
| 5    | Lh Scrapper Holder    | 000176   | 1   |
| 6    | Bolt & Nut            | 301706   | 1   |
| 7    | Fiber Scrapper        | 301707   | 2   |
| 8    | Holding Stud          | 301708   | 1   |
| 9    | Blade Scrapper Assy   | 301607   | 1   |
| 10   | Scrapper Assy         | 301710   | 1   |

## MEAT GAUGE PARTS



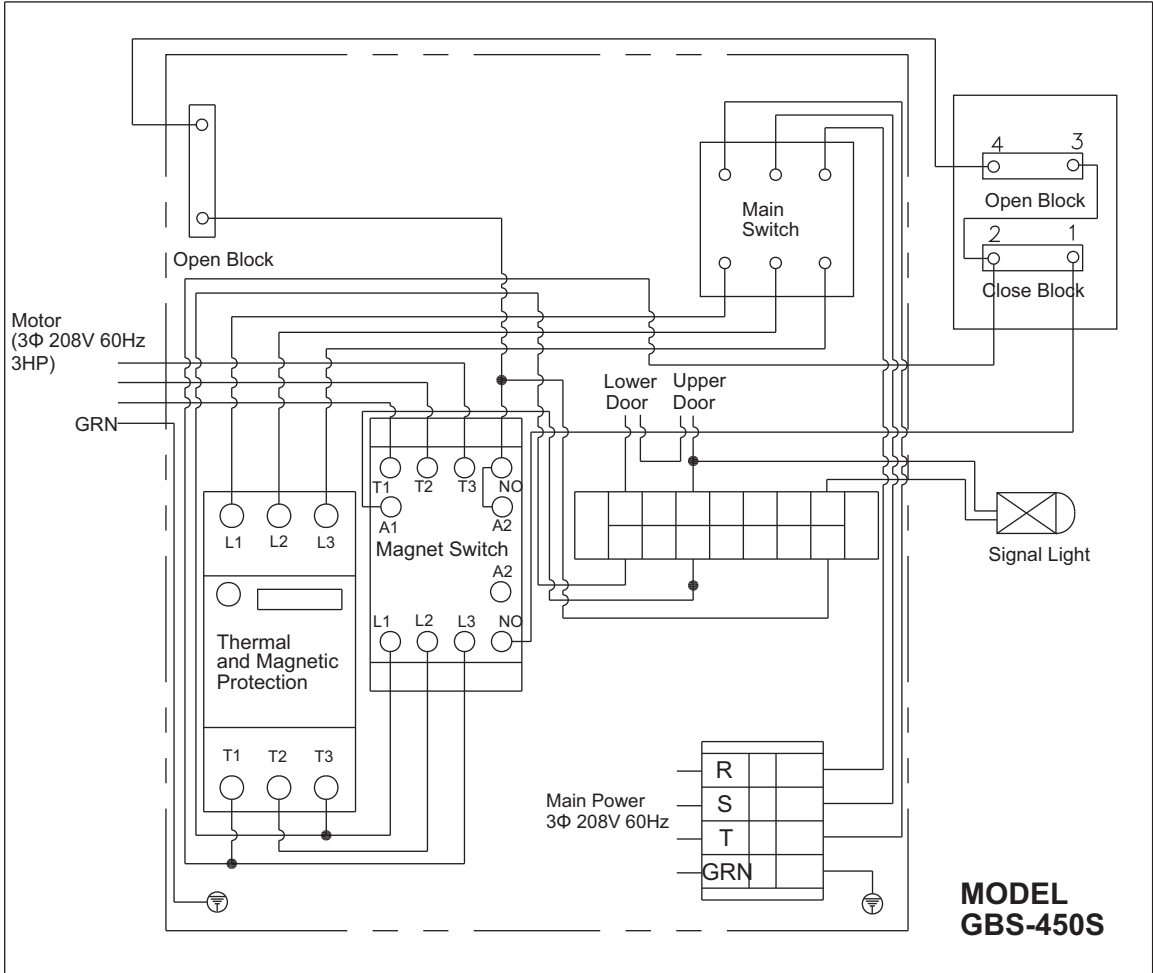
| ITEM | DESCRIPTION                   | PART NO. | USE |
|------|-------------------------------|----------|-----|
| 1    | Thickness Gauge Roller        | 301801   | 1   |
| 2    | Thickness Gauge Plate         | 301802   | 1   |
| 3    | Thickness Gauge Arm           | 301803   | 1   |
| 4    | Thickness Gauge Arm Assy      | 301804   | 1   |
| 5    | Handle Assy                   | 301805   | 1   |
| 6    | Bushing                       | 301806   | 4   |
| 7    | Gauge Spindle                 | 301807   | 1   |
| 8    | Thickness Gauge Slide Bracket | 301808   | 1   |
| 9    | Thickness Gauge Slide Lod     | 301809   | 1   |
| 10   | Slide Lod Bracket             | 301810   | 2   |
| 11   | Gauge Latch Lock              | 301811   | 1   |
| 12   | Wing Bolt                     | 301812   | 2   |
| 13   | Slide Lod Assy                | 301813   | 1   |

## TABLE PARTS



| ITEM | DESCRIPTION           | PART NO. | USE |
|------|-----------------------|----------|-----|
| 1    | Stationary Table Assy | 301901   | 1   |
| 2    | Table Lock Lever      | 301902   | 1   |
| 3    | Front Table Support   | 301903   | 1   |
| 4    | Rear Table Support    | 301904   | 1   |
| 5    | Lever Adjusting Lock  | 301905   | 2   |
| 6    | Table Track           | 301906   | 1   |
| 7    | Table Track Support   | 301907   | 2   |
| 8    | Stop Bracket Assy     | 301908   | 2   |
| 9    | Rubber Stopper        | 301909   | 2   |
| 10   | Angle Support Assy    | 301910   | 1   |
| 11   | Table Wheel Axel      | 301911   | 2   |
| 12   | Table Holding Pin     | 301912   | 3   |
| 13   | Table Stop Handle     | 301913   | 1   |
| 14   | Table Rolling Wheel   | 301914   | 4   |
| 15   | Table Button          | 301915   | 6   |
| 16   | Roller Table Assy     | 301916   | 1   |

# ELECTRIC CURCUIT



# LIMITED WARRANTY

## WARRANTY CLAIM:

German Knife / Radiance warrants that the equipment, as supplied from the factory to the end-user, is free from defects in materials and workmanship. Should any part be found defective resulting from normal use within the defined warranty period, German Knife / Radiance will gladly dispatch an authorized service agency to repair and/or replace necessary parts under the following conditions.

Repairs under this warranty are to be performed by a German Knife / Radiance authorized service agency only. German Knife / Radiance will not be responsible for service parts and labor charges performed by non-authorized service companies. All claims should include the model number, serial number, proof of purchase, date of installation, and all pertinent information supporting the alleged defect.

## PRODUCTS UNDER WARRANTY:

### ***One Year Warranty:***

- Radiance Medium Duty Microwaves- ER/MR series (TMW-1100ER, TMW-1100MR)
- Radiance Ranges & Countertop cooking series  
(All TAR-, TARG-, TAHP-, TARB-, TAMG-, TATG-, TASP-, TAWR-)
- Radiance Cheesemelters, Salamanders, Steam Tables, Hand Wrappers, and Food Warmers  
(All TACM-, TASM-, RST-, RHW-, RFW-)
- German Knife Light Duty Slicer- LD series (GS-10LD, GS-12LD)

### ***Two Year Warranty:***

- German Knife Heavy Duty Meat Slicer- Automatic & Manual (GS-12A, GS-12M, GS-13A, GS-13M)
- German Knife Meat Grinder (All GG-)
- German Knife Band Saw (All GBS-)

### ***Three Year Warranty:***

- Radiance Heavy Duty Microwaves- HD Series (TMW-1200HD, TMW-1800HD)

Any part covered under this warranty that is found by German Knife / Radiance to have been defective within the above time period is limited to the repair or replacement, including labor charges, of defective parts or assemblies. The labor charges shall include standard straight time labor charges only and reasonable travel time as determined by German Knife / Radiance.

## WHAT IS NOT COVERED BY THIS WARRANTY:

German Knife / Radiance's sole obligation under this warranty is limited to either repair or replacement of parts, subject to the additional limitations below. This warranty neither assumes nor authorizes any person to assume obligations other than those expressly covered by this warranty.

- Equipment failure resulting from improper installation will not be honored under warranty. Examples are wrong utility connection and improper utility supply problems.
- Equipment that has not been maintained accordingly. Examples are calibration of controls, adjustment to pilots and burners, and damage from improper cleaning.
- Equipment that has not been used in an appropriate manner, alteration, neglect, abuse, misuse, accident, damage during transit or installation, fire, food, acts of God.
- Warranty is not transferrable and only applies in favor of the original purchaser.
- Equipment failure resulting from electrical power failure, use of extension cords, low voltage, and voltage drops to the unit.

These warranties are exclusive and in lieu of all other warranties, including implied warranty and merchantability or fitness for a particular purpose. No consequential damages. German Knife / Radiance is not responsible for economic loss, profit loss or special, indirect, or consequential damages. There are no warranties which extend beyond the description on the face hereof.

Outside the U.S., this warranty does not apply to, and German Knife / Radiance is not responsible for, any warranty claims made on products sold or used outside the continent of the United States.