

Berkel

Get more done.

OWNER/OPERATOR MANUAL



MODELS

823E-PLUS, 825E-PLUS,
825A-PLUS, 827E-PLUS,
827A-PLUS, & 829E-PLUS

SLICERS

IMPORTANT NOTICE

This manual contains Important Safety Instructions which must be strictly followed when using this equipment.

BEFORE USING THIS EQUIPMENT

Berkel's slicers are designed to slice meat and other food products safely and efficiently. However, unless the operator is properly trained and supervised, there is the possibility of a serious injury. It is the responsibility of the owner to ensure that this slicer is used properly and safely, strictly following the instructions contained in this manual and any requirements of local law.

No one should use or service this slicer without proper training and supervision. All operators should be thoroughly familiar with the procedures contained in this manual. Even so, Berkel cannot anticipate every circumstance or environment in which its slicers will be used. You, the owner and/or operator, must remain alert to the hazards posed by the function of a slicer—particularly the sharp rotating blade and moving table. No one under 18 years of age should operate this equipment. If you are uncertain about a particular task, ask your supervisor.

This manual contains a number of safe practices in the General Safety Instruction Section. Additional warnings are placed throughout this manual. **WARNINGS RELATED TO YOUR PERSONAL SAFETY ARE INDICATED BY:**

WARNING

If any warning label, wall chart or manual becomes misplaced, damaged or illegible, please contact your nearest distributor or Berkel directly, for a free replacement.

Remember, however, **THIS MANUAL OR THE WARNING LABELS DO NOT REPLACE THE NEED TO BE ALERT AND TO USE YOUR COMMON SENSE WHEN USING THIS SLICER.**

TABLE OF CONTENTS

	<i>Page</i>
General Safety Instructions.....	2
Equipment Description.....	5
Unpacking and Installation	6
Operation.....	6
Cleaning and Sanitizing Instructions.....	7
Sharpening Instructions	14
Gasket Inspection	15
Repair Parts/Repair Service.....	16
Troubleshooting.....	17
Warranty	18

The Berkel Company • World's Leading Manufacturer of Slicers and Food Processing Equipment

BERKEL COMPANY

2006 Northwestern Parkway • Louisville, KY 40201

Phone: 800-348-0251 • Fax 888-888-2838

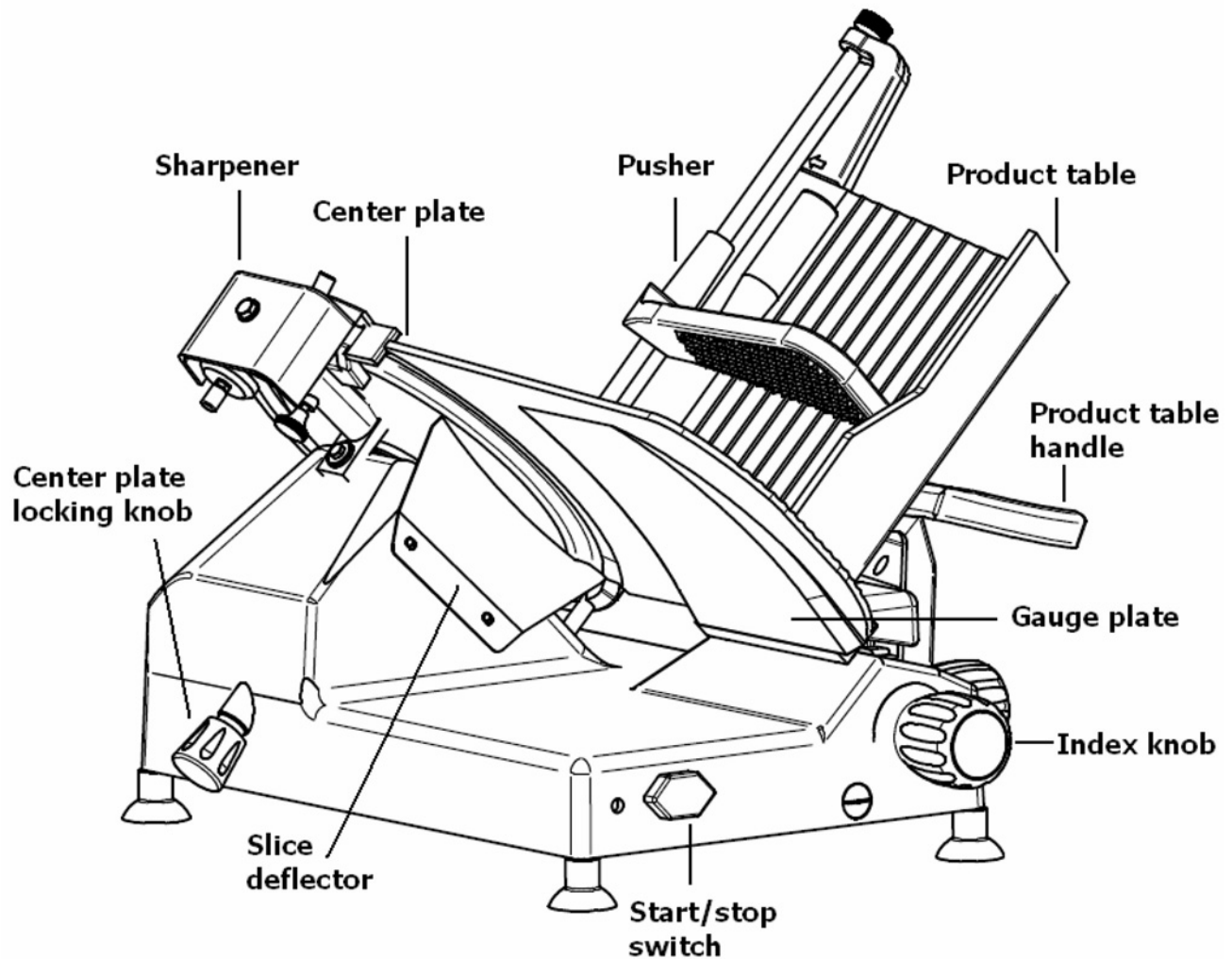
www.berkelequipment.com

⚠ WARNING
SHARP KNIFE BLADE
to avoid serious personal injury
follow all the instructions in this manual
and

1. NEVER touch this machine without training and authorization by your supervisor.
2. MACHINE MUST BE on solid level support.
3. GUARDS MUST BE in place before plugging in and turning on machine.
4. ALWAYS use three pronged plug provided.
5. ALWAYS use food pusher not your hand.
6. NEVER TOUCH ROTATING KNIFE.
7. KEEP hands, arms, hair and loose clothing clear of all moving parts.
8. SHOULD MACHINE JAM, turn off and unplug before removing obstruction.
9. TURN OFF AND UNPLUG machine from power source before cleaning, sanitizing or servicing.
10. USE ONLY the attachments provided by the manufacturer.
11. SHOULD any warning label on a machine come off or become unreadable, contact the manufacturer or your Designated Berkel Service Location for a free replacement.



Equipment Description



WARNING

**To avoid serious personal injury, properly
install slicer in adequate work area**

- ALWAYS use a qualified technician for installation.
- ALWAYS install slicer in work area with adequate light and space.
- ONLY operate slicer on a solid, level support.
- NEVER bypass or alter switches or circuits.
- NEVER operate slicer without all guards installed.
- NEVER operate slicer without all warning stickers and wall charts posted.

Unpacking and Installation

UNPACKING AND ASSEMBLY

- When the slicer has been unpacked and removed from its shipping carton, it should be checked carefully for any damage that may have occurred during shipment. Do not plug in the power cord or attempt to operate the slicer prior to this examination.
- Carefully check all slicer components such as the product table, pusher, sharpener, thickness control knob, etc., to make certain they move freely and that there are no obstructions. Turn the thickness control knob as far right as possible. Lubricate the pusher slide bar (on the product table) and the square and round table support rails (underside of slicer) with Berkel Food Machine Oil.

WARNING

Use only USDA-authorized oil on this slicer. Non USDA-authorized oil may contaminate this slicer and cause food poisoning and personal injury. Berkel Food Machine Oil is an USDA-authorized oil for food processing equipment. Berkel Food Machine Oil can be purchased in 2 oz. bottles (Part #4675-0182), 16 oz. bottles (Part #4675-0183) or gallons (Part #4675-0184).

Testing Prior To Operation

1. Make sure that the ON/OFF switch is on the "O" position and the thickness control knob is turned as far to the right as possible. This positions the gauge plate so the knife is not exposed during testing.
2. Plug the power cord into a grounded 120V AC electrical outlet.
3. Slide the product table back and forth holding on to the Product Table Handle. If there is any rough operation or obstruction, shut off, unplug power cord and call your Berkel serviceman.
4. Turn the slicer on by clicking on the "I" position and check for smooth knife rotation. Turn the slicer OFF.

WARNING

WHEN MOVING THE PRODUCT TABLE, GRASP ONLY THE PRODUCT TABLE HANDLE.

Operation

General

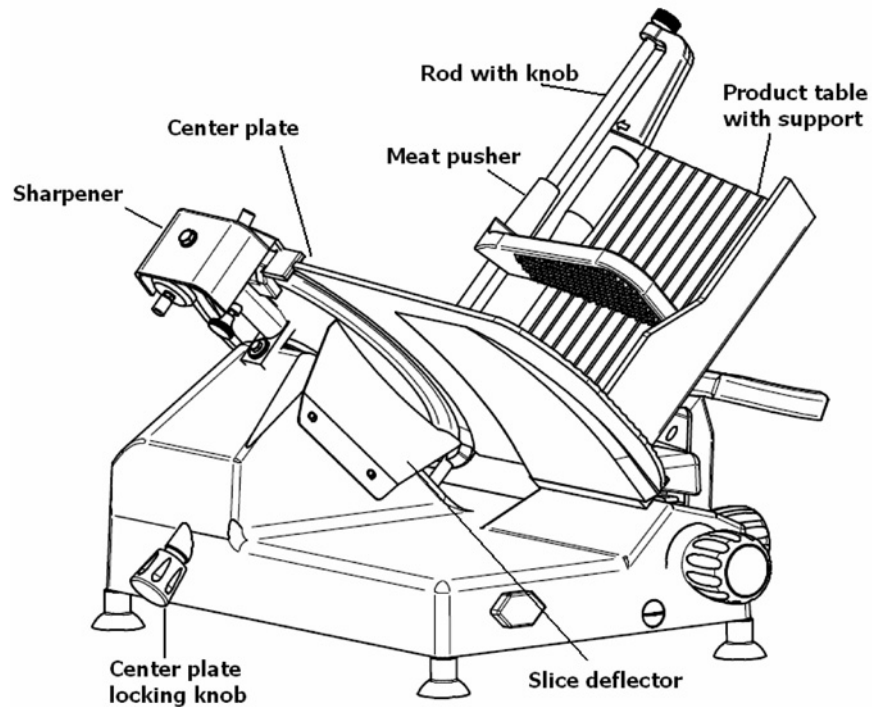
1. Rotate the pusher out of the way of the product table and place in the stop at the bottom of the table. Place product to be sliced on the product table. Position the pusher at the end of product. If the product you're slicing is long, place the pusher on top of the product. The pusher will feed the product toward the knife after each slice.
2. Turn the slicer ON.
3. The thickness control knob allows you to vary the thickness of the slices from paper thin to approximately 9/16" thick. To make thinner slices, turn the thickness control knob to the right. For thicker slices, turn the knob to the left.
4. A handle is provided on the product table to move it back and forth.

Cleaning And Sanitizing Instructions

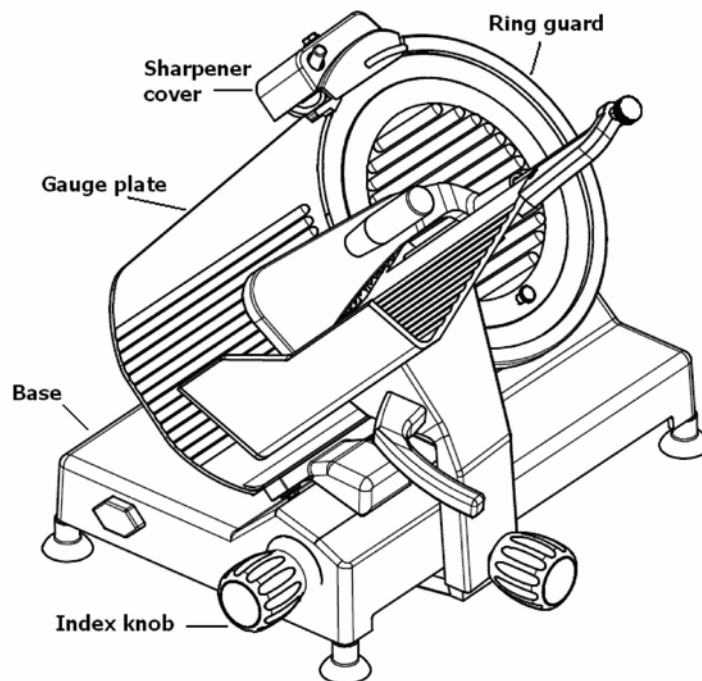
GENERAL INFORMATION

This machine shall be cleaned and sanitized at intervals to comply with national, state and/or local health codes. We recommend that the machines should be properly cleaned at least once a day; if necessary even more. If the machines have not been used for a while they must be cleaned before use as well.

PARTS THAT MUST BE REMOVED FOR CLEANING

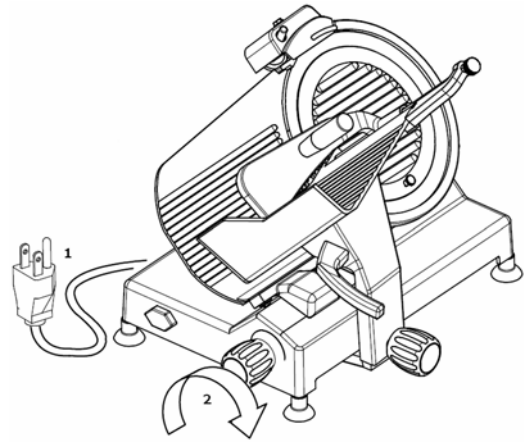


OTHER PARTS THAT MUST BE CLEANED



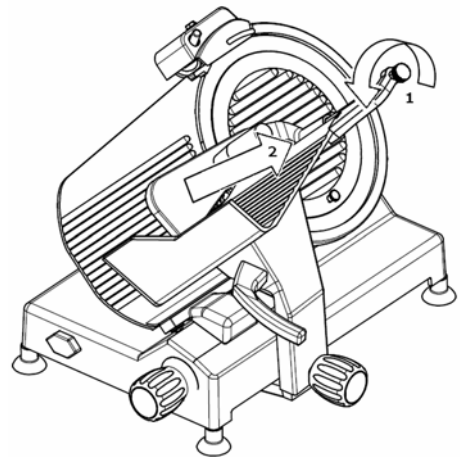
DISASSEMBLING THE MACHINE FOR CLEANING

1. Disconnect the plug from the electric mains supply.
2. Turn the regulating knob of the thickness plate to '0'.
3. Remove the various components as described in the following paragraphs.



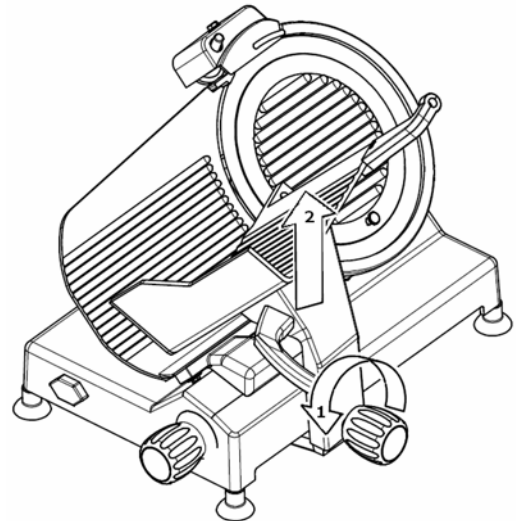
Disassembling the Meat Pusher

1. Unscrew the knob in order to extract the rod from the tray.
2. Remove the meat pusher.



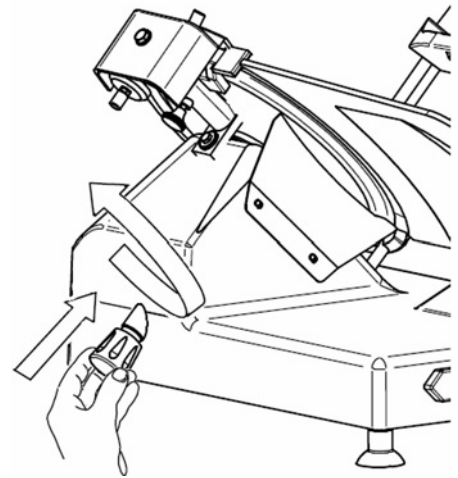
Disassembling the product table

1. Turn the locking knob counter clockwise all the way, removing the knob itself.
2. Take out the whole group by pulling it upwards.



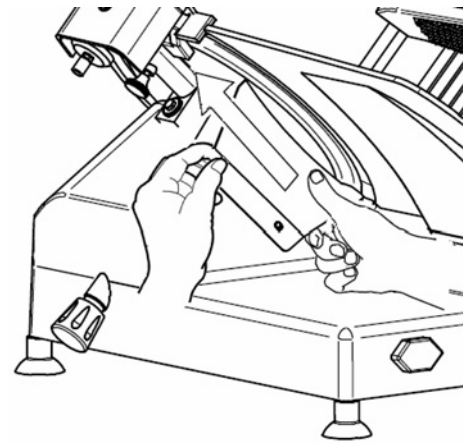
Disassembling the Center Plate

1. Unscrew the center plate locking knob.
2. Push on the knob to move the center plate off the knife.
3. Remove both the center plate and the locking knob.



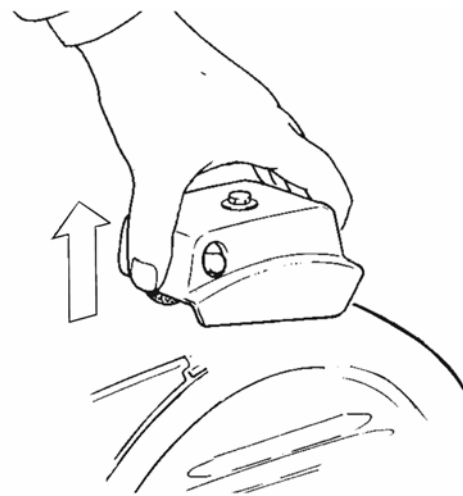
Disassembling the Slice Deflector

1. Remove the slice deflector which is attached to the main slicer body, as shown in the picture.



Disassembling the Sharpener

1. Loosen the knob below the sharpener block without removing it.
2. Then remove the whole sharpener by pulling upwards.



PRODUCTS TO BE USED FOR CLEANING

Only use hot water and a biodegradable detergent for dishes with a 7-8 PH, at a temperature of no lower than 30°C or (86°F) using a soft, spongy cloth and a semi-rigid nylon brush for the plate and the sharp food press.

The sanitizer concentration shall comply with Section 4-501.114, Manual and Mechanical Warewashing Equipment, Chemical Sanitization – Temperature, pH, Concentration, and Hardness of the FDA Food Code. Berkel recommends using USDA approved sanitizer, Berkel part number 4975-00400.

If a chemical sanitizer other than chlorine, iodine or quaternary ammonium is used, it shall be applied in accordance with the EPA-registered label use instructions.

WARNING

For cleaning the sharp areas of the plates, the food press and the blade, we recommend using protective gloves.

Rinse well with a lot of hot clean water and dry with a soft cloth or a spongy material. Do not clean the slicer with water or stream jets or similar methods.

Clean all the removed parts using a cloth and a cleaning solution. Rinse with hot water. Sanitize and let air dry.

Clean the sharpener cover with water and detergent. Carefully clean the sharpener assembly and around the stones. DO NOT submerge the sharpener assembly.

CLEANING SHARPENING STONES

CAUTION

Dirty stones cannot sharpen!
If the sharpening stones have become coated with food fats
or metallic build-up, they will not sharpen effectively.

Each time the sharpener is used, the sharpening stones should be examined for cleanliness. Turn off the slicer, close the gauge plate, unplug power cord and open the sharpener cover.

If there is evidence of fatty or metallic build-up in the stones, they must be cleaned. Otherwise, they will not have the abrasive quality necessary to sharpen.

Clean as follows:

1. Remove the nuts and take the stones off the shafts.
2. Soak the stones in a solution of dish soap (i.e. Joy, Dawn, etc.) and water for one hour.
3. Scrub the stones with a stiff bristle brush (Berkel Part # 4975-9237). Rinse thoroughly at a sink.
4. Shake excess water out and pat partially dry with paper toweling or a clean cloth towel. Set aside to air dry.
5. Once the stones are dry (after 24 hours), oil the shafts with Berkel Food Machine Oil.
6. Reassemble.

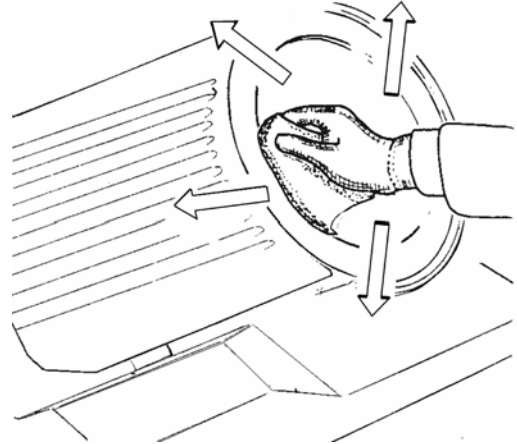
Berkel recommends that a spare set of stones (Berkel Part #825-00112) be kept available for thorough cleaning procedures, and in case of breakage, so you will not lose your sharpening capabilities.

CLEANING THE BLADE

WARNING

Use protective gloves and concentrate on the job at hand. **DANGER!** Make sure thickness control knob is fully to the right, so the gauge plate covers the knife.

1. Press a damp cloth on the surface of the blade and move it slowly from the center to the edge, as shown in the picture, on the side of the blade cover and on the other side.
2. Sanitize and dry in the same way using a dry cloth.
3. Repeat cleaning both front and back of knife with clear water.
4. Always move from the center outward. **NEVER MOVE YOUR HAND TOWARDS THE EDGE OF THE KNIFE.** Sanitize and allow to dry.

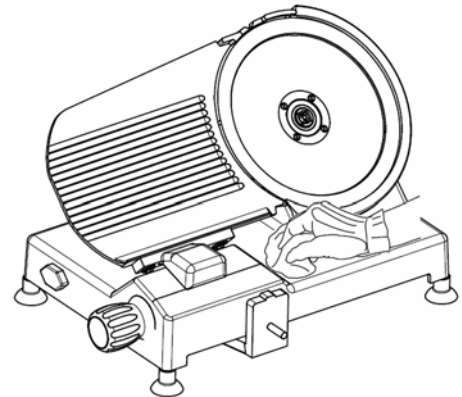


CLEANING THE RING GUARD

1. Fold a cloth wipe that has been submerged in fresh detergent solution and work it between the ring guard and the knife, starting at the base of the ring guard. Carefully work the cloth around the knife, cleaning the edge of the ring guard and edge of the gauge plate. **USE EXTREME CAUTION.**
2. Sanitize and allow to dry.

CLEANING THE BODY OF THE MACHINE

1. Clean the machine body with a damp cloth or a sponge rinsing frequently with hot water and cleaning solution. Rinse with hot water. Sanitize and let air dry.
2. Clean also the gauge plate and the indexing knob. While doing this operation pay attention to the knife. Don't open the gauge plate or you risk to be cut!



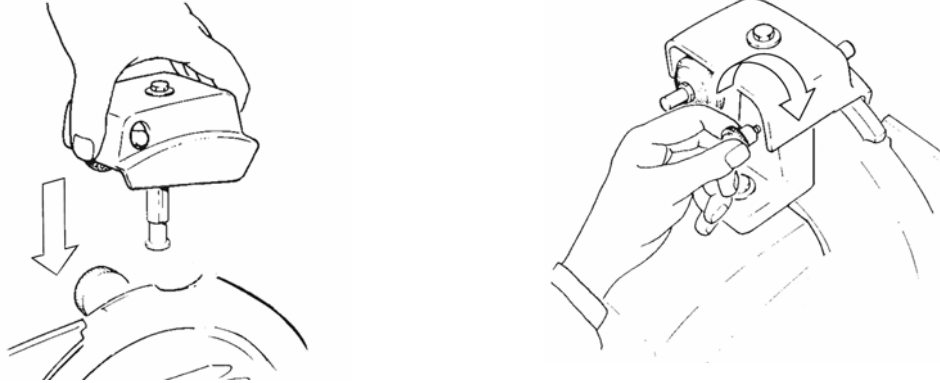
CLEANING THE COMPONENTS IN THE BASE

The components contained in the base do not need any special cleaning; occasionally remove the dust that can accumulate in the end area of the carriage and of the thickness plate regulation.

REASSEMBLING THE SLICING MACHINE

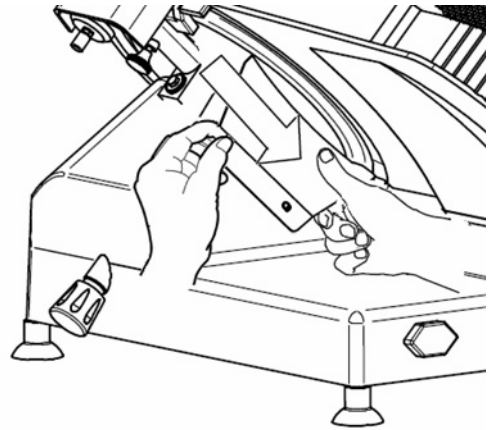
Reassembling the sharpener

1. Make sure the sharpener knob at the base of the sharpener is loose (about 10 turns).
2. Insert the sharpener as shown in the picture until it stops at its correct position and screw the knob.



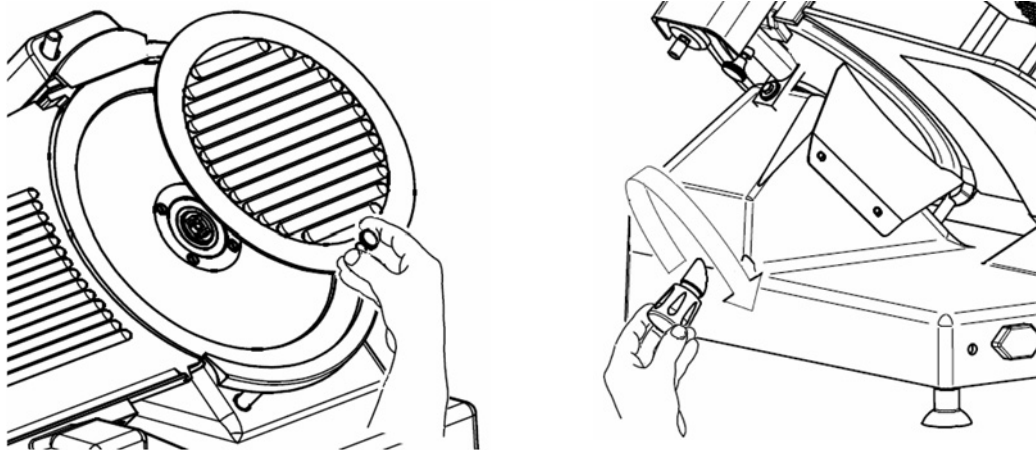
Reassembling the slice deflector

1. Place the slice deflector carefully in its place as shown in the picture.



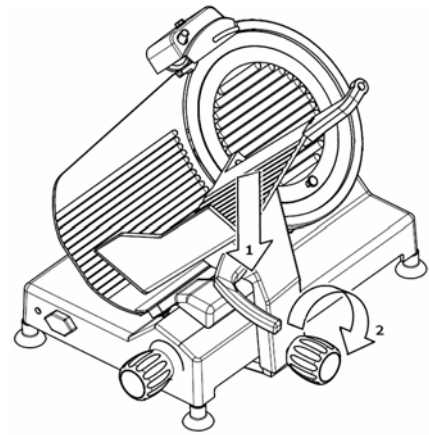
Reassembling the Center Plate

1. Replace the center plate as shown in the picture making sure the section joint is in its proper place.
2. Insert the tension rod for locking and screw completely.
3. Reassemble carefully and do not strip the rod threads or center plate bushing threads.



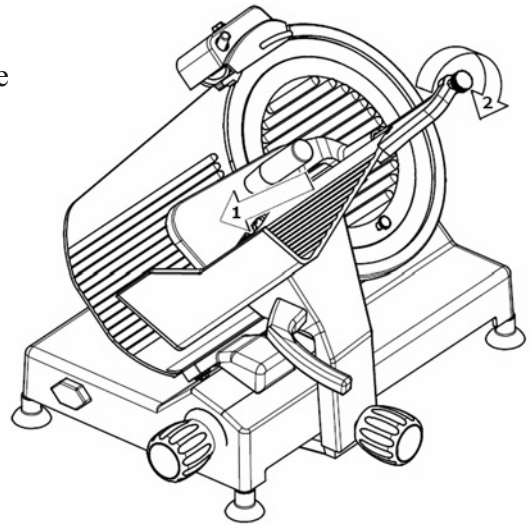
Reassembling the product table

1. Insert the entire group on the carriage as shown in the picture.
2. Tighten the locking knob.



Reassembling the meat pusher

1. Insert the rod in the meat pusher and in the hole of the extension.
2. Tighten the locking knob.



Sharpening Instructions

CAUTION

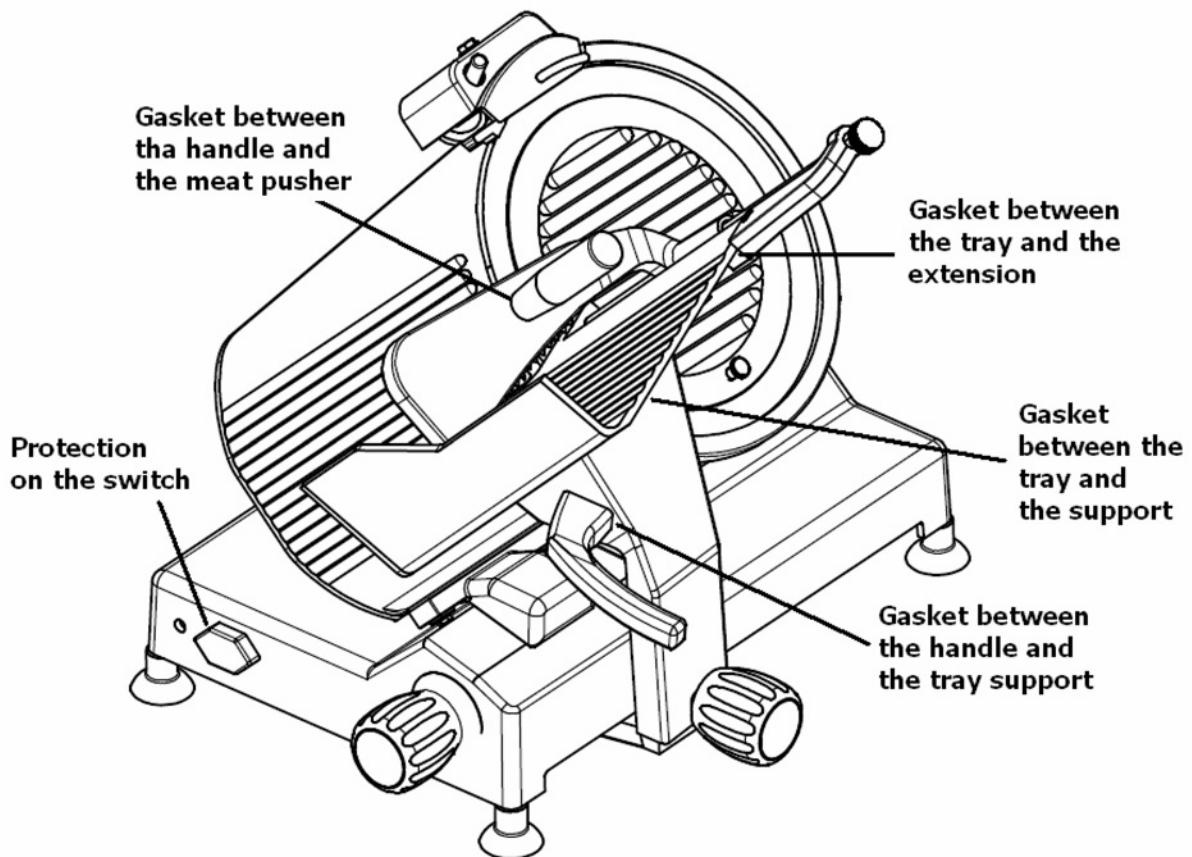
The knife should be sharpened at a minimum on a daily basis. Do not sharpen a knife that is not clean. You will damage the Sharpening stones and be unable to sharpen the knife.

1. Switch OFF the power.
 2. Unplug the slicer.
 3. Turn the thickness control knob fully to the right to place the gauge plate in the fully closed position.
 4. Clean the knife completely. Always clean from the center towards the outside edge of the knife. Never move your hand towards the edge of the knife.
 5. Loosen the sharpener locking knob, raise and rotate the sharpener until the stones sit with one on each side of the knife. Retighten the knob to hold the sharpener in its sharpening position.
 6. Plug in the slicer and switch on the power.
 7. Press the sharpening stone push-button to bring the stone against the knife and hold it for 5 to 10 seconds and release. When the sharpener is in the sharpening position, the sharpening stone push-button is on the left side of the knife.
 8. Press the deburring stone push-button to bring the stone against the knife and hold it for 2 to 3 seconds and release. When the sharpener is in the sharpening position, the sharpening stone push-button is on the right side of the knife.
 9. Switch OFF the power.
 10. Return the sharpener to its stored position and lock in place.
 11. Clean slicer before slicing product. (See “Cleaning and Sanitizing instruction”).
- Your slicer is now sharpened, cleaned and sanitized—ready to use.

SHARPENER MAINTENANCE

1. Turn OFF the slicer, turn index knob fully to the right and unplug the power cord from the receptacle.
2. Loosen the sharpener locking knob and lift off the sharpener.
3. Clean the cover with water and detergent. Carefully clean the sharpener assembly and around the stones. DO NOT submerge the sharpener assembly. Oil the spindle and bearing assemblies with Berkel Food Machine Oil.
4. Check the stones. If they do not turn freely, are greasy or are full of metallic build-up, they must be cleaned. (See “Cleaning the Sharpening Stones”). If the stones are cracked or chipped they must be replaced.
5. Oil the sharpener shafts. Place a few drops of Berkel Food Machine Oil on each shaft. Move the sharpening and deburring stone push buttons back and forth to make sure that the stones move in and out easily. Also, rotate the stones to make sure they turn freely.
6. Oil the mounting post.
7. Replace the sharpener. Sharpener must be all the way down protecting the top of the knife. Lock in place.

Gasket Inspection



The recommended interval between inspections shall not exceed six months for components that are detached for cleaning and sanitizing (all the gaskets in the images).

The inspections must be made by the manufacturer or its authorized service agent.

WARNING

The slicer must be removed from service until repaired by the manufacturer or its authorized service agent if any gasket or seal is found to be damaged, or missing.

Repair Parts/Repair Service/Exploded Views

Please contact Hobart Service or your designated Berkel Service Location (DBSL) for any repair parts/repair service required on your Berkel slicer. For the nearest Hobart service office, please visit www.hobartservice.com and then click on “locate an office”. Then either enter your ZIP CODE or select a state to find the closest location. Or you can also visit www.berkelequipment.com and click on the “Service tab”. Then enter your ZIP CODE to be shown the closest Hobart or Berkel DBSL service locations. Other product information such as Parts Catalogs and Instruction/Operator Manuals are also available on the www.berkelequipment.com website. Click on the “Resource Center tab”, and then click on the information category you want to read or download. Be sure to enter your product model number. Additional information may be obtained from:

Berkel Company

2006 Northwestern Parkway

Louisville, KY 40201

Phone: 800-348-0251

Fax: 888-888-2838

www.berkelequipment.com

Troubleshooting

Should your slicer fail to function properly, here are a few things you can check before calling a Berkel Serviceman.

Product not slicing properly; thick and thin or irregular slices

- Is the knife sharp? If not, sharpen according to instructions in this manual. Remember, only sharpen a clean knife.
- Does the product size exceed the capacity of the slicer? Too large a product may rub against the sharpener assembly causing interference to normal slicing.
- Is the product positioned correctly and held securely on the product table? If not, product may move or rotate during slicing operation resulting in partial or thick and thin slices.
- Are all components held securely in place? A loose product table or pusher can cause inconsistent slices.

Knife not sharpening

- Are sharpening procedures being followed exactly as explained in this manual.
- Are sharpening stones clean? If not, clean according to instructions given in “Sharpener Maintenance” section).
- Is the knife clean? If coated with food fats, sharpener stones cannot sharpen. Clean per instructions in this manual.
- Are sharpening stones making solid contact with the knife? If not, have your Berkel serviceman adjust them.
- Are sharpening stones severely worn and not making contact with the knife? Are the sharpening stones cracked or chipped? If so, have your Berkel serviceman replace and adjust the new stones to the proper position for best sharpening results.

Electrical failure

- Is slicer fully plugged into a properly grounded 115V AC outlet? If properly connected, the white power ON light should be illuminated when the slicer is on.
- Inspect power cord. Has it been damaged, cutting off electrical flow? If so, call your Berkel serviceman to replace the power cord.
- Are you getting electricity from the wall outlet? Check by plugging in another piece of equipment with the same electrical requirements. Also, check circuit breaker or fuse.
- If you are getting electrical power and your slicer is still not operating, contact your Berkel serviceman.

Thickness control knob not operating gauge plate

- If the thickness control knob is not opening and closing the gauge plate properly, it is a sign that the internal mechanism has suffered some loss of adjustment. Do not try to adjust the mechanism yourself. Call your Hobart or Berkel Serviceman.

If correction of any of the above conditions does not result in a functional slicer, call your Designated Hobart or Berkel Service Location



Get more done.

Warranty

Effective: February 14, 2002

Berkel Company ("Berkel") warrants to the Buyer of new equipment that said equipment, when installed in accordance with our instructions and subjected to normal use, is free from defects in material or workmanship for a period of one (1) year from the date of sale.¹

BERKEL SPECIFICALLY DISCLAIMS ANY IMPLIED WARRANTY OF MERCHANTABILITY OR EXPRESS OR IMPLIED WARRANTY OF FITNESS FOR A PARTICULAR PURPOSE.

Berkel's obligation and liability under this warranty is expressly limited to repairing or replacing equipment that proves to be defective in material or workmanship within the applicable warranty period. Berkel or a Designated Berkel Service Location will perform all repairs pursuant to this warranty. Berkel expressly excludes responsibility for incidental or consequential damages to buyer or any third party, including, without limitation, damages arising from personal injuries, lost profits, loss of business opportunity, loss of property, economic losses, or statutory or exemplary damages, whether in negligence, warranty, strict liability or otherwise.

This warranty does not apply to: periodic maintenance of equipment including but not limited to lubrication, replacement of worn blades, knives, stones, knobs, accessories, and miscellaneous expendable supply items, and other adjustments required due to installation set-up or normal wear.

These warranties are given only to the first purchaser from a Berkel Authorized Channel of Distribution. No warranty is given to subsequent transferees.

The foregoing warranty provisions are a complete and exclusive statement of the warranty between the buyer and seller. Berkel neither assumes nor authorizes any persons to assume any other obligation or liability connection with said equipment. This warranty supersedes any and all prior warranties to the subject hereof.



MODE D'EMPLOI PROPRIÉTAIRE & USAGER



TRANCHEUSES MODÈLES

823E-PLUS, 825E-PLUS,
825A-PLUS, 827E-PLUS,
827A-PLUS, & 829E-PLUS

AVIS IMPORTANT

Ce manuel contient des directives de sécurité importantes qui doivent être suivies rigoureusement lors de l'utilisation de cet appareil.

AVANT D'UTILISER CET APPAREIL

Les trancheuses Berkel sont conçues pour trancher de la viande et d'autres produits alimentaires de façon efficace et sécuritaire. Il subsiste toutefois un risque de blessure grave si l'utilisateur n'est pas formé et encadré adéquatement. C'est la responsabilité du propriétaire de s'assurer que cette trancheuse est utilisée correctement et de manière sécuritaire, et de faire en sorte que les utilisateurs suivent rigoureusement les instructions de ce manuel et respectent la réglementation locale.

Personne ne devrait utiliser ou entretenir cette trancheuse sans une supervision adéquate, et sans avoir suivi une formation appropriée. Tout utilisateur doit bien connaître les procédures présentées dans ce manuel. Toutefois, Berkel ne peut prévoir toutes les situations ni tous les environnements dans lesquels ses trancheuses seront utilisées. C'est donc vous, le propriétaire et l'utilisateur, qui devez demeurer vigilants face aux dangers inhérents à l'utilisation d'une trancheuse et en particulier, de la lame rotative très tranchante et du chariot mobile. Cet appareil ne doit pas être utilisé par une personne de moins de 18 ans. Si vous avez des doutes à l'égard d'une certaine tâche à effectuer, consultez votre superviseur.

Ce manuel présente un certain nombre de pratiques sécuritaires énoncées sous la rubrique « Consignes générales de sécurité ». De plus, des avertissements supplémentaires apparaissent à plusieurs endroits du manuel. **LES AVERTISSEMENTS CONCERNANT VOTRE SÉCURITÉ PERSONNELLE SONT INDIQUÉS PAR LA VIGNETTE:**

AVERTISSEMENT

Si vous perdez des autocollants d'avertissement, des affiches murales ou des manuels d'utilisation, ou encore si l'un de ces derniers subit des dommages ou devient illisible, veuillez contacter le détaillant de votre région, ou Berkel directement, qui les remplacera gratuitement.

Souvenez-vous toutefois **QUE NI CE MANUEL NI LES AUTOCOLLANTS D'AVERTISSEMENT NE SAURAIENT REMPLACER LA NÉCESSITÉ DE DEMEURER VIGILANT ET DE FAIRE PREUVE DE BON SENS LORS DE L'UTILISATION DE CETTE TRANCHEUSE.**

TABLE DES MATIÈRES

	<i>Page</i>
Instructions générales de sécurité	2
Description de l'appareil	5
Déballage et installation	6
Fonctionnement	6
Consignes de nettoyage et de désinfection.....	7
Instructions d'affûtage.....	14
Inspection des joints	15
Pièces de rechanges/Service de réparation	16
Dépannage.....	17
Garantie	18

La Société Berkel • Le leader mondial dans la fabrication de trancheuses et d'appareils pour la préparation alimentaire

LA SOCIÉTÉ BERKEL

2006 Northwestern Parkway • Louisville, KY 40201

Téléphone: (800) 348-0251 • Fax (888) 888-2838

www.berkelequipment.com

⚠ AVERTISSEMENT

LAME ROTATIVE TRÈS TRANCHANTE

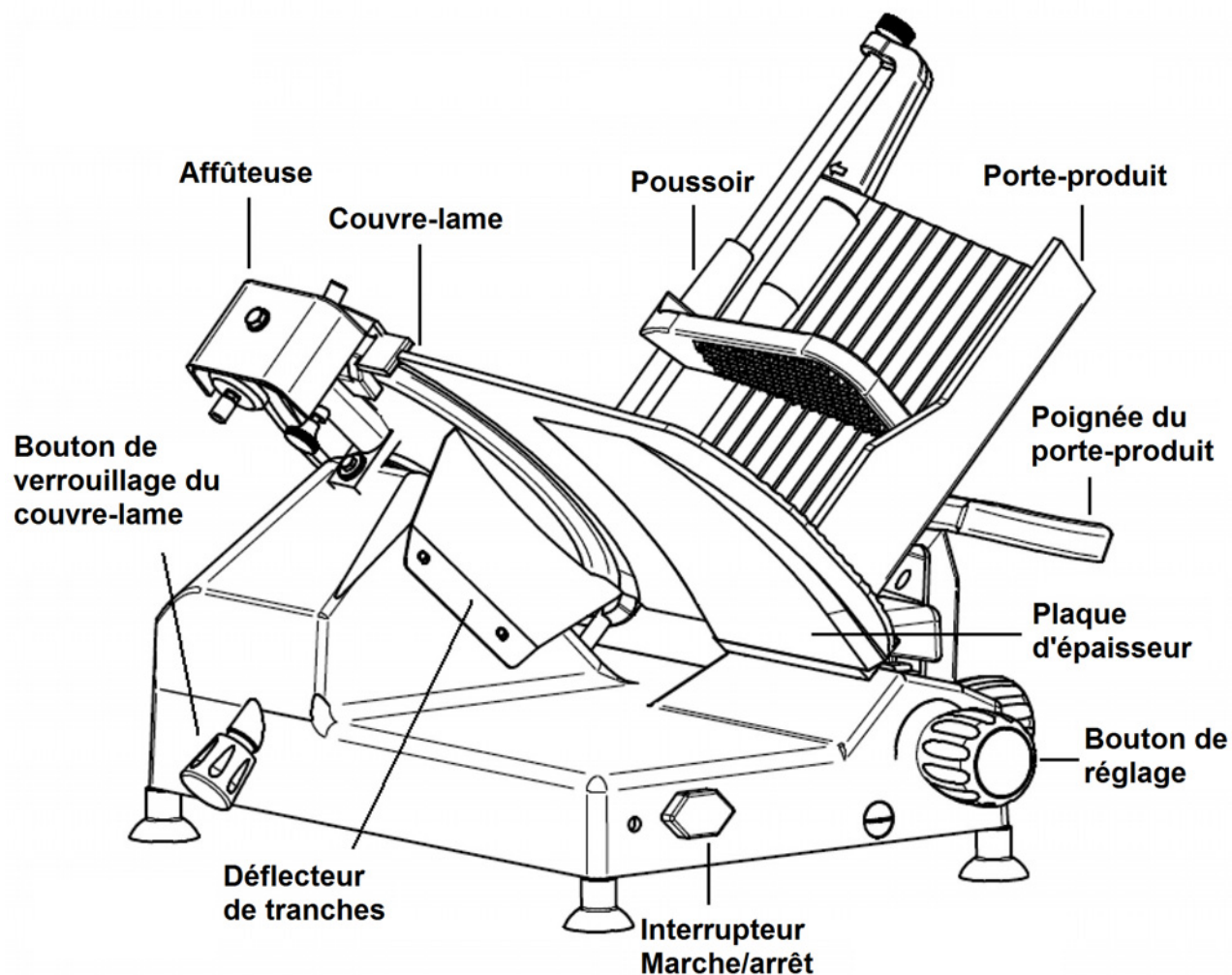
Suivre toutes les instructions de ce manuel afin

d'éviter de graves blessures et :

1. Ne touchez JAMAIS à cet appareil sans formation et sans l'autorisation de votre superviseur.
2. L'APPAREIL DOIT ÊTRE PLACÉ sur une surface solide et de niveau.
3. Les GARDES de protection DOIVENT ÊTRE en place avant de mettre l'appareil en marche.
4. TOUJOURS utiliser la fiche à 3 branches livrée.
5. Utilisez TOUJOURS le poussoir et non votre main.
6. NE TOUCHEZ JAMAIS À LA LAME ROTATIVE.
7. GARDEZ vos mains, vos bras, vos cheveux et vos vêtements amples loin des parties mobiles.
8. SI L'APPAREIL VENAIT À BLOQUER, mettez-le à l'arrêt et débranchez-le avant de retirer l'obstruction.
9. METTEZ L'APPAREIL À L'ARRÊT ET DÉBRANCHEZ-LE avant son nettoyage, sa désinfection ou son entretien.
10. N'UTILISEZ QUE les accessoires livrés par le fabricant.
11. Si l'une des étiquettes d'avertissement de l'appareil se détache ou devient illisible, contactez le fabricant ou votre Centre de service autorisé Berkel pour obtenir gratuitement une nouvelle étiquette.



Description de l'appareil



⚠ AVERTISSEMENT

Pour éviter des dommages corporels graves,

installez correctement la trancheuse dans une zone de travail appropriée

- Utilisez TOUJOURS un technicien qualifié pour l'installation.
- Installez TOUJOURS la trancheuse dans une zone de travail assez spacieuse et bien éclairée.
- Ne faites fonctionner la trancheuse QUE sur un support solide et de niveau.
- Ne contournez JAMAIS ni ne modifiez les commutateurs ou les circuits.
- Ne faites JAMAIS fonctionner la trancheuse sans que les protecteurs ne soient en place.
- Ne vous servez JAMAIS de la trancheuse sans que tous les autocollants d'avertissement et les tableaux muraux ne soient affichés.

Déballage et Installation

DÉBALLAGE ET MONTAGE

- Une fois la trancheuse retirée de son emballage et de sa boîte d'expédition, vous devez la vérifier attentivement afin de vous assurer qu'elle n'a subi aucun dommage durant l'expédition. Ne branchez pas le cordon d'alimentation et ne tentez pas d'utiliser la trancheuse avant d'avoir effectué cet examen.
- Vérifiez attentivement tous les composants de la trancheuse, tels que le porte-produit, le poussoir, l'affûteuse, le bouton du contrôle d'épaisseur, etc., afin de vous assurer qu'ils bougent librement et qu'il n'y a aucune obstruction. Tournez le bouton du contrôle d'épaisseur complètement vers la droite. À l'aide du lubrifiant pour appareils alimentaires Berkel, lubrifiez la barre de glissement du poussoir (sur le chariot mobile) ainsi que les rails de soutien carrés et ronds du chariot mobile (sous la trancheuse).

AVERTISSEMENT

N'utilisez que du lubrifiant approuvé par l'USDA sur cette trancheuse. Tout lubrifiant non-approuvé par l'USDA peut la contaminer et provoquer des empoisonnements alimentaires, ainsi que des dommages corporels. Le lubrifiant Berkel est approuvé par l'USDA pour les appareils servant à la transformation des aliments. Il peut être acheté de Berkel en bouteilles de 2 onces (No de pièce 4675-0182), en bouteilles de 16 onces (No de pièce 4675-0183) ou en gallons US (No de pièce 4675-0184).

Tests préalables à l'utilisation

1. Assurez-vous que l'interrupteur MARCHE/ARRÊT est à la position « 0 », et que le bouton du contrôle d'épaisseur est tourné le plus à droite possible. Ceci positionne la plaque d'épaisseur de façon à ne pas exposer la lame rotative durant les tests.
2. Branchez le cordon d'alimentation dans une prise électrique de 120V munie d'une mise à terre.
3. Faites glisser le chariot mobile de l'avant vers l'arrière à l'aide de la poignée du chariot mobile. S'il y a une quelconque résistance, ou une obstruction, éteignez l'appareil, débranchez le cordon d'alimentation et contactez votre technicien d'entretien Berkel.
4. Allumez la trancheuse en faisant tourner l'interrupteur vers la position « I », et assurez-vous que la lame rotative tourne avec aisance. Éteignez la trancheuse.

AVERTISSEMENT

NE BOUGEZ PAS, NI DÉPLACEZ LE CHARIOT MOBILE SANS UTILISER LA POIGNÉE.

Fonctionnement

Général

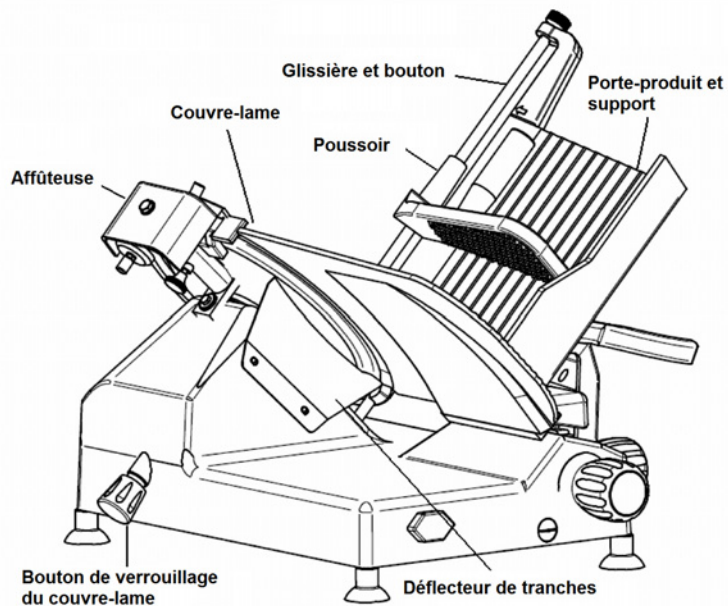
1. Tournez le poussoir hors de portée et placez-le dans le cran d'arrêt au bas du porte-produit. Posez le produit à trancher sur le porte-produit. Placez le poussoir au bout du produit. Si le produit que vous travaillez est long, placez-y le poussoir sur le dessus. Le poussoir fera avancer le produit vers la lame après chaque tranche.
2. Allumez la trancheuse.
3. Le bouton de réglage vous permet de varier l'épaisseur des tranches depuis fin comme du papier jusqu'à 9/16 po (14,3 mm). Pour faire des tranches plus fines, faites pivoter le bouton de réglage vers la droite, et vers la gauche pour des tranches plus épaisses.
4. Le porte-produit est équipé d'une poignée pour le faire aller vers l'avant et revenir en arrière.

Consignes de nettoyage et de désinfection

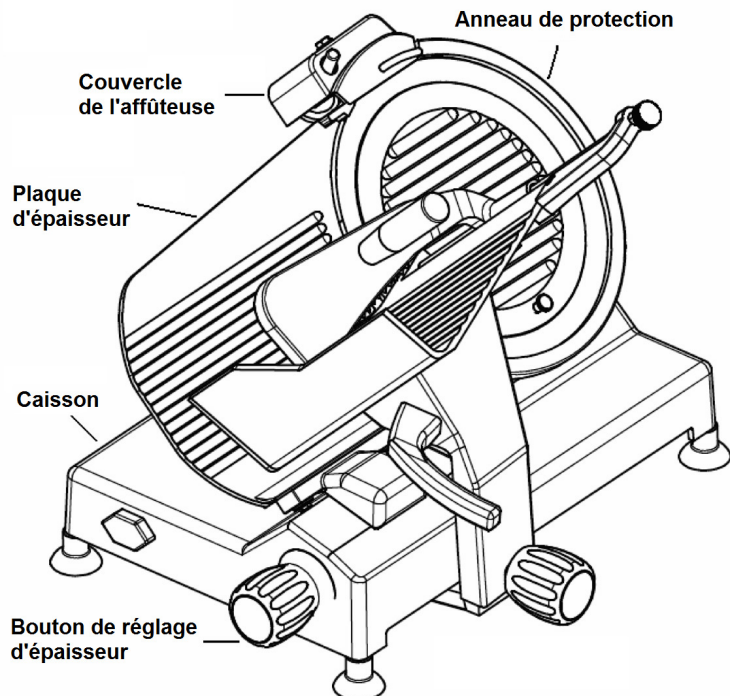
INFORMATION GÉNÉRALE

Cet appareil devra être nettoyé et désinfecté à intervalles réguliers pour se conformer aux codes de santé nationaux, ceux des états et/ou les codes locaux. Nous recommandons de bien laver l'appareil au moins une fois par jour et même plus si nécessaire. Si les appareils n'ont pas servi pendant un certain temps, ils doivent également être lavés avant de les utiliser.

PIÈCES QUI DOIVENT ÊTRE RETIRÉES POUR NETTOYAGE

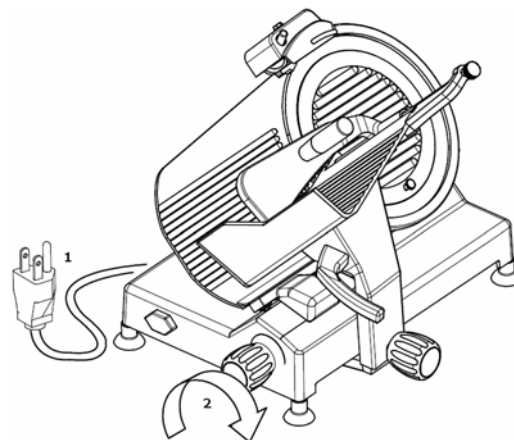


AUTRES PIÈCES QUI DOIVENT ÊTRE NETTOYÉES



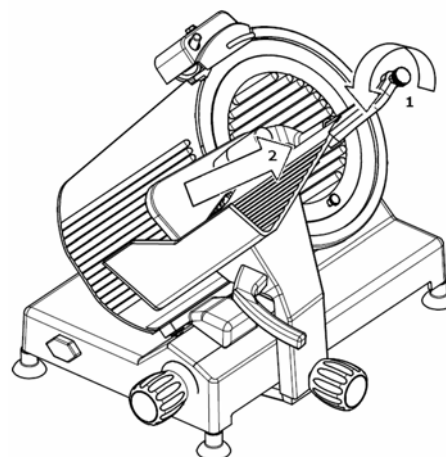
DÉMONTAGE DE L'APPAREIL POUR NETTOYAGE

1. Débranchez la fiche de l'alimentation électrique.
2. Tournez le bouton de réglage de la plaque d'épaisseur à la position «0»
3. Retirez les différents éléments ainsi que décrits aux paragraphes ci-dessous.



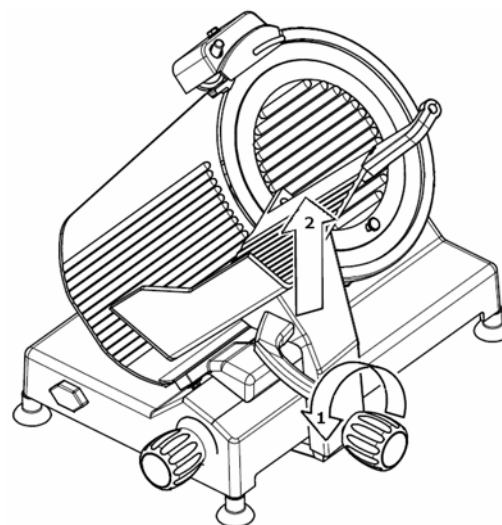
Démontage du poussoir

1. Dévissez le bouton pour extraire la tige du porte-produit.
2. Retirez le poussoir.



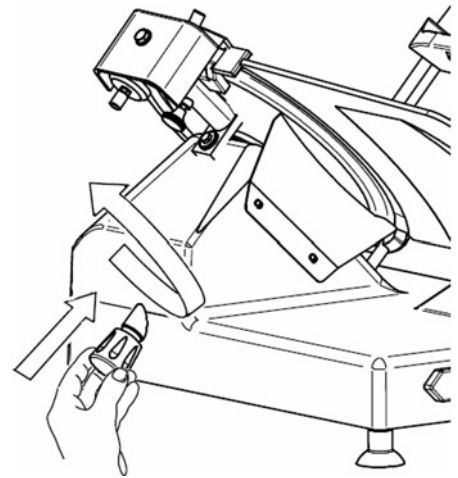
Démontage du porte-produit

1. Dévissez complètement le bouton dans le sens antihoraire et retirez-le.
2. Retirez tout l'ensemble en le tirant vers le haut.



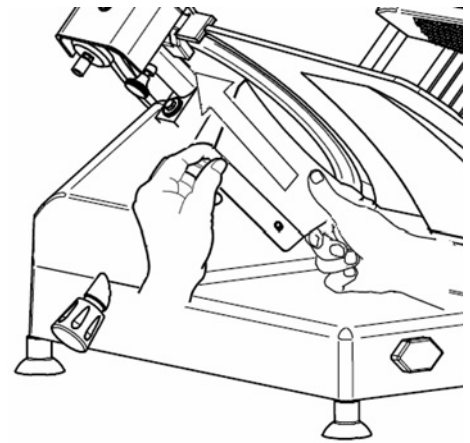
Démontage de la plaque couvre-lame

1. Dévissez le bouton de verrouillage du couvre-lame.
2. Poussez sur le bouton pour déplacer la plaque hors de la lame.
3. Retirez la plaque couvre-lame ainsi que le bouton de verrouillage.



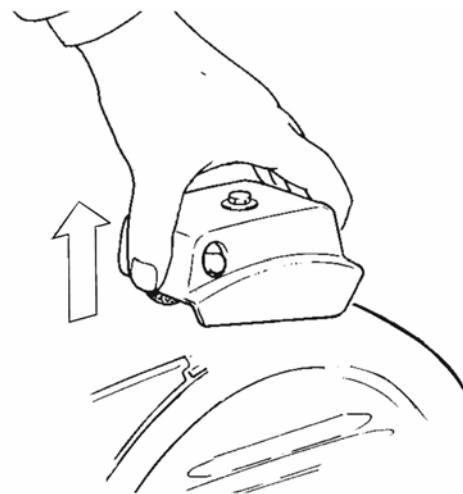
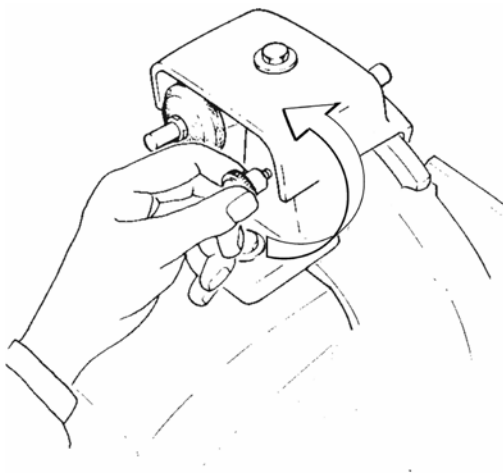
Démontage du déflecteur de tranches

1. Retirez le déflecteur de tranches qui est fixé au caisson principal de la trancheuse tel qu'illustré sur la photo.



Démontage de l'affûteuse

1. Dévissez le bouton sous l'ensemble d'affûtage sans le retirer.
2. Retirez ensuite toute l'affûteuse en la tirant vers le haut.



PRODUITS À UTILISER POUR LE NETTOYAGE

N'utilisez que de l'eau chaude mélangée à un savon à vaisselle biodégradable d'un pH de 7 à 8, à une température égale ou plus élevée que 30°C ou 86°F; servez-vous d'un chiffon doux spongieux et d'une brosse à poils en nylon semi-rigides pour le couvre-lame et les pointes acérées du presse-produit.

La concentration du désinfectant devra être conforme au Code alimentaire FDA, Section 4-501,114 portant sur l'équipement de lavage de la vaisselle manuel et mécanique quant à la désinfection chimique, la température, le pH, la concentration et la dureté. Berkel recommande d'utiliser son désinfectant approuvé par FDA, numéro de pièce 4975-00400.

Si vous utilisez un produit autre que le chlore, l'iode ou l'ammonium quaternaire, il devra être manié en observant les instructions d'utilisation de l'étiquette enregistrée auprès de l'APE (EPA).

AVERTISSEMENT

Pour le nettoyage des zones acérées des plaques, du poussoir et de la lame, nous recommandons le port de gants de sécurité.

Rincez à fond avec beaucoup d'eau chaude fraîche et asséchez avec un chiffon doux ou un matériel spongieux. Ne nettoyez pas la trancheuse avec un jet à haute pression ou autres méthodes similaires.

Nettoyez toutes les pièces retirées à l'aide d'un chiffon et d'une solution de nettoyage. Rincez à l'eau chaude. Désinfectez-les et laissez-les sécher à l'air.

Nettoyez le couvercle de l'affûteuse avec de l'eau et du savon. Nettoyez soigneusement l'ensemble d'affûtage et alentour des pierres. NE PAS immerger l'ensemble d'affûtage.

NETTOYAGE DES PIERRES D'AFFÛTAGE

ATTENTION

Des pierres souillées ne peuvent pas affûter!
Si du gras alimentaire ou des débris métalliques se sont accumulés sur les pierres d'affûtage, elles ne travailleront pas efficacement.

La propreté des pierres devraient être contrôlée chaque fois que vous utilisez l'affûteuse. Éteignez l'appareil, fermez la plaque d'épaisseur, débranchez l'alimentation et ouvrez le couvercle de l'affûteuse.

S'il appert qu'il y a accumulation de gras ou de débris métalliques sur les pierres, elles doivent être nettoyées car elles n'auront pas les qualités abrasive requises pour bien affûter.

Suivez la méthode de nettoyage ci-dessous:

1. Retirez les écrous et sortez les pierres de leur axe.
2. Faites tremper les pierres pendant une heure dans une solution d'eau et de savon à vaisselle (p.ex. Joy, Dawn, etc.).
3. Frottez les pierres avec une brosse à poils rigides (N° de pièce Berkel 4975-9237). Rincez-les à fond à l'évier.
4. Secouez l'excès d'eau et faites-les sécher partiellement en les tapotant avec une serviette de papier ou un linge propre. Mettez-les de côté pour les laisser sécher à l'air.
5. Lorsque les pierres sont sèches (après 24 heures), huilez les arbres avec de l'huile pour produits

alimentaires Berkel.

6. Procédez au remontage.

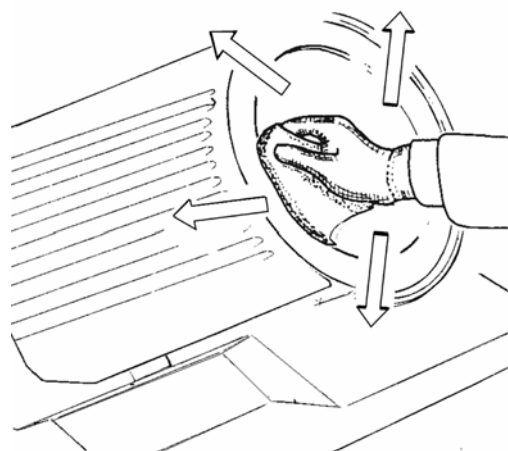
Pour un nettoyage en profondeur, et en cas de bris, Berkel recommande de garder un jeu de pierres de rechange (N° de pièce Berkel 825-00112) disponible. Ainsi, vous ne perdrez pas vos possibilités d'affûtage.

NETTOYAGE DE LA LAME

AVERTISSEMENT

Portez des gants de sécurité et concentrez-vous sur le travail à faire. DANGER! Assurez-vous que le bouton de contrôle de l'épaisseur est tourné complètement à droite pour que la plaque d'épaisseur couvre la lame.

1. Appuyez un linge humide sur la surface de la lame et déplacez-le lentement du centre jusqu'au rebord, tel qu'illustré sur la photo, du côté du couvre-lame et de l'autre côté.
2. Désinfectez et asséchez de la même façon à l'aide d'un chiffon sec.
3. Répétez le nettoyage à l'eau claire sur le devant et l'arrière de la lame.
4. Allez toujours du centre vers l'extérieur. **NE DÉPLACEZ JAMAIS VOS MAINS VERS LE TRANCHANT DE LA LAME.** Désinfectez et laissez sécher.

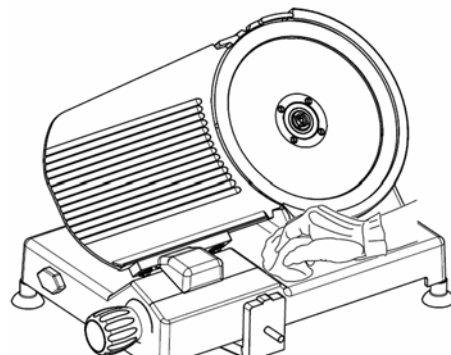


NETTOYAGE DE L'ANNEAU DE PROTECTION

1. Pliez un chiffon à essuyer plongé dans une solution savonneuse fraîche et passez-le entre l'anneau de protection et la lame, en commençant par la base de l'anneau. Faites passer le chiffon prudemment autour de la lame en nettoyant le rebord de l'anneau de protection et le rebord de la plaque d'épaisseur. **SOYEZ EXTRÊMEMENT PRUDENT.**
2. Désinfectez et laissez sécher.

NETTOYAGE DU CAISSON DE L'APPAREIL

1. Nettoyez le caisson de la machine avec un linge humide ou une éponge que vous rincez souvent dans une solution de nettoyage à l'eau chaude. Désinfectez et laissez sécher à l'air.
2. Nettoyez aussi la plaque d'épaisseur et le bouton de réglage. Ce faisant, faites attention à la lame. N'ouvrez pas la plaque d'épaisseur car vous risquez de vous couper!



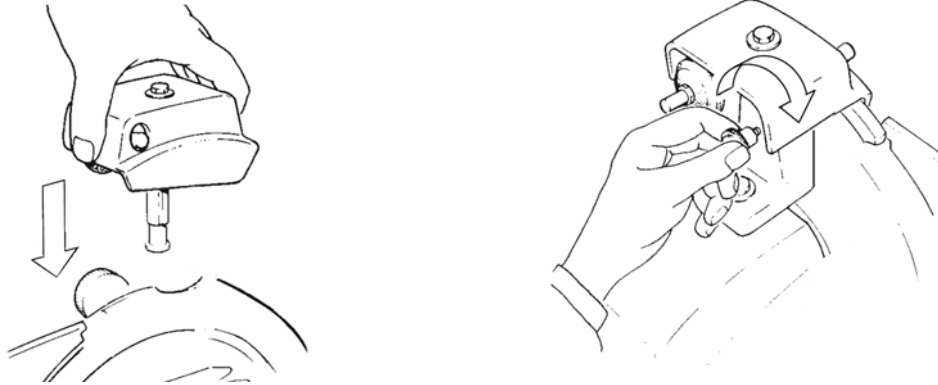
NETTOYAGE DES ÉLÉMENTS DU CAISSON

Les éléments attachés au caisson n'exigent pas de nettoyage spécial; à l'occasion, enlevez la poussière qui peut s'accumuler dans la zone de l'extrémité du chariot porte-produit et du réglage de la plaque d'épaisseur.

REMONTAGE DE LA TRANCHEUSE

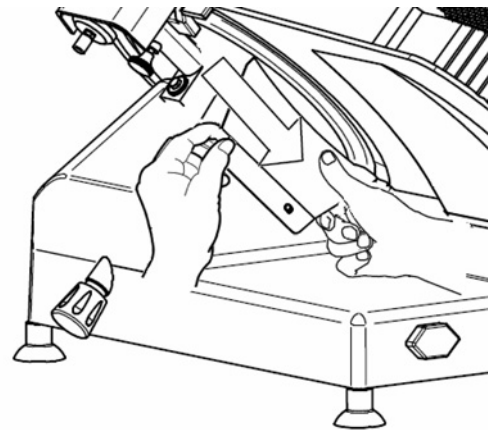
Remontage de l'affûteuse

1. Assurez-vous d'avoir dévissé le bouton à la base de l'affûteuse (environ 10 tours).
2. Insérez l'affûteuse tel qu'illustré sur la photo jusqu'à ce qu'elle se bloque en bonne position et revissez le bouton.



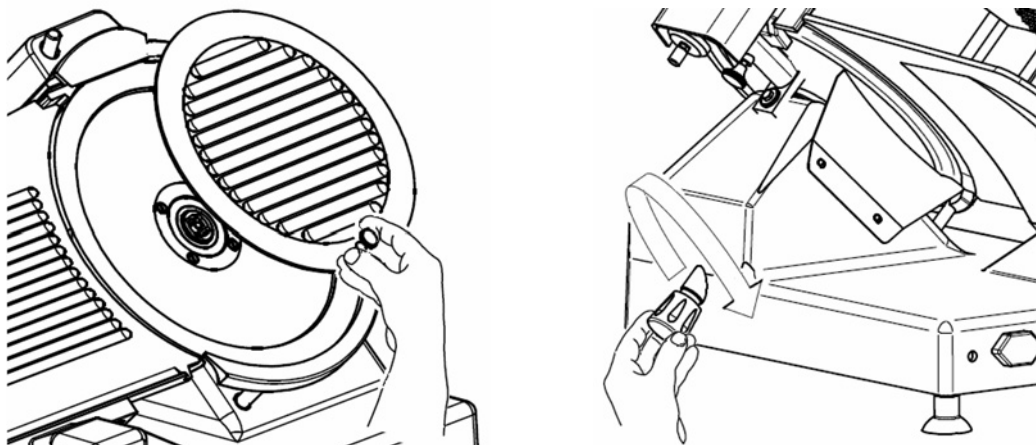
Remontage du déflecteur de tranches

1. Posez le déflecteur de tranches à sa place avec prudence tel qu'illustré sur la photo.



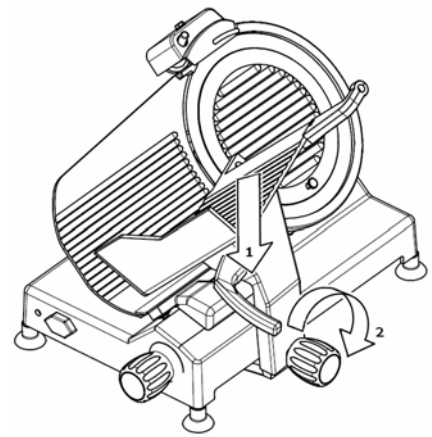
Remontage de la plaque couvre-lame

1. Remplacez le couvre-lame tel qu'illustré sur la photo en prenant soin de correctement placer le joint sectionnel.
2. Insérez la tige de tension et de verrouillage et vissez-la complètement.
3. Soyez attentif lors du remontage pour ne pas écraser les filets de la tige ou ceux de la douille du couvre-lame.



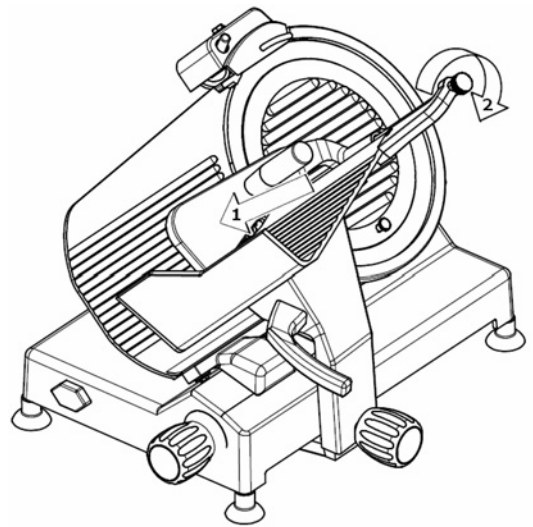
Remontage du porte-produit

1. Insérez l'ensemble complet sur le chariot tel qu'illustré sur la photo.
2. Resserrez le bouton de verrouillage.



Remontage du poussoir

1. Insérez la tige dans le poussoir et dans l'orifice de l'extension.
2. Resserrez le bouton de verrouillage.



Instructions d'affûtage

ATTENTION

La lame devrait être affûtée au moins quotidiennement. N'affûtez pas une lame salie. Vous endommagerez les pierres d'affûtage et serez incapable d'aiguiser la lame.

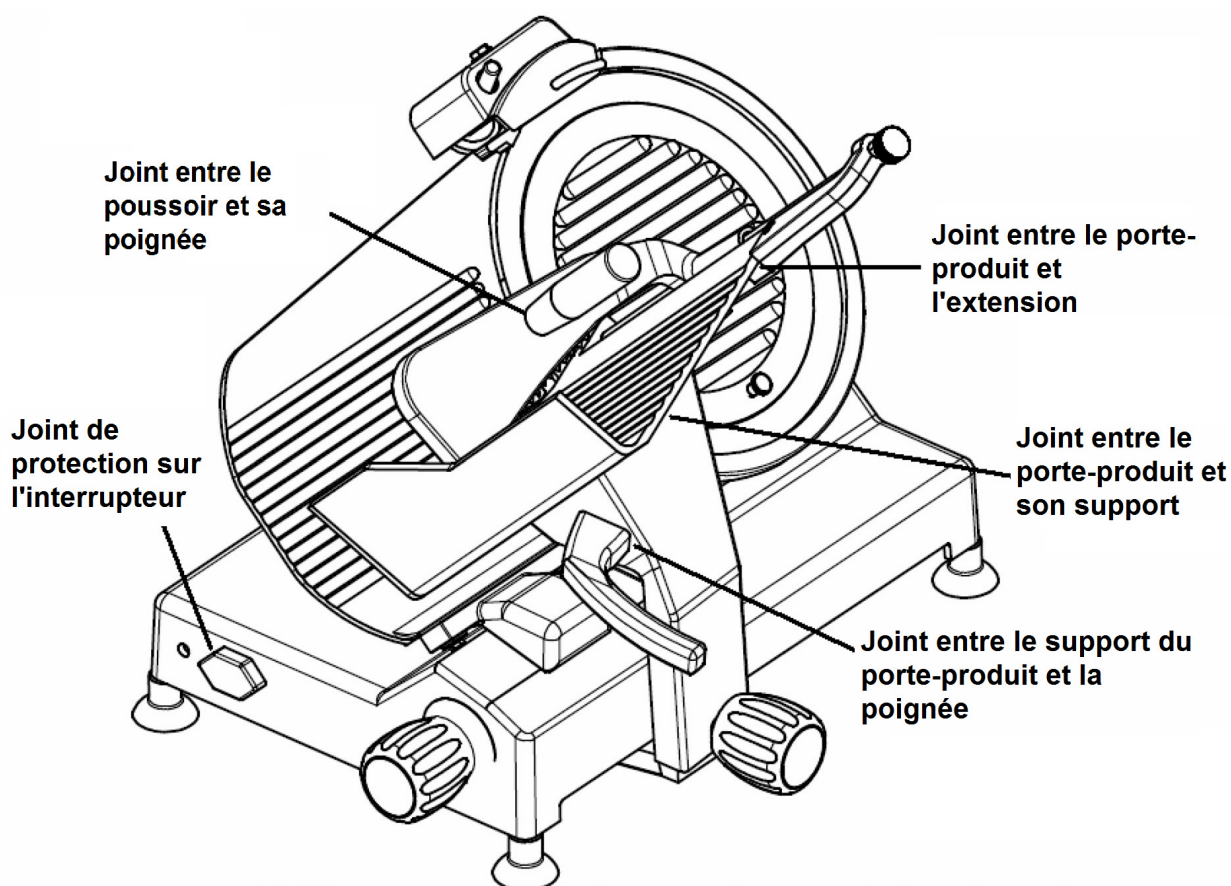
1. Coupez l'alimentation électrique.
2. Débranchez la trancheuse.
3. Tournez le bouton du réglage de l'épaisseur complètement vers la droite pour amener la plaque d'épaisseur en position totalement fermée.
4. Nettoyez complètement la lame. Nettoyez toujours du centre vers le rebord extérieur de la lame. Ne déplacez jamais votre main vers le tranchant de la lame.
5. Desserrez le bouton de verrouillage de l'affûteuse, élevez-la et faites-la pivoter jusqu'à ce que les pierres soient placées de chaque côté de la lame. Resserrez le bouton pour retenir l'affûteuse en position d'affûtage.
6. Branchez la trancheuse et mettez-la en marche.
7. Appuyez sur le bouton-poussoir de la pierre d'affûtage pour l'approcher contre la lame et tenez-le enfoncé pendant 5 à 10 secondes pour ensuite le relâcher. Quand l'affûteuse est en position de travail, le bouton-poussoir de la pierre d'affûtage se trouve du côté gauche de la lame.
8. Appuyez sur le bouton-poussoir de la pierre d'ébarbage pour amener la pierre sur la lame et tenez-le enfoncé pendant 2 à 3 secondes et ensuite relâchez-le. Quand l'affûteuse est en position d'ébarbage, le bouton-poussoir de la pierre d'affûtage se trouve du côté droit de la lame.
9. Coupez l'alimentation électrique.
10. Ramenez l'affûteuse à sa position de rangement et bloquez-la en position.
11. Avant de trancher un produit, nettoyez la trancheuse. (Voir "Consignes de nettoyage et de désinfection").

Votre trancheuse est maintenant affûtée, nettoyée et désinfectée — prête pour le service.

ENTRETIEN DE L'AFFÛTEUSE

1. Arrêtez la trancheuse, tournez le bouton de réglage complètement à droite et débranchez le cordon d'alimentation de la prise électrique.
2. Desserrez le bouton de verrouillage de l'affûteuse et soulevez-la pour la retirer.
3. Nettoyez le couvercle à l'eau savonneuse. Nettoyez soigneusement l'ensemble d'affûtage et les alentours des pierres. N'IMMERGEZ PAS le bloc d'affûtage. Lubrifiez l'axe et les blocs paliers avec de l'huile pour appareils alimentaires Berkel.
4. Vérifiez les pierres. Si elles ne tournent pas librement, sont graisseuses ou couvertes de métal accumulé, elles doivent être nettoyées. (Voir «Nettoyage des pierres d'affûtage»). Si les pierres sont craquelées ou ébréchées, elles doivent être remplacées.
5. Lubrifiez les arbres de l'affûteuse. Mettez quelques gouttes d'huile Berkel pour appareils alimentaires sur chacun des arbres. Poussez sur les boutons des pierres d'affûtage et d'ébarbage dans les deux sens pour vous assurer que les pierres se déplacent facilement. Faites aussi tourner les pierres pour vous assurer qu'elles tournent librement.
6. Lubrifiez le poteau de montage.
7. Remettez l'affûteuse à sa place. Elle doit être complètement abaissée pour protéger le dessus de la lame. Bloquez-la dans son logement.

Inspection des joints d'étanchéité



L'intervalle recommandé entre les inspections ne devrait pas dépasser six mois pour les éléments qui se détachent pour nettoyage et désinfection (tous les joints illustrés dans la photo).

Les inspections doivent être faites par le fabricant ou son agence de service d'entretien autorisée.

AVERTISSEMENT

Si quelque joint d'étanchéité que ce soit devient endommagé ou manquant, la trancheuse doit être retirée du service jusqu'à ce qu'elle soit réparée par le fabricant ou son agence de service d'entretien autorisée.

Pièces de rechange/Service de réparation/Vues éclatées

Pour toute réparation ou pour obtenir des pièces de rechange, vous êtes priés de contacter le service de l'entretien de Hobart ou un bureau de service technique désigné par Berkel (DBSL). Pour connaître le bureau du service de l'entretien de Hobart le plus près de chez-vous, veuillez visiter le site www.hobartservice.com et ensuite cliquez sur «Trouver un bureau (Locate an office)». Entrez ensuite votre CODE POSTAL ou sélectionnez un état pour trouver le bureau le plus proche. Ou encore, vous pouvez visiter le site www.berkelequipment.com et cliquer sur «l'Onglet du service». Entrez ensuite votre CODE POSTAL pour afficher les bureaux de service de Hobart ou un DBSL de Berkel les plus près de chez-vous. D'autres renseignements sur les produits, comme des catalogues de pièces et des notices d'utilisation et d'instructions sont également disponibles sur le site web www.berkelequipment.com. Cliquez sur l'onglet du «Centre de documentation (Resource Center)», et ensuite cliquez sur la catégorie de renseignements que vous souhaitez consulter ou télécharger. Assurez-vous d'entrer le numéro de modèle de votre produit. Vous pouvez obtenir d'autres renseignements de:

La Société Berkel

2006 Northwestern Parkway

Louisville, KY 40201

Téléphone: (800) 348-0251

Fax: (888) 888-2838

www.berkelequipment.com

Dépannage

Si votre trancheuse venait à ne pas fonctionner correctement, voici quelques points que vous pourriez vérifier avant de faire appel à un technicien de service Berkel.

L'appareil ne tranche pas correctement; les tranches sont soit épaisses, soit minces ou irrégulières

- La lame est-elle bien affûtée? Sinon, affûtez-la en suivant les instructions de ce manuel. Souvenez-vous d'affûter la lame seulement si elle est propre.
- La taille du produit dépasse-t-elle le gabarit de la trancheuse? Un produit trop volumineux peut toucher le bloc d'affûtage et perturber le tranchage normal.
- Le produit est-il placé correctement et fermement maintenu sur le porte-produit? S'il ne l'est pas, il peut bouger et pivoter pendant le tranchage ce qui produit des tranches partielles ou épaisses et minces.
- Tous les éléments sont-ils solidement maintenus en place? Un porte-produit desserré peut être cause de tranches irrégulières.

La lame ne s'affûte pas

- Les consignes d'affûtage sont-elles observées exactement telles que décrites dans ce manuel?
- Les pierres d'affûtage sont-elles propres? Si non, nettoyez-les en suivant les instructions de la section «Entretien de l'affûteuse».
- La lame est-elle propre? Si elle est couverte de gras, les pierres ne peuvent affûter. Nettoyez-la en suivant les instructions de ce manuel.
- Les pierres entrent-elles fermement en contact avec la lame? Si non, faites-les ajuster par un technicien de service Berkel.
- Les pierres d'affûtage sont-elles très usées et n'entrent pas en contact avec la lame? Sont-elles craquelées ou ébréchées? Si oui, faites appel à votre technicien Berkel pour installer de nouvelles pierres et les régler à la bonne position pour obtenir les meilleurs résultats d'affûtage.

Panne électrique

- La trancheuse est-elle bien branchée dans une prise électrique 115 volts correctement mise à la terre? Lorsque branchée correctement, le voyant blanc de démarrage devrait être allumé lorsque la trancheuse est mise en marche.
- Inspectez le cordon d'alimentation. Est-il endommagé au point de couper le passage de l'électricité? Si oui, faites appel au technicien Berkel pour remplacer le cordon d'alimentation.
- La prise électrique murale est-elle alimentée? Faites-en le contrôle en branchant un autre appareil aux mêmes exigences électriques. Vérifiez également le disjoncteur ou le fusible.
- Si l'alimentation électrique est correcte et que votre trancheuse ne fonctionne toujours pas, faites appel à votre technicien de service Berkel.

Le bouton de réglage ne fait pas fonctionner la plaque d'épaisseur

- Si le bouton de réglage ne fait pas ouvrir et fermer la plaque d'épaisseur correctement, c'est un signe que le dispositif interne s'est dérégulé. N'essayez pas d'ajuster le mécanisme vous-même. Faites appel à votre technicien de service Hobart ou Berkel.

Si la correction de l'un ou l'autre des problèmes énumérés ci-dessus n'a pas pour résultat de vous donner une trancheuse fonctionnelle, faites appel à votre bureau de service Hobart ou Berkel.



Pour en faire plus.

Garantie

En vigueur le 14 février 2002

La Société Berkel (Berkel) garantit à l'acheteur d'un appareil neuf que le dit appareil, s'il est installé selon nos instructions et utilisé normalement, est exempt de défauts de matériaux et de main d'œuvre pendant une période d'un (1) an à partir de la date de la vente.

BERKEL REJETTE SPÉCIFIQUEMENT TOUTE GARANTIE TACITE DE QUALITÉ MARCHANDE OU TOUTE GARANTIE EXPRESSE OU TACITE DE CONFORMITÉ POUR UN BESOIN PARTICULIER.

L'obligation et la responsabilité de Berkel en vertu de cette garantie se limitent expressément à la réparation ou au remplacement d'un équipement dont les matériaux ou la main d'œuvre auraient été prouvés défectueux à l'intérieur de la période de garantie. Berkel ou une agence de service désignée par Berkel effectueront toutes les réparations dans le cadre de cette garantie. Berkel nie expressément toute responsabilité quant aux dommages accessoires ou indirects subis par l'acheteur ou tout autre tiers, y compris sans s'y limiter, les dommages causés par les blessures personnelles, les pertes de profits, les pertes d'occasions d'affaires, les pertes matérielles, les pertes financières, les dommages statutaires ou exemplaires, que ce soit suite à une négligence, garantie, responsabilité sans faute ou autrement.

Cette garantie ne couvre pas l'entretien périodique de l'équipement y compris mais sans s'y limiter, la lubrification, le remplacement des lames usées, les couteaux, les boutons, les accessoires et divers articles consommables, et tout autre réglage rendu nécessaire suite à l'installation, la mise en place ou l'usure normale.

Ces garanties ne sont émises qu'à l'acheteur initial par l'entremise d'un réseau commercial autorisé par Berkel. Aucune garantie n'est accordée à un cessionnaire subséquent.

Les stipulations de garantie données aux présentes constituent une déclaration complète et exclusive de la garantie entre l'acheteur et le vendeur. Berkel n'assume pas la prise en charge par personne de toute autre obligation ou responsabilité à l'égard du dit équipement, ni n'autorise personne à ce faire. Cette garantie remplace toute garantie présente et antérieure faisant l'objet des présentes.