

# Kegeators

## FDD(BB)-24 Series

- FDD-24
- FDD-24S
- FBB-24
- FBB-24S
- FBB-24G
- FBB-24SG



Item # \_\_\_\_\_

### Standard Features

- Our single door units are designed with durability and strength to handle the abuse of a portable unit.
- Refrigeration system is a **free flowing air system** throughout the box to ensure "ICE COLD" products at all times.
- Heavy duty 18 gauge stainless steel top, durable stainless steel covered corner floor, brushed aluminum glass rail and reinforced bottom door frame to protect your long term investment.
- **LED interior light** underneath the mullion to protect itself from normal operations (FBB models only).
- NSF approved for bottle and pre-packed goods.
- FDD - 24(S) single keg units are rear breathing with internal drain.
- FBB - 24(S)(G) single door units are rear breathing with epoxy coated shelves.



FDD-24



FBB-24SG



\*Conforms to UL & NSF-7 standards

### Options & Accessories

- Additional shelves
- 220 volts/50 cycles/1 phase

Kegeators	Model	Door	Towers	Taps	Kegs	HP	Amps	Cabinet Dimensions			Shipping	
								W	D	H	(Wt. Cubes)	
	<b>FDD-24(S)</b>	1	1	1	1	1/6	2.5	24-7/8"	30"	39-3/8"	165	23
	Model	Door	Towers	12 oz Cans	Kegs	HP	Amps	Cabinet Dimensions			Shipping	
								W	D	H	(Wt. Cubes)	
	<b>FBB-24(S)(G)</b>	1	N/A	415	1	1/6	2.5	24-7/8"	30"	39-3/8"	187	23

\* (S) Stainless steel units / (G) Glass door units.

# Specifications Kegeators

### Construction

Heavy duty stainless steel top, 18 gauge. Black vinyl front, sides and back. (S) models have stainless steel front, sides and back. Interior constructed of heavy duty galvanized steel walls with coved corner NSF approved stainless steel floor.

Door is comprised of heavy duty black vinyl steel. (S) Models are stainless steel. (G) Models are a dual pane glass with black frame, (SG) models are a dual pane glass with aluminum frame. Provided with door locks, magnetic door gaskets, removable without tools. Door openings have a plastic breaker strips to retard condensate formation. Unit comes complete with a 1-1/2" Ecomate CFC-Free polyurethane insulation, foamed in

place.

### Refrigeration system

Self-contained capillary tube system using environmentally friendly (CFC Free) R-134a refrigerant. Rear breathing compressor. Evaporator coil is mounted to interior top of the unit. Large fan motor and fan blades for greater air flow.

Automatic condensate evaporator, no drain connection required. Evaporator condensate has been plumbed to a condensate pan located in the compressor housing. Access for the condensing unit behind the back grill, slides out for easy cleaning and maintenance.

Cabinets are designed to maintain temperatures between 33° F to 38° F in the

interior cabinet.

### Lights

Interior LED light underneath the mullion (FBB models only).

### Others

Unit is supplied standard with an 8' cord and plug (Nema 5-15p).

### Warranty

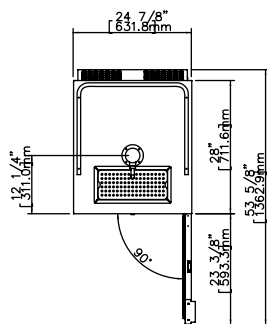
3 year parts and labor warranty plus 2 additional year compressor warranty. ( Continental U.S.A. & Canada only).

Top View

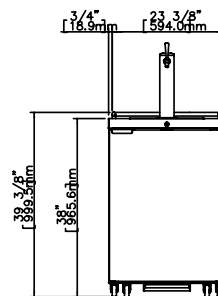
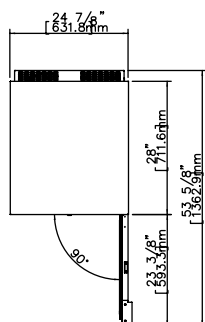
FDD-24(S)

Front View

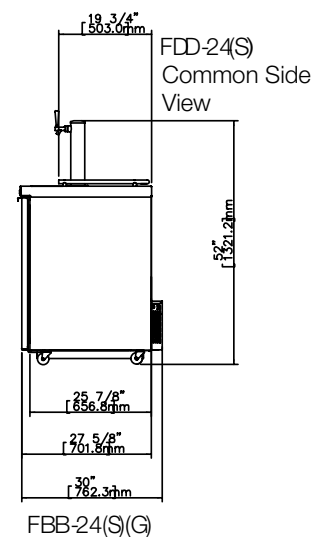
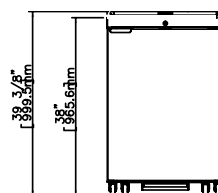
FDD-24(S)



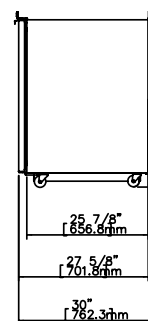
FBB-24(S)(G)



FBB-24(S)(G)



FBB-24(S)(G)



The manufacturer reserves the rights to modify materials and specifications without notice.

