

# **KHT-14B** Knight High-Temp Dishmachine with 14 KW Booster

Knight is proud to introduce the KHT-14B high temperature dishmachine with a built in booster that can increase the water temperature 100°F. Attractively designed and built with durable stainless steel, this machine is built to insure sparkling results and outstanding longevity. The KHT-14B would make a nice addition to your kitchen.



- Built in 14 KW booster can boost temperature 100 Fahrenheit
- 60 and 90 second cycle times
- Up to 53 racks per hour
- Upper and lower rotating wash and rinse
- Prewired electrical connection
- Prewired chemical signals
- Auto-fill and auto-start
- Chemical dispenser bracket included
- Three door configuration all the time
- Completely closed in
- Very quiet
- Safety door switch
- 1.2 horsepower motor
- Adjustable rinse standard
- All stainless steel construction
- 2 year limited warranty
- Open Impeller
- Scrap accumulator inside machine
- Electromechanical circuit
- Built in Pressure Reducing valve
- Built in pressure relief



**DISHMACHINES**

**KNIGHT®**

**IDEX**  
FLUID & METERING

## KHT-14B Dishmachine Overview

Knight High Temperature Dishmachine with 14K booster (KHT-14B) is a rack loading fully automatic dish washing machine with three adjacent sides that can be lifted to open for loading or unloading racks. When the wash tank is filled up to the required water level, as the door is closed, the machine will automatically run wash and rinse cycles. At the end of each cycle, a buzzer will sound to indicate the cycle is over. As the door is closed again, the KHT-14B starts to run another cycle.

The KHT-14B is meticulously engineered to provide you with a durable and easy to use ware washer. When developing the dishmachine, attention to details was a standard to ensure optimal and reliable performance. All of this is designed into a completely enclosed, stainless steel package that will enhance any kitchen.

## Features and Benefits



### Electronic Control Panel

The easy to read controls with temperature gauges tell you where the machine is in the cycle and what cycle time is activated. The centrally located controls allows for easy access and simple control setting.



### Wash Arms

The spray arm system features lower and upper rotating stainless steel wash arms designed to optimally clean all dishware surfaces. Stainless steel tubing connects upper and lower spray systems.



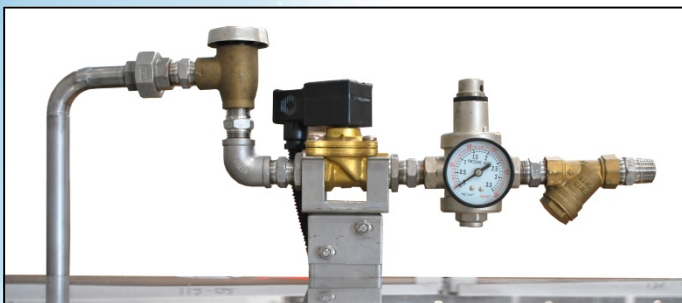
### Rinse arms

Stainless steel upper and lower rinse arms spray a "V" jet rinse pattern that can be set to 12 or 9 seconds with the flip of a switch.



### Scrap Accumulator

The wash trays are angled towards the accumulator so clean up is removal of one basket after a shift when convenient for the operator



### Fresh Water Inlet

The electrical solenoid is protected with a pressure reducing valve, Gauge and line strainer to insure proper pressure and continuous operation



### High Efficiency Motor

The 1.2 horsepower motor draws water from the side rather than the bottom of the KHT-4B to protect the pump from recycling food soil and plugging the pump

## Electronic Control Panel



## Specifications

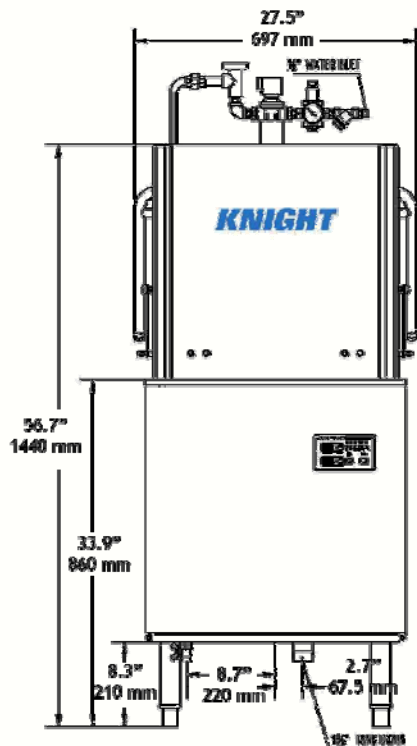
WATER SPECIFICATIONS	
Wash Tank Capacity	9 gallons (34 L)
Booster Tank Capacity	2 gallons (8 L)
Water Temperature, Wash	160 F (70 C)
Water Temperature, Rinse	180 -185° F (82 - 85° C)
Gallons per rack	.75 gallons
Flow Pressure	15–25 PSI (1–1.7 bar)
Water Inlet Temperature	100 -120 °F (38 -48° C)
Water Inlet	3/4" I.P.S.
Tank Drain	1.5" I.P.S.
Booster Drain	1/2" I.P.S.
DIMENSIONS	
Height (Door Closed)	57" (1440 mm)
Height (Door Raised)	75" (1895 mm)
Width	27.5" (697 mm)
Depth	26.9" (683 mm)
Shipping Weight	325 lbs. (148 kg)
Table Height	34" (860 mm)
Max. Clearance for Dishes	15.75" (400 mm)
Standard Dish Rack	20" x 20" (508mm x 508mm)
POWER	
Electrical Rating	208V /60 /3
Load Amps	53 amps
Wash Pump Motor	1.2 HP
Motor	.9 KW, 3.1 amps
Booster Heater	14 KW , 39 amps
Wash Tank Heater	5 KW, 8.4 amps



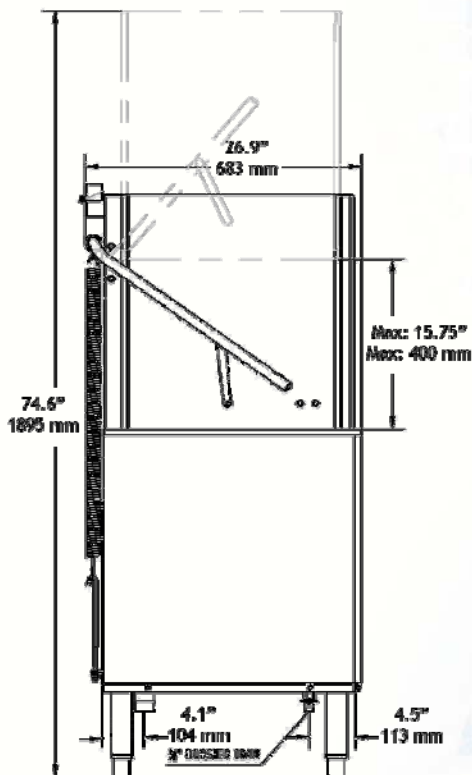
Operating Cycle	60 Sec.	90 Sec.
Operating Capacity (Racks per Hour)	53	37
Wash Time	45 sec	75 sec
Rinse Time	12/9 sec	12/9 sec
Dwell Time	3 sec	3 sec

The KHT-14B is especially designed for busy kitchens. The 60 second wash cycle allows this machine to clean wares in food service operations of up to 250 seats quickly and economically. The multiple-cycle timer allows for the flexibility to deal with heavy, medium, or normal soil conditions.

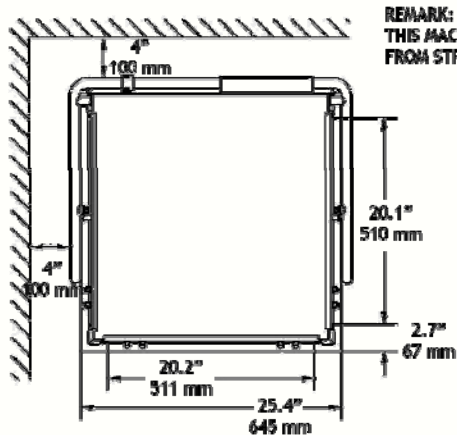
## Dimensions



Front View



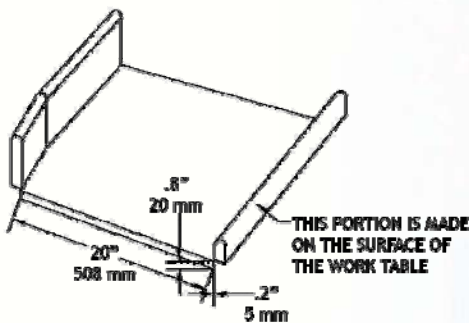
Side View



Top View

REMARK:  
THIS MACHINE CAN BE CONVERTED  
FROM STRAIGHT TO CORNER TYPE AS SHOWN

### CONNECTION OF MACHINE AND WORK TABLE



## ORDERING INFORMATION

### KHT-14B

Model	Part Number	Description
KHT-14B	9208603	KHT-14B High Temperature Dishmachine, 208/60/3

#### KNIGHT LIMITED WARRANTY

Knight controls and pump systems are warranted against defects in material and workmanship for a period of ONE YEAR. All Electronic Control Boards have a TWO YEAR warranty. Warranty applies only to the replacement or repair of such parts when returned to the factory with a KRA number, freight prepaid and found to be defective upon factory inspection. Rubber and synthetic rubber parts such as "O" rings, diaphragms, squeeze tubing and gaskets are considered expendable and are not covered under warranty. Warranty does not cover liability resulting from performance of this equipment nor the labor to replace this equipment. Product abuse or misuse voids warranty. Knight products are not for use in potentially explosive environments. Any use of our equipment in such an environment is at the risk of the user. Knight does not accept any liability in such circumstances.

#### KNIGHT DISCLAIMER

The information and specifications included in this publication were in effect at the time of approval for printing. Knight, LLC, reserves the right, however, to discontinue or change specifications or design at any time without notice and without incurring any obligation whatsoever.



**KNIGHT U.S.**  
Toll Free (800) 854-3764  
Tel (949) 595-4800  
Fax (949) 595-4801

**KNIGHT Canada**  
Tel (905)542-2333  
Fax (905)542-1536

**KNIGHT Europe**  
Tel +44(1323)514855  
Fax +44(1323)514828

**KNIGHT Australia**  
Tel +61(02)9352.1801  
Fax +61(02)9352.1899

**KNIGHT N. Asia**  
Tel +82(2)3481.6683  
Fax +82(2)3482.5742

**KNIGHT S. Asia**  
Tel +65.9170.0984  
Fax +65.6489.6723