

AMERICAN RANGE

QUALITY COMMERCIAL COOKING EQUIPMENT

BRICK LINED DECK PIZZA OVENS

GAS TYPE: NATURAL LP

ARSD-606-BL / ARSD-6062-BL

STANDARD FEATURES

- Heavy Duty iron frame construction.
- All Stainless steel front & sides.
- Brick lined interior.
- Counterweight door with concealed hinges.
- Heavy duty double bolted extruded aluminum door handle.
- Burner access panel provides easy access for initial ignition.
- 60" x 36" x 8.6" oven interior.
- Aluminized steel oven and combustion chamber.
- Four Heavy duty cast iron burners, rated @ 25,000 BTU/Ea.
- Removable fixed orifices on main and pilot burners.
- Main gas, thermostat and safety pilot valve fully within body in a covered yet ventilated and accessible panel.
- Air mixers with adjustable air shutters and locking device.
- Throttling thermostat with temperature control range between 300°F (150°C) and 650°(340°C).
- STONEBAKE plus with Quick Heat Technology, with 2" thick cooking surface.



Model ARSD-6062-BL



The Heavy Duty STONEBAKE pizza oven by American Range was designed for continuous rugged use and performance. All the latest technology is incorporated to give you the best value for your money from its counterweight door with concealed hinges to its powerful 100,000 BTU/hr. open burners and 2" thick cooking surface.

Throttling thermostat with temperature control range between 300°F (150°C) and 650°(340°C), along with the quality, dependability and customer satisfaction that comes with every unit we sell making American Range the ultimate choice for today's chefs.

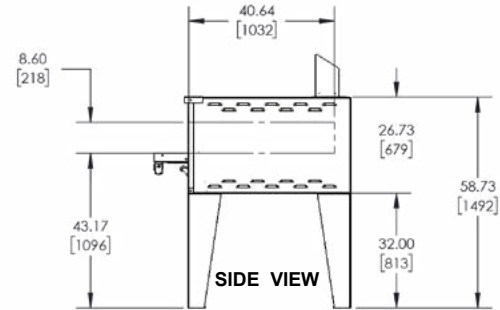
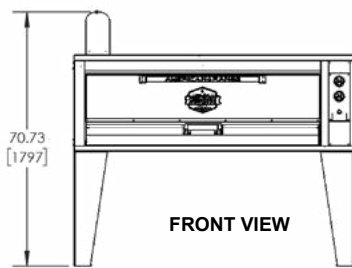
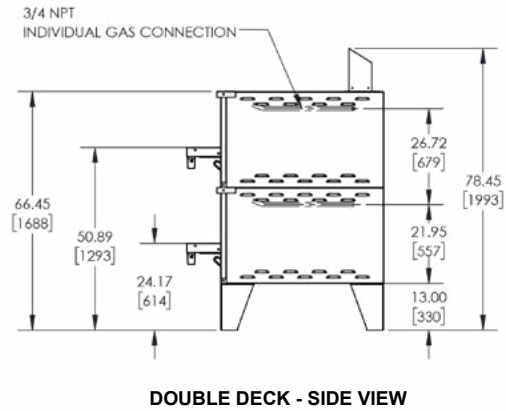
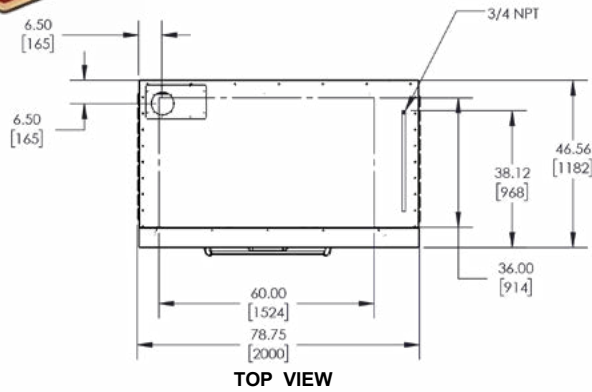
DESIGNED & BUILT IN USA
PROFESSIONAL COOKING EQUIPMENT

www.americanrange.com





BRICK LINED DECK PIZZA OVENS



BRICK LINED DECK PIZZA OVENS

| Model | W | D | H | # Burners | Gas Output | BTU (Kw) | Ship Weight | Lbs | (Kg) |
|--------------|------------|------------|------------|-----------|------------|-----------|-------------|------|--------|
| ARSD-606-BL | 78" (1635) | 48" (1210) | 64" (1626) | 4 | | 100K (30) | | 1500 | (680) |
| ARSD-6062-BL | 78" (1635) | 48" (1210) | 72" (1829) | 8 | | 200K (59) | | 3000 | (1360) |

OPTIONAL FEATURES

- Flexible gas hose with quick disconnect and restraining device.
- Caster wheels.
- Stainless steel crown angle trim.
- Flue connector.
- Vent kit.
- 12 gauge (3.02 mm) formed, reinforced and flanged aluminized steel deck.

GAS SUPPLY:

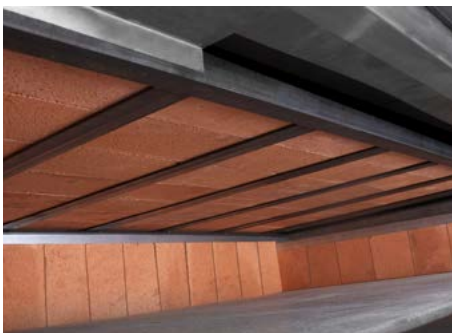
- 3/4" IPS connection at rear of oven.
- Manifold Pressure: - Natural: 5.0" W.C. min. - Propane: 10.0 W.C. min.

INLET PRESSURE

- Natural: 7.0" W.C. min., 14.0" W.C. max.
- Propane: 11.0" W.C. min., 14.0" W.C. max.
- Specify type of gas and altitude if over 2000 feet.

CLEARANCES

- For use only on non-combustion floors. legs or casters are required. Clearance from non-combustible walls is 0". When unit is placed next to combustible walls, clearances must exceed 6" (152mm) on sides, and 6" (152mm) from rear.



Model ARSD-606-BL

DESIGNED & BUILT IN USA
PROFESSIONAL COOKING EQUIPMENT

AMERICAN RANGE
QUALITY LINE OF COOKING EQUIPMENT

13592 Desmond St. Pacoima CA 91331
T. 818.897.0808 F. 818.897.1670
Toll Free: 888.753.9898
www.americanrange.com