

Specification/Data sheet

Stand II Combi-Duo model XS 6 2/3



Article number: 60.31.046

Description

The stand II ensures a safe elevated installation of the Combi-Duo, consisting of iCombi Pro XS, CombiMaster Plus XS 6-2/3 and SelfCookingCenter XS. The cooking system can be fixed on the base frame using a mounting kit.

Features

- 4 pairs of support rails with one storage compartment
- Two-sided opening with side panels and top panel
- Height-adjustable feet
- Mounting kit for fixing the cooking system on the base frame

Technical Specifications

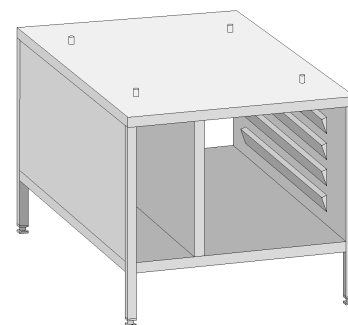
- WxLxH: 639 x 563 x 556 mm (25 1/8 x 22 1/8 x 21 7/8 inch)
- Width of racks: 329 mm
- Clearance from floor panel to floor: 150 mm
- max. fixed power: 690 kg
- Weight: 23 kg

Capacity

- 1/1 GN grid x 4
- 1/1 GN 20 mm deep x 4
- 1/1 GN 40 mm deep x 4
- 1/1 GN 65 mm deep x 4
- 1/1 GN 100 mm deep x 2
- Use of other containers: 1/4 GN, 1/3 GN, 1/2 GN, 2/3 GN

Material

- Rust-free stainless steel (CNS 1.4301)



Specification/Data sheet
Stand II Combi-Duo model XS 6 2/3



Vorderansicht
front view

Seitenansicht
side view

Draufsicht
top view

**Zeichnungsausdruck unterliegt nicht dem Änderungsdienst !
 Printed drawing is not automatically updated ! La mise à jour n'est pas assurée sur les plans papier !**

Titelblock Title	Maßstab Scale	Teilzeichnung / part name / Designation Pcs	UG2 Standard CombiDuo	Ersterwähnung document number	623
revision/modification	Date	description	UG2 Standard CombiDuo	Unterwiesung Sous enseignant	Projekt / project / Project
			1:10	Werkzeugnummer tool number	WALL
				Volume Volume	84.01.025
				Spezifikationsnummer specifications number	22.272
				Artikelnr. article number	60.31.046
				Abmessung dimensions	639x563x570
				Normen standards	DIN A3
				Abmessung dimensions	1
				Abmessung dimensions	0

Technische Änderungen vorbehalten
 technical variation reserved