

### BSCD

Curved Glass, Self Contained

REFRIGERATED  
DELI/MEAT/CHEESE/SALAD  
CASE



BSCD8

### Standard Features

- Curved front glass
- Granite work counter
- Interior LED lighting
- Additional refrigerated under-shelf storage cabinet
- ABS sides - (off-white)
- Painted white front and base
- Front bumper - different colours available
- Digital temperature display
- Gravity cooling system
- Automatic defrost cycle system
- Automatic condensation disposal
- Front glass defogging system
- Flat inserts

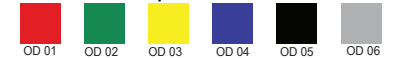
### Options

- Remote compressor
- Corner units available
- All stainless steel base and front
- Possibility of multiplexing merchandiser
- Self-served units upon request
- Variety of finished colours
- Steps insert

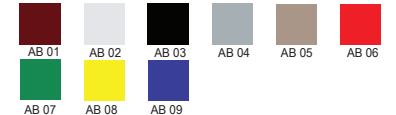
#### Metal element colours



#### Plastic bumper colours



#### Plastic side colours



#### Granite colours



#### Aluminum profile colours



### Dimensions

Model	Dimension W x D x H	Weight (lbs / kg)
BSCD3	41" x 46" x 48 1/2"	309 / 140
BSCD4	54" x 46" x 48 1/2"	353 / 160
BSCD5	65 3/4" x 46" x 48 1/2"	419 / 190
BSCD6	78 3/4" x 46" x 48 1/2"	474 / 215
BSCD8	100" x 46" x 48 1/2"	639 / 290
BSCD10	128 1/2" x 46" x 48 1/2"	838 / 380
BSCD12	150 3/4" x 46" x 48 1/2"	

*\* Customizable options available  
\* Multiple sizes available*

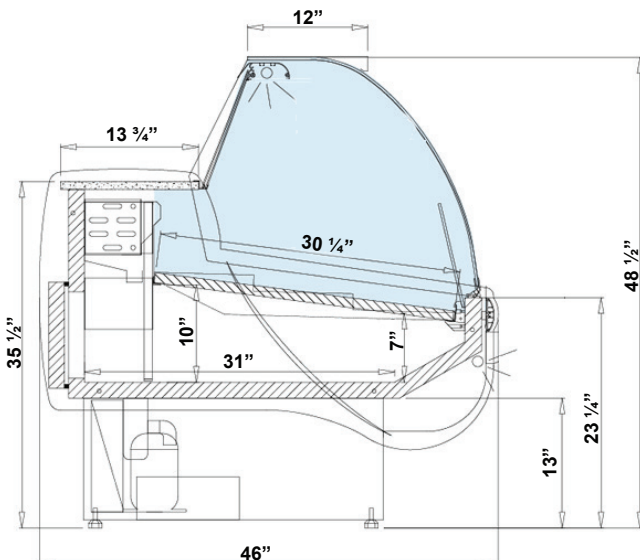
### Voltage

- BSCD3,4 : 115V | 1ph | 60 Hz | 6A, max. fuse: 15A
- BSCD5~8 : 115V | 1ph | 60 Hz | 8A, max. fuse: 15A

\* Specifications are subject to change without notice.

\*\*All measurements are approximates.

### Technical Drawing



\*\*\*All equipment are designed to a operate in controlled environment below 75°F (+24°C) temperature and HR 55% relative humidity.