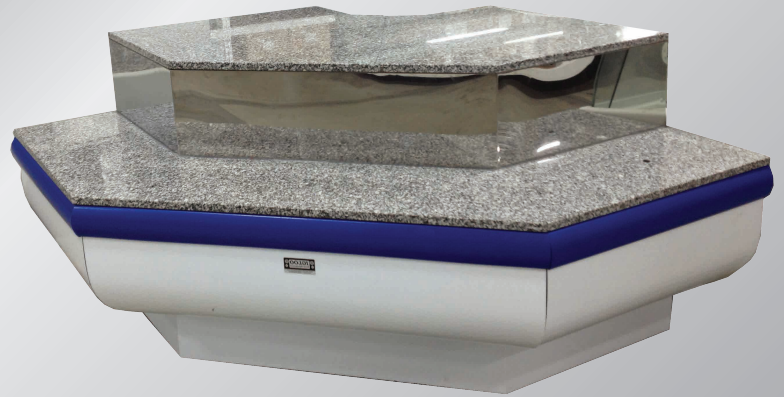


COCB90-OUT

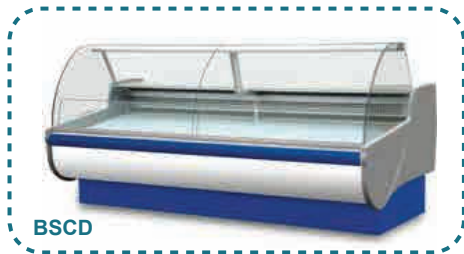
**CASH COUNTER
OUTSIDE CORNER UNIT
MATCHING WITH BSCD MODEL**



COCB90-OUT

Standard Features

- Grey granite worktop (thickness 3/4")
- Matching front with BSCD model refrigerated display cases
- External housing made of white coated steel
- Device leveling legs



Options

- Other colors available
- Custom made upon customers request

Metal elements colors

RAL 9005	RAL 8014	RAL 7031	RAL 5005	RAL 6029	RAL 3020
RAL 1018	RAL 7001	RAL 9006	IG 01	RAL 9003	

Plastic bumpers colors

OD 01	OD 02	OD 03	OD 04	OD 05	OD 06
-------	-------	-------	-------	-------	-------

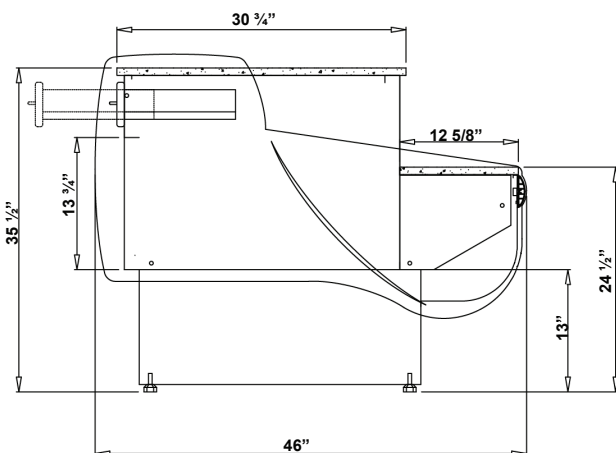
Granite colors

GR 01	GR 02	GR 03
-------	-------	-------

Aluminum profiles colors

AL 01	AL 02
-------	-------

Technical



Dimensions

Model	Dimension W x D x H	Weight (lbs / kg)
COCB90-OUT		

Voltage

- N/A

* Specifications are subject to change without notice.

**All measurements are approximates.

***All equipment designed to operate in controlled environment below 75°F (+24°C) temperature and HR 55% relative humidity.