

COCBE

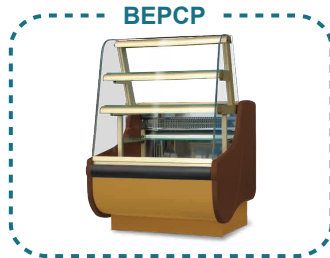
CASH COUNTER MATCHING WITH BEPCP MODEL



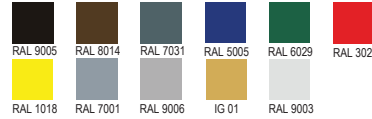
COCBE31

Standard Features

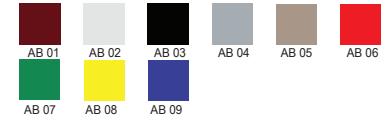
- Grey granite worktop (thickness 3/4")
- Matching front with BEPCP model refrigerated display cases
- Wooden external housing - different colors available
- Device leveling legs
- Movable drawer
- Socket



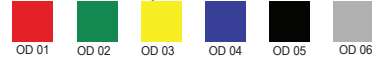
Metal elements colors



Plastic sides colors



Plastic bumpers colors



Granite colors



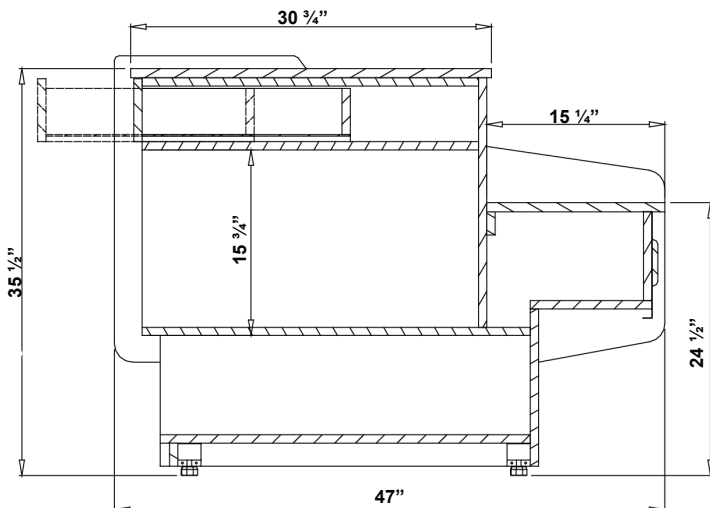
Aluminum profiles colors



Options

- Other colors available
- Custom made upon customers request

Technical Drawing



Dimensions

Model	Dimension W x D x H	Weight (lbs / kg)
COCBE19	19" x 47" x 35 1/2"	83.8 / 38
COCBE23	23" x 47" x 35 1/2"	105.8 / 48
COCBE27	27" x 47" x 35 1/2"	125.7 / 57
COCBE31	31" x 47" x 35 1/2"	145.5 / 66
COCBE35	35" x 47" x 35 1/2"	167.5 / 76
COCBE38	38 3/4" x 47" x 35 1/2"	187.4 / 85
COCBE42	42 3/4" x 47" x 35 1/2"	209.4 / 95
COCBE46	46 3/4" x 47" x 35 1/2"	229.3 / 104
COCBE50	50 1/2" x 47" x 35 1/2"	251.3 / 114
COCBE54	54 1/2" x 47" x 35 1/2"	273.4 / 124
COCBE58	58 1/2" x 47" x 35 1/2"	293.2 / 133
COCBE62	62 1/2" x 47" x 35 1/2"	315.3 / 143

Voltage

- N/A

* Specifications are subject to change without notice.

**All measurements are approximates.

***All equipment designed to operate in controlled environment below 75°F (+24°C) temperature and HR 55% relative humidity.