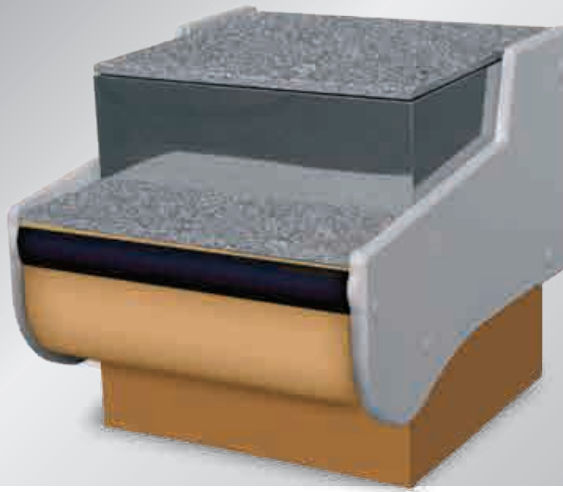


COCM

SLIM LINE CASH COUNTER MATCHING W/ MSCD & MLMD MODEL

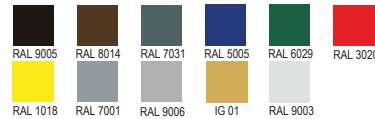


COCM31

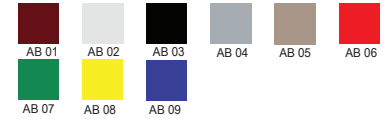
Standard Features

- Grey granite worktop (thickness 3/4")
- Matching front with MSCD and MLMD model refrigerated display cases
- External housing made of white coated steel
- Bumper - different colors available
- Device leveling legs
- Movable drawer
- Socket

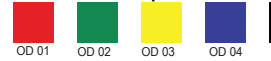
Metal elements colors



Plastic sides colors



Plastic bumpers colors



Granite colors



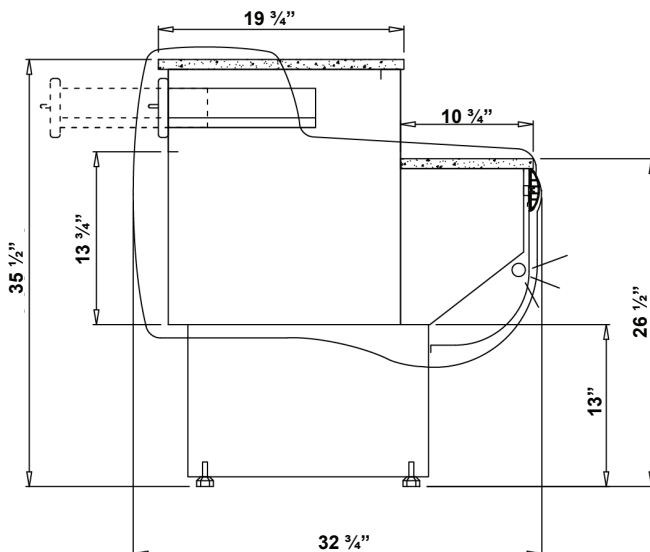
Aluminum profiles colors



Options

- Other colors available
- Custom made upon customers request

Technical Drawing



Dimensions

Model	Dimension W x D x H	Weight (lbs / kg)
COCM19	19" x 32 3/4" x 35 1/2"	97 / 44
COCM23	23" x 32 3/4" x 35 1/2"	110.2 / 50
COCM27	27" x 32 3/4" x 35 1/2"	123.5 / 56
COCM31	31" x 32 3/4" x 35 1/2"	136.7 / 62
COCM35	35" x 32 3/4" x 35 1/2"	149.9 / 68
COCM38	38 3/4" x 32 3/4" x 35 1/2"	163.1 / 74
COCM42	42 3/4" x 32 3/4" x 35 1/2"	176.4 / 80
COCM46	46 3/4" x 32 3/4" x 35 1/2"	189.6 / 86
COCM50	50 1/2" x 32 3/4" x 35 1/2"	202.8 / 92
COCM54	54 1/2" x 32 3/4" x 35 1/2"	216 / 98
COCM58	58 1/2" x 32 3/4" x 35 1/2"	229.3 / 104
COCM62	62 1/2" x 32 3/4" x 35 1/2"	242.5 / 110

Voltage

• N/A

* Specifications are subject to change without notice.

**All measurements are approximates.

***All equipment designed to operate in controlled environment below 75°F (+24°C) temperature and HR 55% relative humidity.