

SUMD

Straight Glass, Self Contained

**REFRIGERATED
DELI/MEAT/CHEESE/SALAD
CASE**

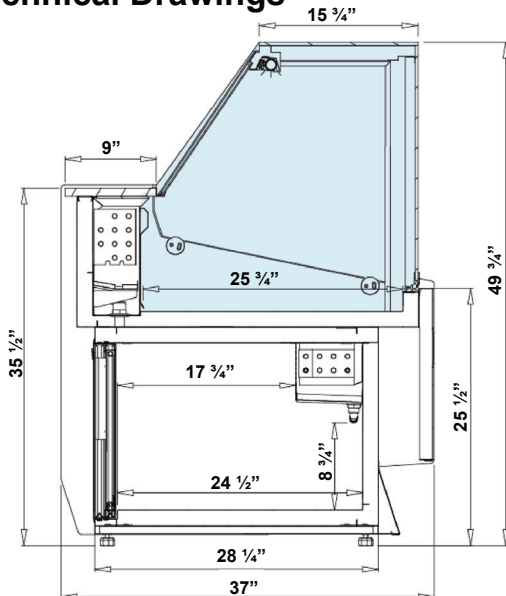


SUMD5

Standard features

- Glass top with straight front glass
- Granite worktop
- Lamp with LED light
- Additional refrigerated under-shelf storage cabinet
- Insulated ABS side panels
- Display area (stainless steel)
- Digital temperature display
- Gravity cooling system
- Automatic defrost cycle
- Automatic condensation disposal
- Front glass warm air blast
- Night blinds made of plexi glass
- Device leveling legs
- Automatic defrost system
- Flat insert

Technical Drawings

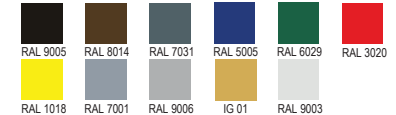


***All equipment are designed to operate in a controlled environment below 75°F (+24°C) temperature and HR 55% relative humidity.

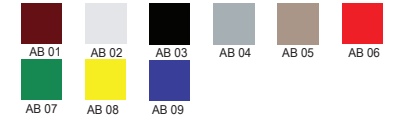
Options

- Remote compressor
- All stainless steel base and front
- Possibility of multiplexing merchandiser
- Self-served units upon request (Model: SUMLD)
- Variety of finished colours
- Steps insert

Metal element colours



Plastic side colours



Granite colours



Aluminum profile colours



Dimensions

Model	Dimension W x D x H	Weight (lbs / kg)
SUMD3	41 3/4" x 37" x 49 3/4"	353 / 160
SUMD5	59" x 37" x 49 3/4"	454 / 206
SUMD6	80 1/2" x 37" x 49 3/4"	569 / 258
SUMD8	99 1/4" x 37" x 49 3/4"	706 / 320

* Customizable options available

* Multiple sizes available

Voltage

- SUMD3,5,6 : 115V | 1ph | 60 Hz | 8A, max. fuse: 15A
- SUMD8 : 115V | 1ph | 60 Hz | 10A, max. fuse: 15A

* Specifications are subject to change without notice.

**All measurements are approximates.