

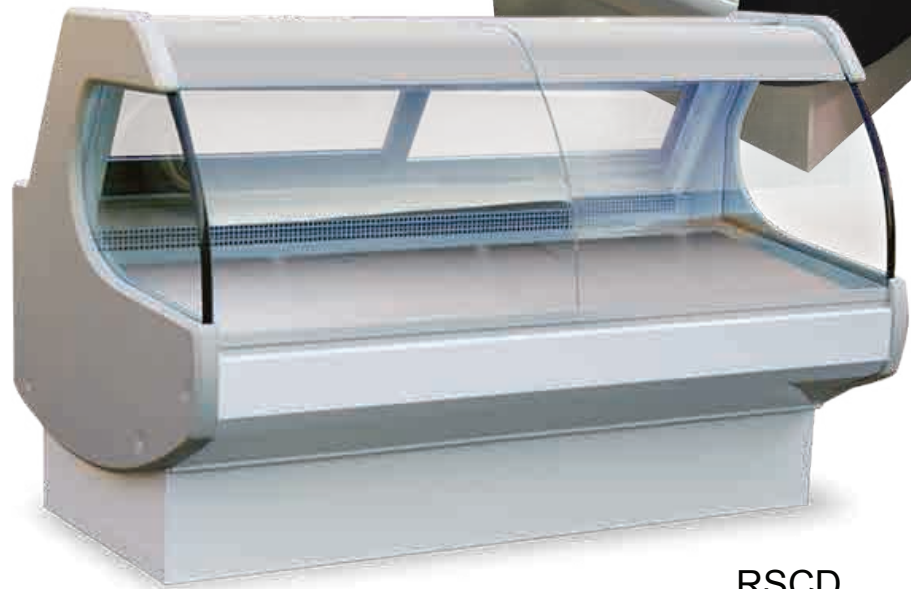
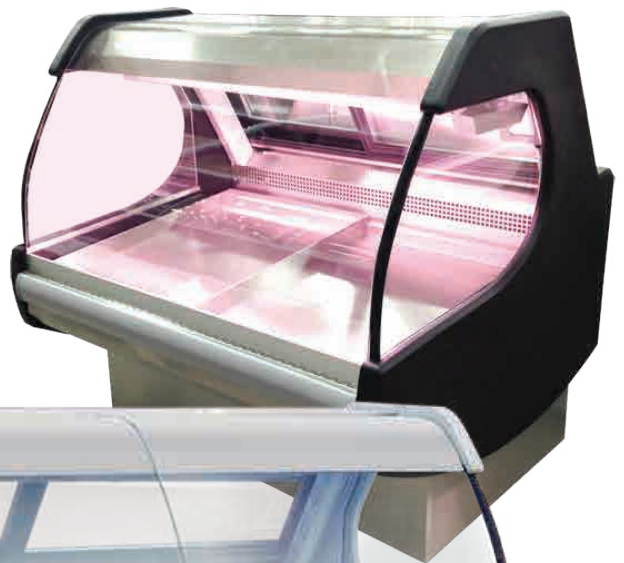


Instruction Manual

Meat/Deli/Fish Cases

Models: RSCD, RSCFID

RSCFID



RSCD

124 Norfinch Dr. Toronto, ON. M3N 1X1
Tel : 416-663-3051 Fax : 416-663-5793
Toll Free : 1-888-408-8819

 **IGLOO**
REFRIGERATION LTD.

Contents

1 UNLOADING	3
2 PROPERTIES OF THE UNIT.....	3
2.1. Purpose	3
2.2. Description of the unit.....	3
2.3. Technical data.....	4
3. PREPARING THE DEVICE FOR START UP	5
3.1. Installation requirements	5
3.2. Unit Location	5
3.3. Connection and start-up.....	5
4. UNIT START UP	7
4.1. Temperature regulation	8
5. MAINTENANCE	10
5.1 Cleaning and maintenance	12
6. SERVICE.....	14
6.1. Fault identification and repair	14
6.2 Service.....	15

List of Figures

Figure 1 RSCD /RSCFID.....	4
Figure 2 Leveling legs.....	6
Figure 3 Caster wheels.....	6
Figure 4 Overflow.....	7
Figure 5 Condensate container.....	7
Figure 6 Control panel	7
Figure 7 “Carel” thermostat control panel	9
Figure 8 Disassembly of the front glass.....	13
Figure 9 Cleaning the condenser	13

List of Tables

Table 1 Technical data	4
Table 2 Table of alarms and signals.....	10
Table 3 Table of easy compact parameters.....	11

1 UNLOADING

The unit should be transported in vertical position, and it should be properly secured and packed.

2 PROPERTIES OF THE UNIT

2.1. Purpose

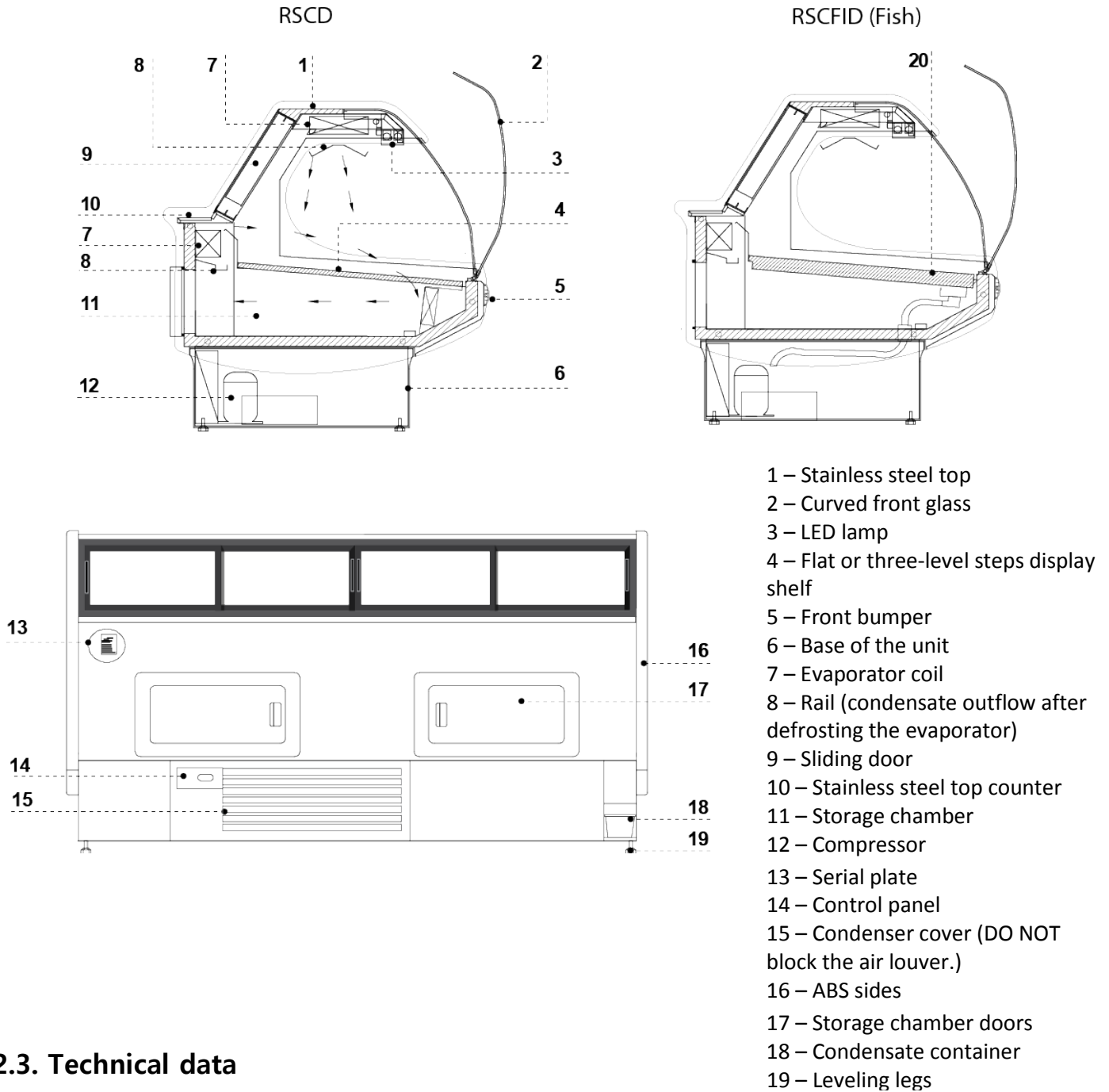
“RSC” is a universal cooling device that is used for displaying a wide assortment of grocery products in singular packages, cooled to storage temperature. Apart from general display cases, we also offer display cases for displaying fresh fish (“RSCFID” type). Our display cases ensure universal and efficient display area for all types of commercial outlet. Temperature inside the display cabinet equals +1°C/+4°C with ambient temperature of +15°C/+25°C and relative air humidity of up to 55%, depending on the environment and the location of the unit.

2.2. Description of the unit

“RSCD” display cases have static cooling. These display cases are equipped with automatic defrosting and automatic condensate evaporation. The units are adjusted and can be connected in sequence in the version with self-contained and remote compressors. “RSCD” display cases are equipped with a storage chamber. “RSCD” display cases are available in stationary or moving versions. Our equipment is manufactured according to modern technologies and all have certificates required by law.

The description in this box signifies important information for user security and for proper operation of the device.

Figure 1 RSCD /RSCFID



2.3. Technical data

Table 1 Technical data

Model	Voltage [V/Hz/Ph]	Rated Current [A]	Max shelf load [lbs/kg]	Weight [lbs/kg]
RSCD4 /RSCFID4	115/60/1	8 (max.fuse:15)	110/50	401/180
RSCD6 /RSCFID6	115/60/1	8 (max.fuse:15)	110/50	529/240
RSCD8 / RSCFID8	115/60/1	15 (max.fuse:20)	110/50	794/360

3. PREPARING THE DEVICE FOR START UP

The unit must be properly installed and located in accordance with the installation instructions before it is used.

3.1. Installation requirements

- Always use a dedicated circuit with the amperage stated on the unit.
- Plug into an outlet designed for the plug.
- Do not overload the circuit
- Do not use extension cords
- Never use adapters
- Never plug in more than one unit per electric circuit
- If in doubt, call an electrician.

IGLOO will not warranty any equipment that is connected to an extension cord or adapter plug.

The equipment may be turned on after confirmation of the fire protection efficiency with results of measures performed according to binding regulations!

■ NEMA Plugs

IGLOO refrigeration uses these types of plugs. If you do not have the right outlet have a certified electrician install the correct power source



115/60/1
NEMA-5-15R
**For models: RSCD4/RSCFD4
& RSCD6/RSCFD6**



115/60/1
NEMA-5-20R
For models: RSCD8/RSCFD8

3.2. Unit Location

- Remove cardboard angles.
- Install the unit on a strong and leveled surface.
- To ensure proper operation, the unit must be leveled from front to back and left to right with the leveling legs.
- Unit may malfunction if improperly leveled.
- Be sure there is sufficient ventilation around the entire unit
- Select a location away from heat and moisture generating equipment.
- Avoid installation in a high ambient or humid location.
- High ambient temperatures will cause the compressor to overwork.
- Humidity may cause rust, condensation around the glass or stainless and decrease the efficiency of the unit.

3.3. Connection and start-up

- Unpack the unit
- Remove the protection foil from the elements of the unit (f. ex. from the inside of the unit, display shelves, front bumper).
- Unit should be placed on an even and on a sufficiently hard base and then level it with the help of levelling legs.

In case of casters it is necessary to use wheel brake in order to immobilize the unit during operation Figure 2

Figure 2 Leveling legs

A –Screw the leg in nuts

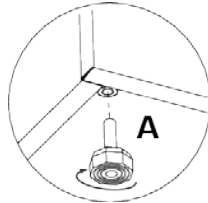
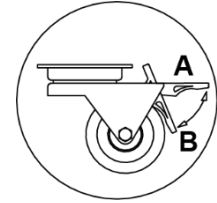


Figure 3 Caster wheels

A –Moving position

B –Brake



- If the user shall obtain a device partially disassembled to secure it during transportation, perform the following operations:
 1. Place display shelves or fish tanks on aluminum angle sections
 2. Mount front glasses of the display cases
 3. Place the condensate container on the basis of the equipment according to Figure 5
- The first cleaning of the equipment should be provided right after unpacking, and before turning it on. The unit should be cleaned with water at a temperature not exceeding 40°C with a neutral detergent. For washing and cleaning the equipment it is prohibited to use products containing chlorine and sodium varieties, which destroy the protective layer and components of the equipment! Any residue of adhesives or silicone on metal elements should be removed only with extraction naphtha (not applicable to items made of plastic!). Do not use other organic solvents

When cleaning the unit, do not use water jet. The unit should be cleaned with a moist cloth.

After installation of the equipment at the destination place it should be left to rest for at least 2 hours before turning it on (for devices with built in compressor) to set the level of refrigerant in order to prevent problems with starting up the unit.
WARNING: Keep out the cooling circuit from damage!

- Turn on the main switch (Figure 6/1)
- The temperature on the thermostat control panel is PRE SET. (Figure 6/3)
- Turn on the lighting switch (Figure 6/2)

Figure 4 Overflow

- 1 – Water outlet from the body of the unit (water-sealed)
- 2 – Rail water outlet hose (condensate outflow after defrosting the evaporator)
- 3 – Evaporator pan

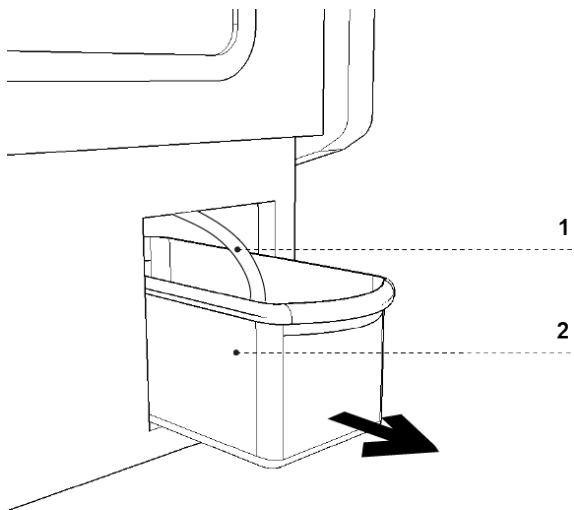
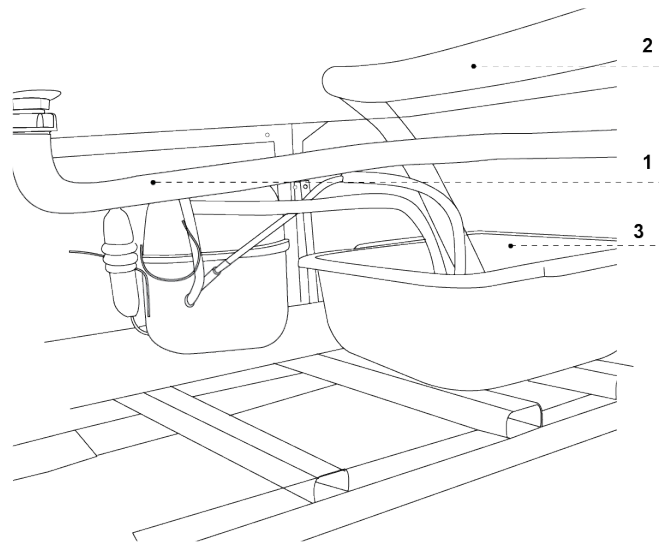


Figure 5 Condensate container

- 1 – Rail water outlet hose (condensate outflow after defrosting the evaporator)
- 2 – Condensate container (empty the condensate)

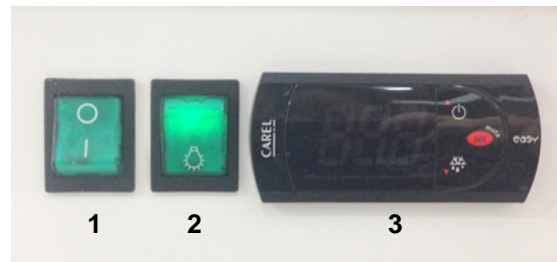


Figure 6 Control panel

- 1 – Main switch (turns on/off the unit)
- 2 – Lighting switch
- 3 – Thermostat (temperature regulator) panel (Service details in Chapter No. 4)

4. UNIT START UP

Temperature of the cooled space and aggregate operating cycle may fluctuate. They depend on numerous factors, such as amount and temperature of products placed in the device and temperature of the surroundings. The equipment should be placed in a dry and well-ventilated place, ensuring proper air exchange (distance between the wall and the equipment– min. 10cm), out of sunlight, kept far from heat sources and devices enforcing air flow (ceiling and portable ventilators, blow-in heaters). The equipment functions properly in a room, where temperature falls within appropriate climatic class. The operation of the equipment may worsen when operates outside the stated temperature range.

Remarks and indications

- *It is necessary to properly level the rack, which will prevent the equipment from noisy operation and will ensure proper outflow of the water (condensate) during defrosting.*
- *After transporting the equipment, wait about 2 hours before the startup of the unit.*
- *In order to ensure proper conditions for the stored products, do not load the shelves completely. It is necessary to ensure even load of shelves and not to exceed the maximum load.*
- *The first filling of cooling space should be performed after its previous cooling to working temperature. This principle should also be observed after longer pause in operation.*
- *Do not block any ventilation holes, which would hamper circulation of the cooled air (Do not place the products directly to the screen!). It is also necessary to ensure proper airflow around the equipment (Ventilation holes cannot be covered).*
- *Keep the condenser clean. Impurities may lead to overheating of the compressor and as a consequence may result in damage, which is not covered by warranty.*
- *Do not use electric devices inside grocery product storing chamber.*
- *When the rack is used without the need to display goods (night work; closed post, shop) it is recommended to drop roller blinds in order to reduce consumption of electric energy.*

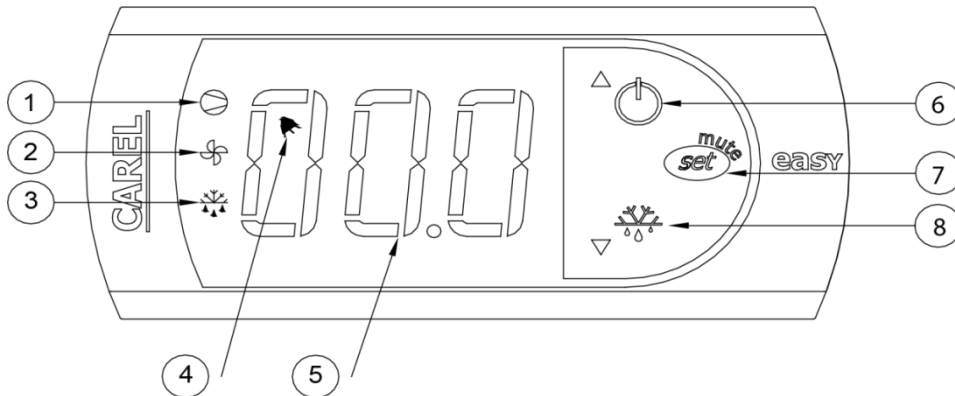
4.1. Temperature regulation

The basic aim of a thermostat is to control the cooling unit to obtain the set temperature within the equipment and maintain it within the determined temperature ranges. The producer enters all settings of temperature regulators required for normal functioning of the equipment. Before primary actuation the user should control and possibly set the required temperature inside the equipment on the control panel.

Digital display – displays the current temperature inside the equipment

It is forbidden to interfere with systemic parameters of the thermostat, as this can lead to serious consequences, including the damage of the cooling unit!

Figure 7 “Carel” thermostat control panel



QuickFinder for CAREL

WHAT DO DIODES ON CONTROL PANEL SIGNIFY

Diode 1 is on - Compressor: This symbol is visible when the compressor is working. It is blinking when compressor actuation is delayed by security procedure. It blinks in the following cycle: two blinks – pause, when the constant working mode is activated.

Diode 2 is on - Ventilator: This symbol is visible when evaporator ventilators are turned on. It blinks when the actuation of the ventilators is delayed by external disengagement or when another procedure is in progress.

Diode 3 is on - Defrosting: This symbol is visible when the defrosting function is activated. It blinks when the actuation is delayed by external disengagement or when another procedure is in progress.

Diode 4 is on - Alarm: This symbol is visible when the alarm is activated.


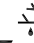


Diode 5 - Current temperature inside the equipment is displayed (decimal places displayed after the comma).

Diode 6 – On/Off Switch: Pressing this button alone: for more than 3 sec. switch On/Off, **Pressing with other buttons:** pressed together with 8 activities/deactivates the continuous cycle.

Diode 7 – Set/ Mute: **Pressing this button alone:** 1 sec. displays /sets the set point, more than 3 sec. accesses the parameter setting menu (enter password 22), mutes the audible alarm (buzzer), **Start Up:** hold the set/mute button for 1 sec. RESET current EY set / Pressed together (7 and 8) activate parameter reset procedure.

Diode 8 – Defrost: **Pressing this button alone:** more than 3 sec. activates/deactivates the defrost. **Pressing with other buttons:** pressed together with 6 activates/deactivates the continuous cycle, **Start Up:** hold for 1 sec. displays firmware version.

SETTING THE DESIRED TEMPERATURE

- Press the set button  for 1 second leading value shall be displayed on the screen
- Increase or decrease the leading value by means of  and , until the desired value shall be obtained;
- Press the set button  once again in order to confirm the new value of the setting point.

MANUAL INPUT OF THE DEFROSTING CYCLE

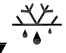
Defrosting shall be released in an automatic mode. It is possible to force defrosting at any moment by pressing and holding the  defrost switch for minimum 5 seconds.

Table 2 Table of alarms and signals

alarm code	buzzer and alarm relay	LED	alarm description	reset
E0	active	ON	probe 1 error= control	automatic
E1	active	ON	probe 2 error= defrost	automatic
E2	active	ON	probe 3 error= condenser/product	automatic
EE	active	ON	unit parameter error	not possible
EF	active	ON	operating parameter error	manual
Ed	not active	ON	defrost ended by timeout	On first defrost ended correctly
CHt	active	ON	dirty condenser alarm	manual

MODIFYING THE PARAMETERS

Parameter navigation

The operating parameters, modifiable using the keypad, are divided into two types: frequent (type F) and configuration (type C). Access to the latter is protected by password (default= 22) to prevent accidental or unauthorized modifications.

Accessing the type F parameters:

- Press the SET button for more than 3 s (if there are active alarms, mute the buzzers). The display shows the parameter code 'PS' (password);
- Use the UP and DOWN buttons to scroll the parameters. The LED corresponding to the category of parameters will be on;

- Press SET to display the value associated with the parameter
- Increase or decrease the value using the UP or DOWN button respectively;
- Press SET to temporarily save the new value and display the parameter again;
- Repeat the procedure for any other parameters that need to be modified;
- Press the SET button for more than 3 s to permanently save the parameters and exit the parameter setting procedure.

Table 3 Table of easy compact parameters for RSCD & RSCIFD

Par.	Description	Def.	UOM.	Min	Max
St	set point	1	°C	r1	r2
PS	password	22	-	0	99
/2	probe measurement stability	4	-	1	15
/4	select probe displayed	1	-	1	3
/5	select °C/°F	0	-	0(°C)	1(°F)
/6	disable decimal point	0	-	0	1
/C1	probe 1 offset	0.0	°C	-50.0	50.0
/C2	probe 2 offset	0.0	°C	-50.0	50.0
/C3	probe 3 offset	0.0	°C	-50.0	50.0
rd	control differential	3.0	°C	0	19.0
r1	minimum set point value	0.0	°C	-50.0	r2
r2	maximum set point value	15.0	°C	r1	99
r3	select direct/reverse operation	0	-	0	2
r4	night-time set point delta	3.0	°C	-50	50
c0	compressor and fan start delay on power-up	1	min	0	100
c1	minimum time between consecutive compressor starts	1	min	0	100
c2	minimum compressor off time	1	min	0	100
c3	minimum compressor on time	0	min	0	100
c4	compressor on time with duty setting	50	min	0	100
cc	continuous cycle duration	2	2	0	15
c6	temperature alarm bypass after continuous cycle	2	h	0	15
d0	type of defrost	0	-	0	4
d1	interval between defrosts	8	h	0	199
dt	end defrost temperature set point	12.0	°C	-50	130
dP	maximum defrost duration	60	min	1	199
d4	defrost when switching the instrument on	0	-	0	1
d5	defrost delay on power-up or when enabled by digital input	0	min	0	199
d6	freeze control temperature display during defrost	1	-	0	1
dd	dripping time	2	min	0	15
d8	alarm bypass time after defrost	1	h	0	15
d9	defrost priority over compressor protectors	0	-	0	1
d/	defrost probe reading (2)	-	°C	-	-
dC	time base	0	-	0	1
A0	alarm and fan temperature differential	2.0	°C	-20	+20
AL	absolute/relative temperature for low temperature alarm	0.0	°C	-50	+99
AH	absolute/relative temperature for high temperature alarm	0.0	°C	-50	+99

Ad	temperature alarm delay	0	min	0	199
A4	3rd input configuration	0	-	0	11
A7	digital input alarm delay	0	min	0	199
A8	enable alarm "Ed" (end defrost by timeout)	0	-	0	1
Ac	set point dirty condenser alarm	60	°C	-50	250
AE	dirty condenser alarm differential temperature	3.0	°C	0.1	20
Accd	dirty condenser alarm delay	0	min	0	250
H0	serial address	1	-	0	207
H1	AUX output configuration	0	-	0	2
H2	enable keypad	1	-	0	2
H4	disable buzzer	0		0	1
H5	ID code (read-only)	-1	-	1	+199
EZY	restore the Default settings	2	0	0	1

5. MAINTENANCE

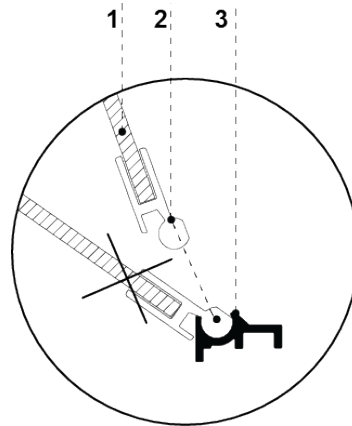
- Do not use steel wool, abrasive cleaners, bleach or cleaners containing chlorine or sodium to clean the unit.
- Do not use pressure washer or water-jet to clean the unit.
- The first cleaning of the unit should be done right after unpacking and before turning it on.
- The unit should be cleaned with warm water and a mild soap.
- Make sure to cover the fan motor to prevent moisture damage.
- Door gaskets, shelves and supports should be cleaned on a regular basis.
- Fan blades and guards should be cleaned with a soft cloth.

5.1 Cleaning and maintenance

- ***All maintenance service needs to be performed after disconnecting the equipment from power supply!***
- ***Protect electric installation against any damage or water spillage.***
- ***Do not use water stream to clean the equipment, only a moist cloth.***
- ***Do not use any sharp objects to remove Dirt!***
- ***Devices with wheels cannot be used on uneven surfaces!***
- ***When cleaning the inside of the unit DO NOT leave the front glass panel freely lifted in the aluminum profile, this may cause damage to the glass and is not covered by warranty. Please remove the glass with profile for the time of cleaning Figure 8***

Figure 8 Disassembly of the front glass

- 1 – Front glass
- 2 – Upper aluminum profile (lifted guide) of the glass
- 3 – Lower aluminum profile (hinge) of the glass

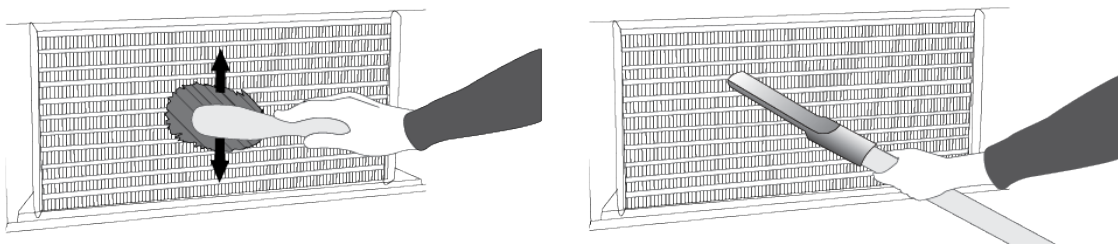


When using the display case, as well as during maintenance work, pay attention not to destroy the temperature sensor in the evaporator screen!

It is recommended to make a break in the operation once a month in order to clean the interior, naturally defrost the evaporator and clean the condenser.

If the unit is not equipped with automatic condensate evaporation, it is essential to remove the condensate from the container when filling the container Figure 5. Frequency of removing condensate (number of removals) depends on the devices operating conditions (air humidity, door opening frequency, the amount and temperature of products entered for storage)

Figure 9 Cleaning the condenser



It is essential to keep the condenser of the device clean. Dirt may hinder the heat exchange, causing mainly increase in electric energy consumption and may cause damage of the compressor. In order to clean the condenser it is necessary to unscrew the sheet metal screws and pull the wind brace out of catch by lifting it up. Clean condenser lamellas with help of soft brush or paint brush. If the condenser is extremely dirty (blocking of lamellas) it is indicated to use vacuum cleaner or compressed nitrogen to suck / blow the dirt from between lamellas.

The seller shall not be held responsible for damages of the condenser unit resulting from non-observance of condenser cleaning instructions.0

Do not use mechanical agents to quicken the defrosting process!

6. SERVICE

6.1. Fault identification and repair

In case of any difficulties during actuation of the equipment or during its operation, please return to these chapters in this manual, which explain the performed operation. This aims to ensure that the equipment is properly operated. If you still experience difficulties, the following hints might help you solve the problem.

The equipment is not working... – Make sure that:

- The equipment is connected to the supply network
- Voltage and frequency in the network are compliant with those recommended by the producer, 115V/60Hz
- The main switch is turned on
- Thermostat is turned on

The equipment is operating, but the lighting is off...– Make sure that:

- Light switch is turned on
- Lamp or starting switch of the unit is not burnt

Water leakage from under the device

- Check whether the equipment is properly levelled
- Empty the condensate container

The equipment does not reach the proper temperature, the lighting is on...– Make sure that:

- The main switch is on
- Temperature setting on the thermostat is properly set
- Thermostat works properly
- The condenser is clean, if necessary – clean the condenser
- Ambient temperature does not exceed 25°C
- Enough time has passed for products to be cooled
- Ventilation holes are not blocked

The equipment is working too loud...– Make sure that:

- The equipment is standing stably and is properly levelled
- Furniture adjoining the equipment does not vibrate when self-contained compressor is working

A noise made by the operating device is normal. The units are equipped with ventilators, engines and compressors, which turn on and off automatically. Each compressor makes certain noises when operating. These sounds are made by the aggregate engine and by the cooling agent flowing through the circuit. This phenomenon constitutes a technical feature of cooling devices and it does not signify their faulty work.

Steam precipitation on glasses is a normal phenomenon in case of high relative air humidity exceeding 55% and does not require calling for service.

6.2 Service

IGLOO Refrigeration service

Telephone number: 416-663-3051 or (toll free) 1-888-408-8819

E-mail: service@igloo400.com

If after checking points described in chapter 6.1 “Fault identification and repair” and the unit still does not work properly,

Please contact Technical Service @ IGLOO Refrigeration.