

THERMA-TEK

R A N G E C O R P .

Therma-Tek Range Corp.
115 Rotary Drive, Valmont Industrial Park
West Hazleton, PA 18202



TCTYG36

GAS TEPPAN-YAKI GRIDDLES (Translation "Iron Plate-Grilled")

GENERAL SPECIFICATIONS

Heavy duty gas Teppan-Yaki griddles built on welded angle iron frame construction for strength and durability. Single burner controlled by a reliable, full-range brass valve. Removable grease container is provided for easy cleaning. Standard model sizes are 24" (610 mm), 36" (915 mm), 48" (1,219 mm), 60" (1,524 mm), and 72" (1,829 mm).

STANDARD FEATURES

- * Fully stainless steel exterior
- * 3/4" thick, highly polished steel plate
- * 24" (610 mm) working depth
- * One heavy duty round burner to create a hot spot in the center of the griddle
- * Burner rated at 30,000 BTU's per hour
- * Spatula width stainless steel grease trough
- * Large capacity grease container
- * Gas pressure regulator
- * 4" (101.5 mm) adjustable legs
- * One year limited parts and labor warranty

OPTIONAL UNIT FEATURES

- * 1" thick griddle plate
- * 1/2" stainless steel side and rear plate splash
- * Stainless steel finished panel trim kit – sides and rear

OPTIONAL STAND

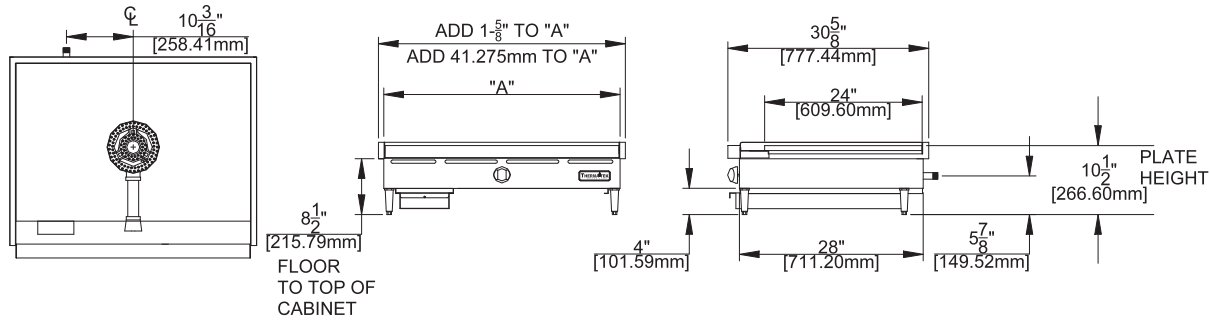
- * Stainless steel equipment stand with stainless steel bottom shelf
- * Chrome-plated leveling feet
- * Available sizes 24" (610 mm), 36" (915 mm), 48" (1,219 mm), 60" (1,524 mm), and 72" (1,829 mm)
- * Casters – set of four – front locking

HEAVY DUTY GAS TEPPAN-YAKI GRIDDLES



Therma-Tek Range Corp.
115 Rotary Drive, Valmont Industrial Park
West Hazleton, PA 18202

TCTYG36



| GAS REQUIREMENTS | | | | | | |
|---------------------------------|-------|---------|------|---------------------|-------------------------|--------|
| Operating Manifold Gas Pressure | | | | Manifold Connection | Input Rating per Burner | |
| Natural | | Propane | | | | |
| "WC | mbar | "WC | mbar | 3/4" NPT | Total BTU/Hr | kW |
| 5 | 12.45 | 10 | 24.9 | | | 30,000 |

| Model Number | Dimension "A" | |
|--------------|---------------|------|
| | inches | mm |
| TCTYG24 | 24 | 610 |
| TCTYG36 | 36 | 915 |
| TCTYG48 | 48 | 1219 |
| TCTYG60 | 60 | 1524 |
| TCTYG72 | 72 | 1829 |

| Model Number | Description: 3/4" Plate w/o Splash | Total gas consumption per model | | Gross Weight | |
|--------------|---|---------------------------------|------|--------------|-----|
| | | Total BTU/Hr | kW | Lbs. | Kg |
| TCTYG24 | 24" Teppan-Yaki Griddle with 3/4" Plate | 30,000 | 8.79 | 250 | 114 |
| TCTYG36 | 36" Teppan-Yaki Griddle with 3/4" Plate | 30,000 | 8.79 | 340 | 154 |
| TCTYG48 | 48" Teppan-Yaki Griddle with 3/4" Plate | 30,000 | 8.79 | 435 | 197 |
| TCTYG60 | 60" Teppan-Yaki Griddle with 3/4" Plate | 30,000 | 8.79 | 600 | 272 |
| TCTYG72 | 72" Teppan-Yaki Griddle with 3/4" Plate | 30,000 | 8.79 | 700 | 318 |

| Model Number | Description: 1" Plate w/o Splash | Total gas consumption per model | | Gross Weight | |
|--------------|---------------------------------------|---------------------------------|------|--------------|-----|
| | | Total BTU/Hr | kW | Lbs. | Kg |
| TCTYG24-1 | 24" Teppan-Yaki Griddle with 1" Plate | 30,000 | 8.79 | 333 | 151 |
| TCTYG36-1 | 36" Teppan-Yaki Griddle with 1" Plate | 30,000 | 8.79 | 453 | 206 |
| TCTYG48-1 | 48" Teppan-Yaki Griddle with 1" Plate | 30,000 | 8.79 | 580 | 263 |
| TCTYG60-1 | 60" Teppan-Yaki Griddle with 1" Plate | 30,000 | 8.79 | 800 | 363 |
| TCTYG72-1 | 72" Teppan-Yaki Griddle with 1" Plate | 30,000 | 8.79 | 933 | 434 |

NOTE: Add suffix "N" for natural gas, and "L" for propane.

| CLEARANCES | Sides | Back |
|-----------------|-------|------|
| Non Combustible | 0" | 0" |
| Combustible | 0" | 0" |

Installation Notes

This product is NOT approved for residential use.
Please advise us of installation over 2000ft. (610m) altitude.
Installation clearance reduction applies only where local codes permit.
All Therma-Tek products are covered by a one year limited parts and labor warranty.
A detailed warranty is included with the appliance or is available upon request.
Installation and/or operation by other than manufacturer's recommendations may void warranty.

Because of continuing product improvement, these specifications are subject to change without notice.



Printed January 2011
Printed in the USA