

PPR-4S-2DS Proofer

Features

- Stainless steel interior, including ceiling and floor.
- Stainless steel and aluminized exterior panels.
- Glass doors with anodized aluminum frame.
- Stainless steel heating and humidification box inside the proofer.
- Stainless steel air duct.
- Relative humidity up to 80% and temperature to 120° F.
- Aluminum bumpers.
- 1-1/2" thick insulated walls.
- Safety handle to exit the proofer.

Model

- PPR-4S-2DS (4 simple racks, 2 doors)
 - Eyes height digital controls.
 - Interior lighting.
 - Other models available upon request.
- * See specifications and details on back.

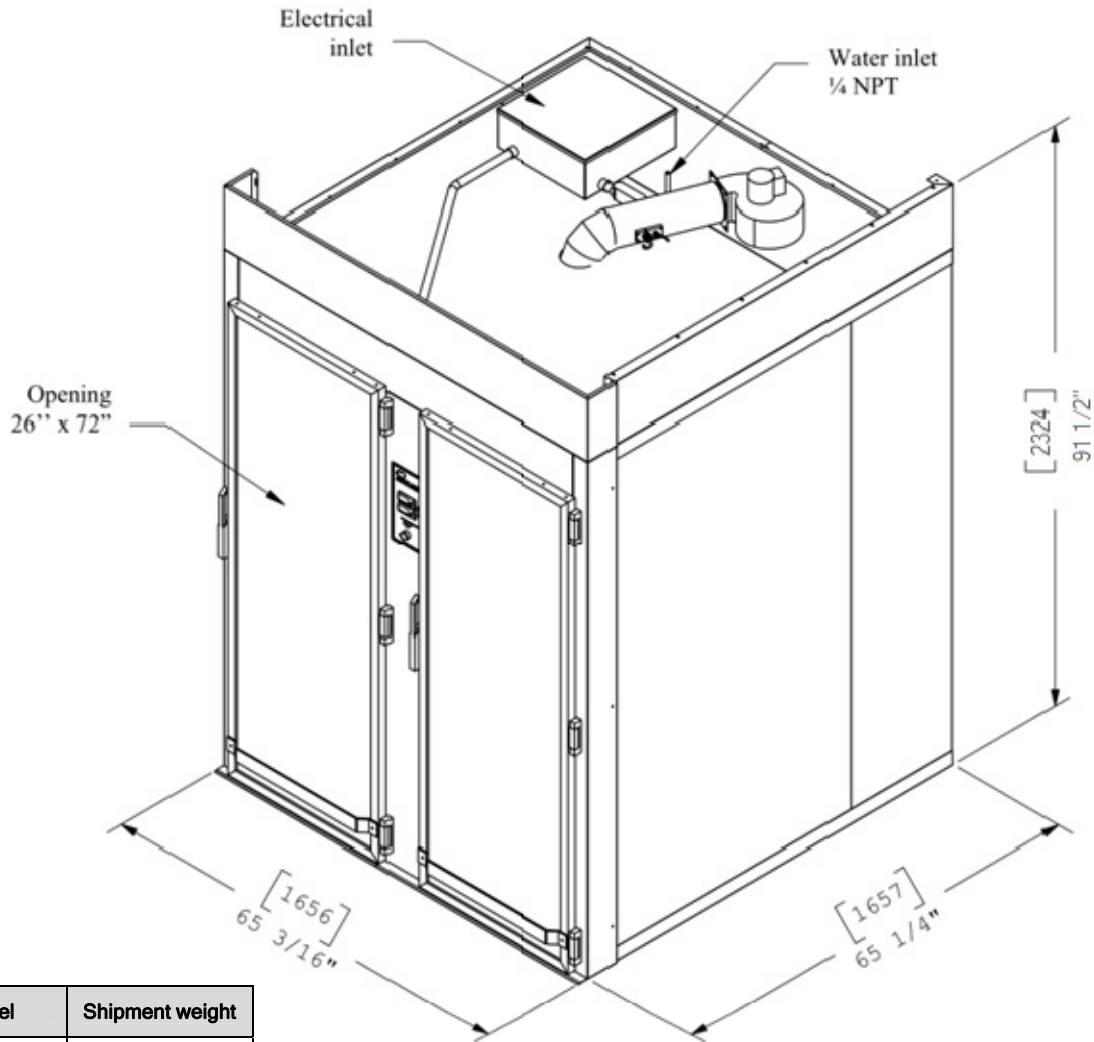
Installation

A Picard technical supervisor will unload and assemble the proofer at the purchaser's place. The customer has to supply two helpers to unload the proofer from the truck (1 hour only) and one man to assemble the proofer (1 day). All proofer parts can pass through a regular 36"x 80" door and be moved by hand.

All electrical and water hook-ups are at the customer's expenses and have to be done by qualified technicians and accordingly to local codes.



PPR-4S-2DS Proofer



Model	Shipment weight
PPR-4S-2DS	1 000 lbs.

CLEARANCES REQUIRED

Floor to ceiling	Sides and Back to Wall	Floor
96"	0"	Approved for combustible surface

TECHNICAL FEATURES

Model	Capacity	Electricity	Power	Limit Temperature	Max. humidity
PPR-4S-2DS	4 single racks	110-240V / 1PH / 28A	6 000 Watts	120° F	80 %
		110-208V / 3PH / 23A			

Note: It is recommended to install a sediments filter on the water inlet: by example "Cuno CFS 5400N".

* Continuous products development is a policy at Picard. Therefore, we reserve the right to modify these features



Picard Ovens Inc.

and/or design without prior notification.