

PRODUCT:

QUANTITY:

ITEM:

Models □ CDO-18B

Designed Smart

The CDO-18B Countertop Deck Oven is constructed of stainless steel top, sides and door liner with aluminized steel oven liner. The oven compartment has a ceramic phosphate deck 17 3/4"D x 17 1/2"W, which is removable to allow for easy cleaning.

The oven thermostat range is 140F – 550F and includes a 60 minute timer. Thermostat controls three sheath-type electric elements. The locations of the three elements are: one under each deck and one at the inside top of the oven.



Model CDO-18B Countertop Deck Oven

APW Wyott Design Features

- Enclosed electric cooking oven with 60 minute timer
- The deck is ceramic phosphates (asbestos free). The deck is removable for easy cleaning. Deck size is 17 3/4" x 17 3/4"
- Each deck has stainless steel edging
- Thermostat range from 140F – 550F with off position
- Three prong 6 ft power cord supplied
- Unitized, welded, aluminized steel interior
- Fully insulated
- Balanced door, stay down in the open position
- Bakes pizza up to 16" diameter, cookies, casseroles, pretzels, hot sandwiches, and pies

Reliability backed by APW Wyott's Warranty

All APW Wyott Cookline Equipment is backed by a 1-year limited warranty and a 1-year on-site labor warrant.

•Certified by the following agencies:



See reverse side for product specifications.

PRODUCT:

QUANTITY:

ITEM:

PRODUCT SPECIFICATIONS

Construction:

Stainless steel exterior with a welded aluminized steel interior. Insulated with a springloaded door to keep the door closed in the upright position. The interior has aluminized inner liner with two easily removable ceramic phosphate shelves. The legs have ½" rubber feet to prevent the unit from sliding on the counter top.

Electrical:

120V, 1500W, 15 Amps
208/240V, 1600/2140W, 7./9 Amps
220V, 1830W, 8.3 Amps

Overall Dimensions:

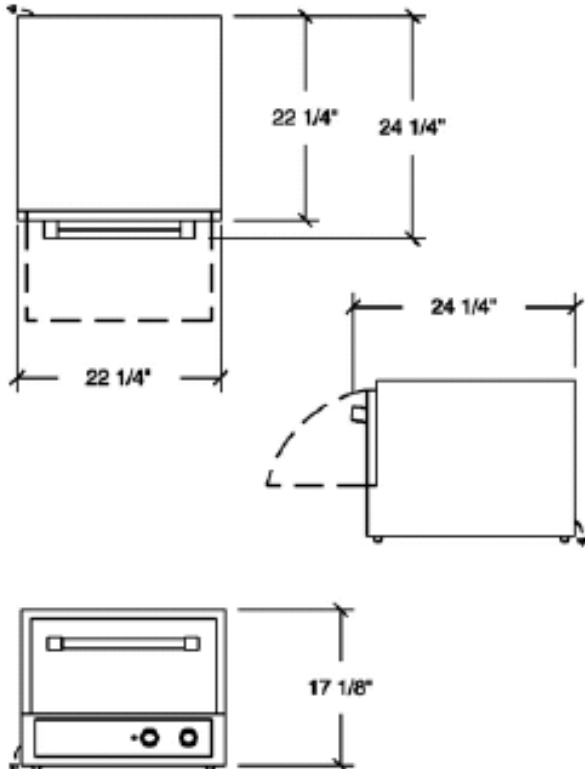
Exterior: 17" H x 23" W x 25"D

Inside: 2 shelves: 17 3/4" x 17 3/4" with 3" of clearance

Shipping Information:

Weight 120 lbs

F.O.B. Cheyenne, WY



*APW Wyott reserves the right to modify specifications or discontinue models without incurring obligation.