

K540E-A

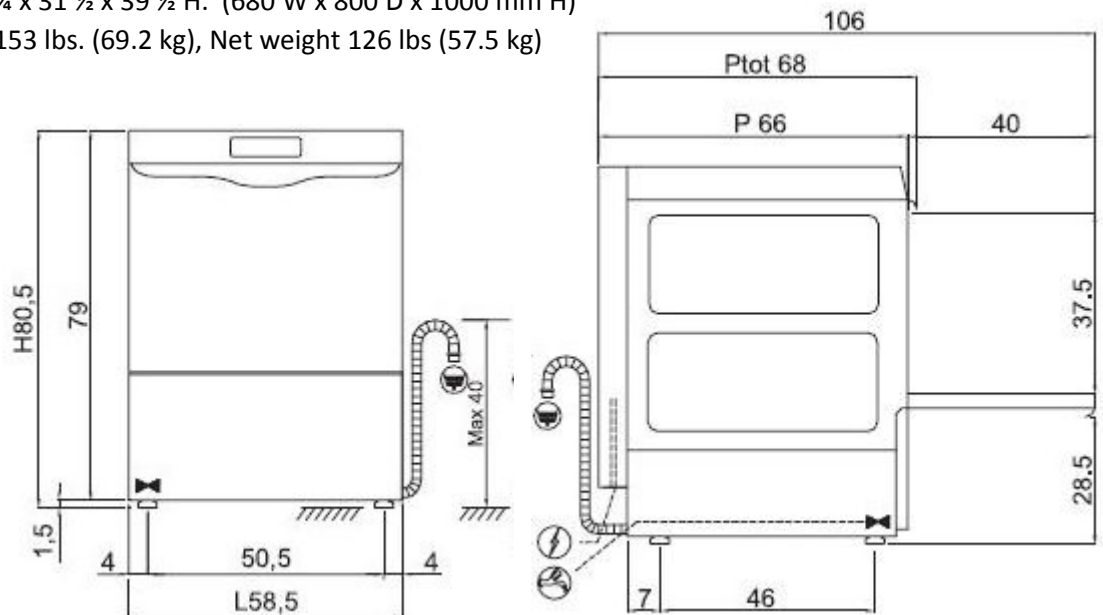
KORAL Dishwasher, with the Ecoclean Control system to guarantee the partial refill of water at every wash cycle, is the ideal solution in terms of efficacy, hygiene, saving, and respect for the environment.

TECHNICAL FEATURES

- EWC System, electronic control with 4 individual programmable cycle (60/90/120/240 default times)
 - Control panel with LCD Display
 - Built-in drain pump
 - Adjustable 3 L/h detergent dispenser
 - Adjustable 0,3 L/h rinse-aid dispenser
 - Partial refill of clean water at every wash cycle
 - Uses standard 20" x 20" (500 x 500 mm) baskets
 - Basket supplied: 1 dish basket, 1 glass basket, 2 cutlery Tray
 - Wash pump: 3/4 HP
 - Wash Tank: heating element: 2.6 kW, capacity: 7 G (26 L)
 - Booster: heating element: 2.5 kW, capacity: 1.9 G (7.3 L)
 - Door clearance: 14.8" (375 mm) H
 - Stainless steel detergent injector welded to tank
 - DVGW (vacuum breaker) valve
 - Adjustable rotation speed of stainless steel rinse arms
 - New filtering group for suction and drain
 - Low maintenance, heavy duty
 - Warranty 2 year parts 1 year labor (see details)
-
- Power requirements: 3.30 kW, 208/220 V, 50/60 Hz, 16 A , 1PH
 - Hot water requirements: ½ GPC (2.6 LPC) 125°F (55°C) (will operate with cold water. At reduced capacity)
 - Water line requirements: ¾" (or ½" with ¾" NPT terminal) (hose supplied)
 - Water pressure requirements 30 – 60 psi (2 – 4 bar)
 - Drain line: 1" (25 mm) (connection hose supplied)
 - Dimensions : 23 x 26 ¾ x 31 ¾ H. (585 W x 680 D x 805 mm H)
 - Shipping size: 26 ¾ x 31 ½ x 39 ½ H. (680 W x 800 D x 1000 mm H)
 - Shipping weight: 153 lbs. (69.2 kg), Net weight 126 lbs (57.5 kg)



Intertek



K540E-A

50 years of experience

of an evolving technology. We offer you a professional wash system, designed and created in order to obtain excellent results of cleaning, hygiene and brightness.

High-quality products

conceived by following a policy of energy saving and lower water and detergents consumption.

Top quality and performances

without compromise, all with a lower running cost, and at a very reasonable price.



Ultimo Stainless Products inc.

2016 NRA Show Chicago
Booth Number 10144

USA: 561-372-5221
Canada: 514-481-8665

