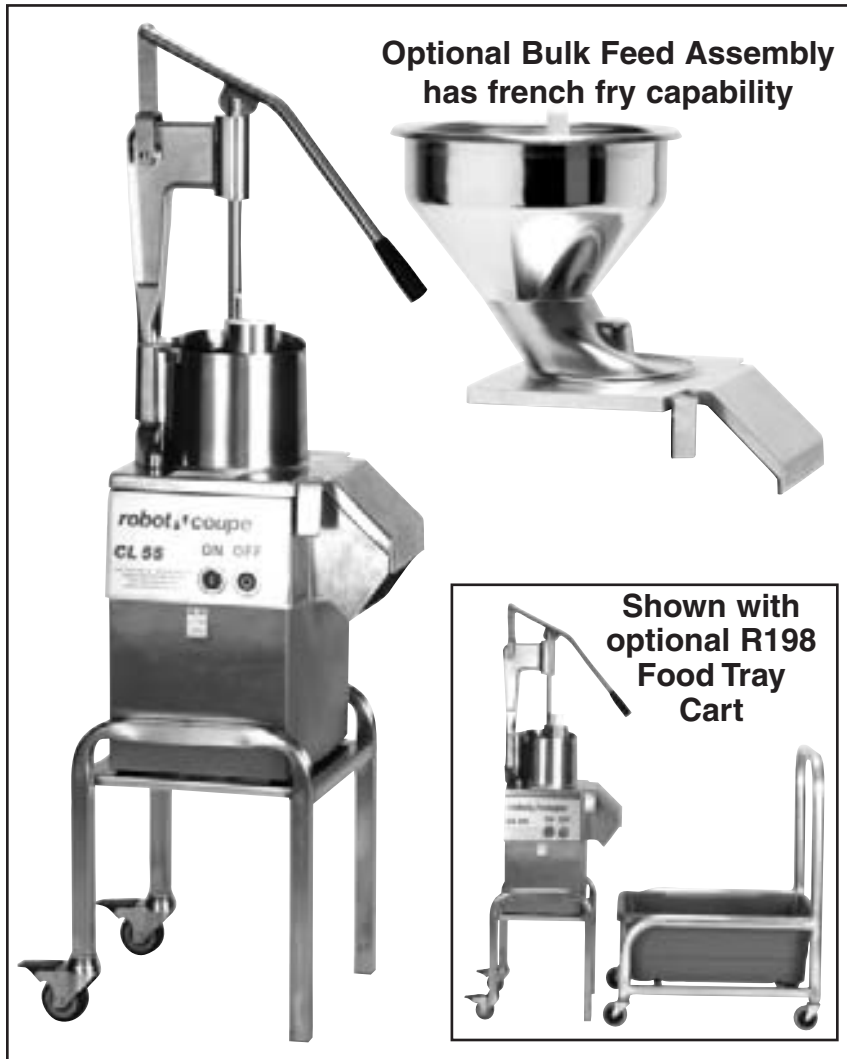


All Metal Commercial Food Processor



Prepare 1200 servings in 3 hours or less.

Process whole heads of cabbage, lettuce, bulk cheese, etc. Unit yields consistent professional quality cuts for restaurants, institutions,

delicatessens, caterers, fast food restaurant and food manufacturers.



- All metal construction.
- "Whole head" large feed opening and small built-in feed opening for carrots, celery, etc.
- "On-Off" pusher-type switch, plus magnetic safety switch to stop motor when cover or pusher feed is opened.
- Feed lead specially designed for easy removal and cleaning. Optional bulk feed assembly available.
- A complete collection of cutting discs, including slicers, waved slicers, graters, julienne, french fry and dicing grids. Uses 39 (bulk) or 37 (pusher) different processing discs.
- Comes with stainless steel stand with casters for easy maneuverability.
- 1 year parts and labor warranty.

Robot Coupe U.S.A., Inc.

P.O. Box 16625

Jackson, MS 39236-6625

1-800-824-1646 • (601) 898-8411

Fax: (601) 898-9134

www.robotcoupeusa.com • e-mail: info@robotcoupeusa.com

SPECIFICATIONS ON REVERSE SIDE

Specifications

STANDARD PACK: CL55D Pusher

Includes motor base unit, all-metal "pump handle" feed unit mounted on stainless steel stand with casters, one medium 1/8" (3mm) grating disc and one 1/8" (3mm) slicing disc.

ELECTRICAL: 120V, 60Hz, 12.0 Amps, single phase. Contact your local electrician for local code requirements.

MOTOR: 2.5 HP, 425 RPM.

WEIGHT: 86 lbs. approximate shipping weight.

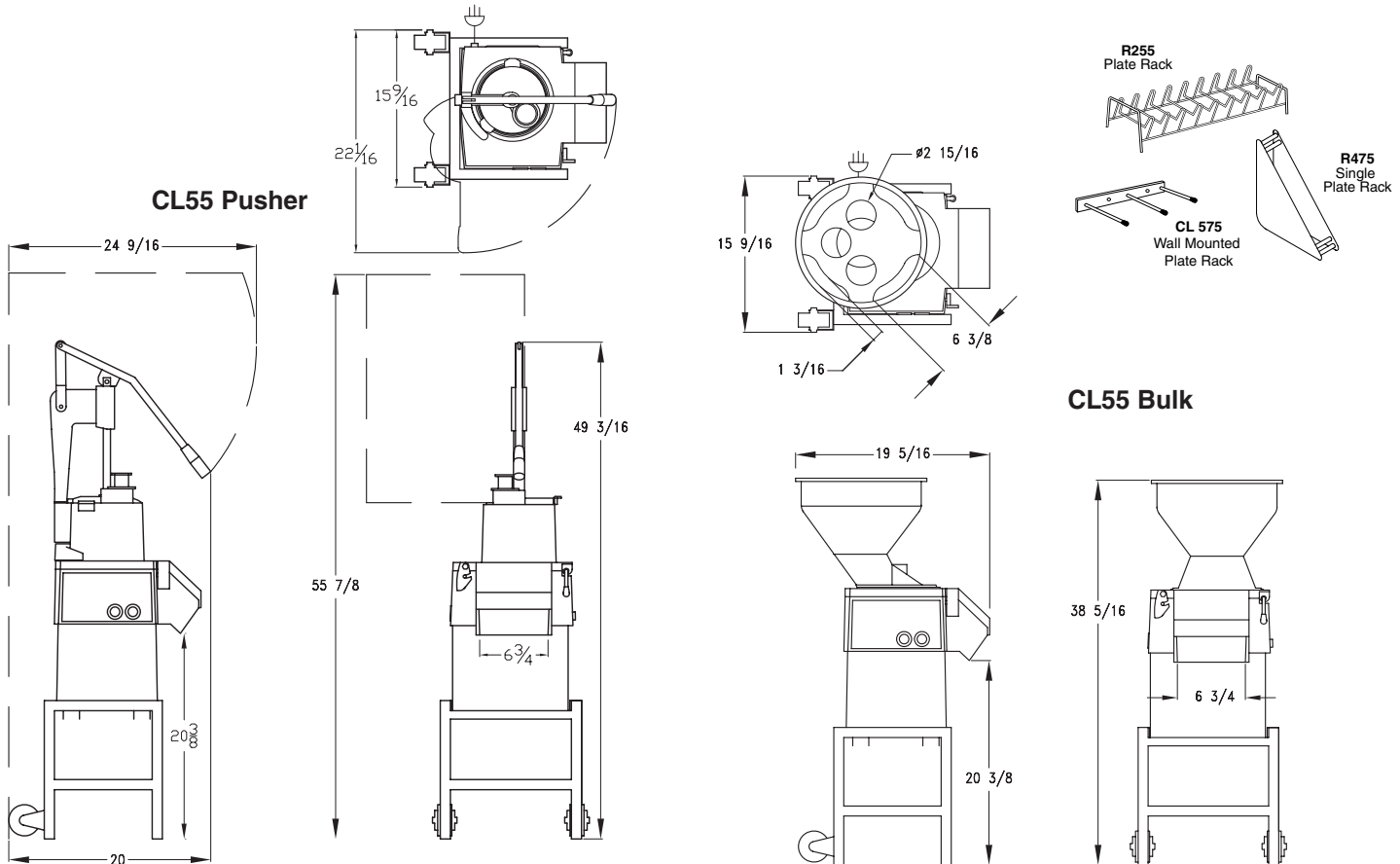
STANDARDS: ETL electrical & Sanitation, cETL (Canada)

PROCESSING DISCS

* For Series D machines only

French Fry Kits available for Bulk Feed units **ONLY.

Slicing Discs		Grating Discs		Julienne Discs	
28062	1/32" (1mm)	28270	1/16" (1.5mm)	28051	5/64" x 5/64" (2mm x 2mm)
28063	5/64" (2mm)	28057	5/64" (2mm)	27072	5/64" x 5/32" (2mm x 4mm)
28064	1/8" (3mm)	28058	1/8" (3mm)	27066	5/64" x 1/4" (2mm x 6mm)
28004	5/32" (4mm)	28073	5/32" (4mm)	27067	5/64" x 5/16" (2mm x 8mm)
28128*	3/16" (5mm)	28163	3/16" (5mm)	28052	5/32" x 5/32" (4mm x 4mm)
28129*	5/16" (8mm)	28164	9/32" (7mm)	28053	1/4" x 1/4" (6mm x 6mm)
28130*	3/8" (10mm)	28165	11/32" (9mm)	28054	5/16" x 5/16" (8mm x 8mm)
28131*	9/16" (14mm)	28055	Fine Pulping		
28081	3/4" (19mm)	28061	Hard Cheese Grate		
28132*	25/32" (20mm)				
28133*	1" (25mm)				
Ripple Cut Slicers		French Fry Kits**		Dicing Kits	
27068	5/64" (2mm)	28134*	5/16" (8mm)	28110	3/16" x 3/16" (5mm x 5mm)
27069	1/8" (3mm)	28135*	3/8" (10mm)	28111	5/16" x 5/16" (8mm x 8mm)
27070	3/16" (5mm)			28112	3/8" x 3/8" (10mm x 10mm)
				28113	9/16" x 9/16" (14mm x 14mm)
				28114	25/32" x 25/32" (20mm x 20mm)
				28115	1" x 1" (25mm x 25mm)
		Romaine Lettuce Kit			
		28133/104031	2"		



Robot Coupe U.S.A., Inc.

P.O. Box 16625

Jackson, MS 39236-6625

1-800-824-1646

(601) 898-8411

Fax: (601) 898-9134

www.robotcoupeusa.com

e-mail: info@robotcoupeusa.com

Distributed by: