

DSCD

Straight glass, Self contained

REFRIGERATED DELI/MEAT/CHEESE/SALAD CASE



DSCD6

Standard Features

- Self contained unit
- Gravity cooling - top and bottom
- Stainless steel worktop
- Triple pair front glass
- Automatic defrost system
- Display space thermometer
- Electronic temperature controller with digital display
- Front glass warm air blast
- Movable work shelf
- Interior made of stainless steel
- LED lighting
- Front bumper - multiple colours available

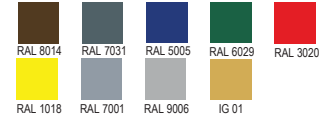
Options

- Different colours available upon special order
- Remote compressor

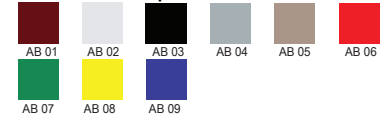
Metal element standard colours



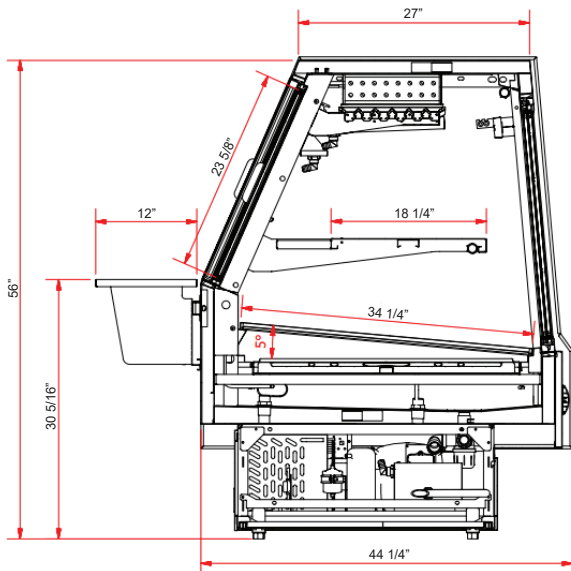
Metal element colours (Upon special order)



Plastic bumper colours



Technical Drawing



Dimensions

Model	Dimension W x D x H	Weight (lbs / kg)
DSCD4	53" x 44 1/4" x 56"	-
DSCD6	77 1/8" x 44 1/4" x 56"	-
DSCD8	102" x 44 1/4" x 56"	-
DSCD12	151" x 44 1/4" x 56"	-

Voltage

- 115V | 1ph | 60 Hz | 15A, max. fuse: 20A

* Specifications are subject to change without notice.

**All measurements are approximates.

***All equipment are designed to operate in a controlled environment below 75°F (+24°C) temperature and HR 55% relative humidity.