

### C2URP 2 Shelf

### OPENABLE FRONT GLASS REFRIGERATED PASTRY CASE

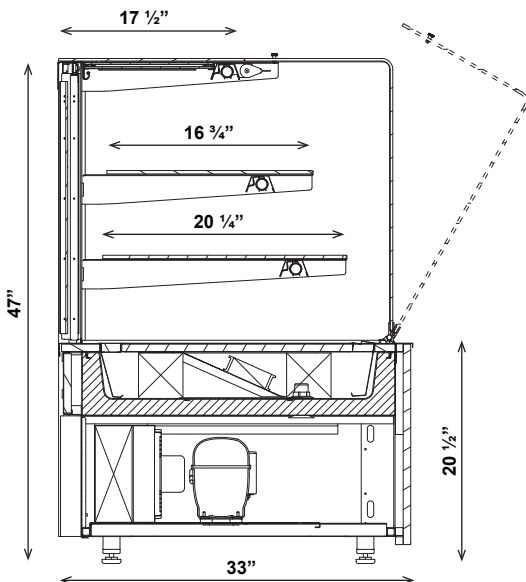


C2URP4

#### Standard Features

- Openable front glass with bending radius R20
- Internal cooling aggregate
- Dynamic cooling (ventilated) system
- External housing made of black/white coated steel
- Side panels made of black coated steel
- Ecological polyurethane foam insulation
- Bottom shelf made of black/white melamine
- Back sliding doors with combined glass
- Front glass warm air blast
- Each shelf includes LED lighting
- Device leveling legs
- Automatic defrost system
- Automatic condenser vaporization system
- Electronic temperature controller with digital display
- Glass shelves with height and angle adjustment

#### Technical Drawing



\*\*\*All equipment are designed to operate in a controlled environment below 75°F (+24°C) temperature and HR 55% relative humidity.

#### Options

- Multiple colours available
- Option of multiplexing
- Internal frame available in silver or gold
- Remote compressor

#### Metal element colours



#### Aluminum profile colours



#### Dimensions

Model	Dimension W x D x H	Weight (lbs / kg)
C2URP2	24" x 33" x 47"	198 / 90
C2URP3	36" x 33" x 47"	308 / 140
C2URP4	51 1/2" x 33" x 47"	397 / 180
C2URP6	71 1/2" x 33" x 47"	441 / 200

\* Customizable options available

\* Multiple sizes available

#### Voltage

- C2URP2,3 : 115V / 1ph / 60 Hz / 8A, max. fuse: 15A
- C2URP4 : 115V / 1ph / 60 Hz / 12A, max. fuse: 15A
- C2URP6 : 115V / 1ph / 60 Hz / 15A, max. fuse: 20A

\* Specifications are subject to change without notice.

\*\*All measurements are approximates.