

salva



kwik-co KX-9+H+KXS-10

Kwik-co is a electrical oven with advanced design of straight lines and last generation materials, it opens a new oven concept, witch is ideal for shops, big surfaces, café shops and to cook facing the public.

STRUCTURE

- **Motorised vent damper**
In all versions. It do away with the need for manual operator action halfway through cooking.
- **Fan**
Is the core of the oven. It's auto-reverse rotation every two minutes guarantees even cooking.
- **Side air tanks**
Designed for an even distribution of airflow throughtout the chamber to ensure excellent product cooking.
- **PREMIUM control panel**
It consists of 100 programs, shot power, additional information on cooking and access to SALVALINK.
- **Rapid recovery steam producer**

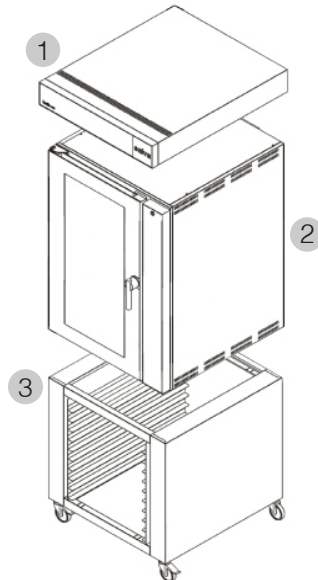
PRODUCT NEWS

- **ECO energy design**
Full load resistance is active only the 55% of the cooking time.
- **Stainless steel casing**
Guarantees the aesthetic balance of the tempered glass with usage requirements, protecting it as a sort of bumper.
- **Robust and reliable handle**
Marking all the personality of SALVA.
- **COOL-TOUCH door**
Double-glazed door with easy-open system for cleaning. Cool external glass due to a system of thermal insulation and "Low-E" low emissivity windows.
- **Hinged air tanks**
Guarantees a easy access to the cooking chamber for cleaning.

OVEN COMPOSITION AND DETAILS

- 1 Hood KXC**
Beauty hood.
Connectable to the system of aspiration of the place.
Height: 160 mm.

- 3 Support KXS-10**
It places the oven to a height adapted to work.
Capacity: 10 trays.
Legs height: 703 mm.
Wheels height: 100 mm.
The front wheels have built-in brake.



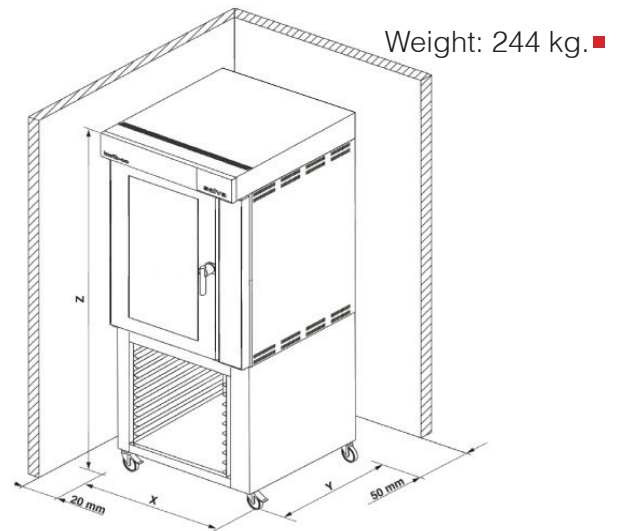
- 2 KX-9+H oven**
Height: 1070 mm.
Capacity: 9 trays (60 x 40 cm)
o 9 trays (66 x 46 cm).

kW	V	A	Hz	BOCPD
14.2	208	37.6	50/60	60
	240			

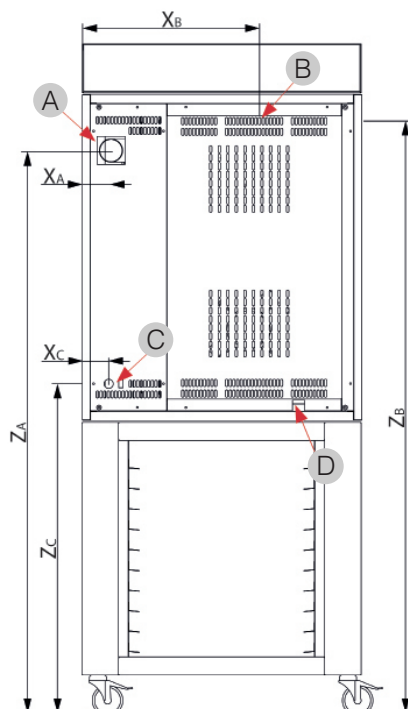
INSTALLATIONS IN DETAIL

- A Baking chamber fumes chimney**
It is recommendable to use a standard independent insulated damper of 80 mm (6.9") inside diameter.
- B Water supply**
Outlet water pressure have to be lower than 0,5 bar.
3/4" (19,05 mm) female connector.
Connection to the oven by 1 m long flexible hose.
- C Electric power supply**
The electrical connection should be performed by authorized professionals, following the rules in force in each country.
- D Drainage**
Rubber tube drain.
Connection to the oven by 30 mm internal diameter flexible hose.

GENERAL DIMENSIONS



X	Y	Z
915 mm	1097 mm	1933 mm



Facilities location (mm)

	X	Y	Z
A Baking chamber fumes chimney	100	-	1636
B Water supply	561	-	1673
C Electric power supply	210	-	783
D Drainage	850	-	753