

10M 4 Shelves, Self Contained

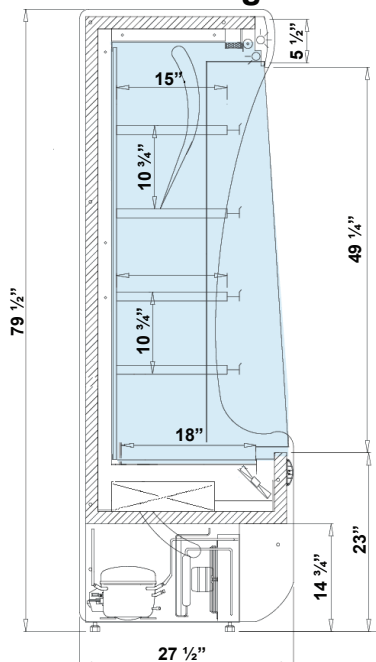
27" DEEP SLIM LINE MULTI-DECK OPEN MERCHANDISERS



Standard features

- Self contained
- Dynamic cooling
- Body white finished inside and outside
- LED lights on all shelves
- ABS sides with glass window
- Price strips - color selection available
- Top internal lighting
- Top panel illuminated - Plexiglass color selection available
- Night curtain
- Display shelves (height/angle adjustable)
- Adjustable legs
- Electronic programmable thermostat
- Digital temperature display
- Auto defrost

Technical Drawings



Options

- Base & front panel color options available
- Stainless steel butcher hangers
- Metal sides available (10MPS)
- Fruit and vegetable baskets in angled position
- Goods securing fence
- Stainless steel finish with mirror (10MSS)
- Possibility of multiplexing
- Remote compressor

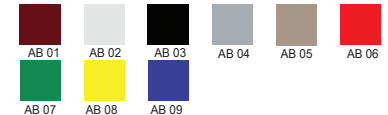
Plastic bumpers colors



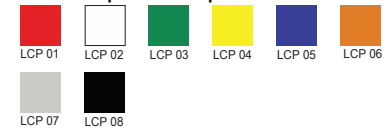
Top panels colors



Plastic sides colors



Plastic price stripes colors



Metal elements colors



Dimensions

Model	Dimension W x D x H	Weight (lbs / kg)
10M3	39 1/2" x 27 1/2" x 79 1/2"	331 / 150
10M4	51 1/2" x 27 1/2" x 79 1/2"	397 / 180
10M5	63 1/2" x 27 1/2" x 79 1/2"	463 / 210
10M6	75 1/2" x 27 1/2" x 79 1/2"	551 / 250
10M8	100" x 27 1/2" x 79 1/2"	639 / 290

*** Endless lineup, any length available**

Voltage

- 10M3,4 : 115V, 1ph, 60 Hz, 15A, max. fuse: 20A
- 10M5~8 : 115V/220V, 1ph, 60 Hz, 11A, max. fuse: 15A

* Specifications are subject to change without notice.

**All measurements are approximates.

***All equipment designed to operate in controlled environment below 75°F (+24°C) temperature and HR 55% relative humidity.

10MPS 4 Shelves, Self Contained

Painted Steel Finish

29" DEEP SLIM LINE
MULTI-DECK
OPEN MERCHANDISERS



10MPS4

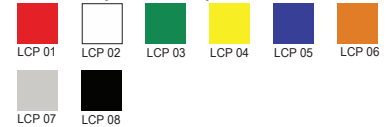
Standard features

- Self contained
- Dynamic cooling
- LED lights on all shelves
- Price strips - color selection available
- Painted steel finish
- Night curtain
- Display shelves (height/angle adjustable)
- Adjustable legs
- Electronic programmable thermostat
- Digital temperature display
- Auto defrost

Options

- Stainless steel finish available
- Stainless steel butcher hangers
- Fruit and vegetable baskets in angled position
- Goods securing fence
- Possibility of multiplexing
- Remote compressor

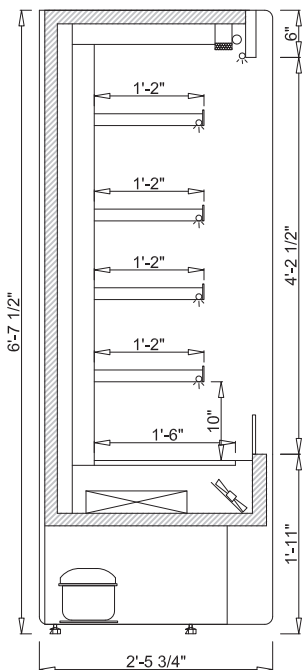
Plastic price stripes colors



Metal elements colors



Technical Drawings



Dimensions

Model	Dimension W x D x H	Weight (lbs / kg)
10MPS3	39 1/2" x 29 3/4" x 82"	331 / 150
10MPS4	51 1/2" x 29 3/4" x 82"	397 / 180
10MPS5	63 1/2" x 29 3/4" x 82"	463 / 210
10MPS6	75 1/2" x 29 3/4" x 82"	551 / 250
10MPS8	100" x 29 3/4" x 82"	639 / 290

*** Endless lineup, any length available**

Voltage

- 10MPS3,4 : 115V, 1ph, 60 Hz, 15A, max. fuse: 20A
- 10MPS5,6,8 : 115V/ 220V, 1ph, 60 Hz, 11A, max. fuse: 15A

* Specifications are subject to change without notice.

**All measurements are approximates.

***All equipment designed to operate in controlled environment below 75°F (+24°C) temperature and HR 55% relative humidity.

10MSS 4 Shelves, Self Contained

Stainless Steel Finish

29" DEEP SLIM LINE

MULTI-DECK

OPEN MERCHANDISERS



10MSS4

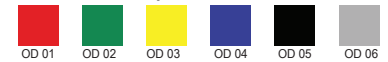
Standard features

- Self contained
- Dynamic cooling
- LED lights on all shelves
- Price strips - color selection available
- Stainless steel finish
- Night curtain
- Display shelves (height/angle adjustable)
- Adjustable legs
- Electronic programmable thermostat
- Digital temperature display
- Auto defrost

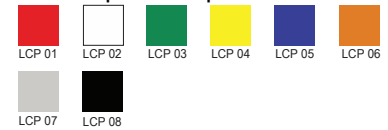
Options

- Stainless steel butcher hangers
- Fruit and vegetable baskets in angled position
- Goods securing fence
- Possibility of multiplexing
- Remote compressor

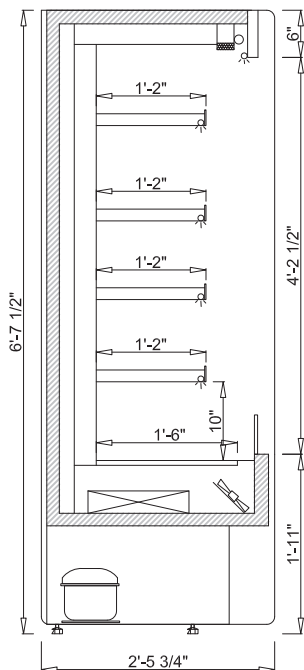
Plastic bumpers colors



Plastic price stripes colors



Technical Drawings



Dimensions

Model	Dimension W x D x H	Weight (lbs / kg)
10MSS3	39 1/2" x 29 3/4" x 82"	331 / 150
10MSS4	51 1/2" x 29 3/4" x 82"	397 / 180
10MSS5	63 1/2" x 29 3/4" x 82"	463 / 210
10MSS6	75 1/2" x 29 3/4" x 82"	551 / 250
10MSS8	100" x 29 3/4" x 82"	639 / 290

*** Endless lineup, any length available**

Voltage

- 10MSS3,4 : 115V, 1ph, 60 Hz, 15A, max. fuse: 20A
- 10MSS5,6,8 : 115V/ 220V, 1ph, 60 Hz, 11A, max. fuse: 15A

* Specifications are subject to change without notice.

**All measurements are approximates.

***All equipment designed to operate in controlled environment below 75°F (+24°C) temperature and HR 55% relative humidity.

10M 5 Shelves, Remote

27" DEEP SLIM LINE MULTI-DECK OPEN MERCHANDISERS



10M6 Remote

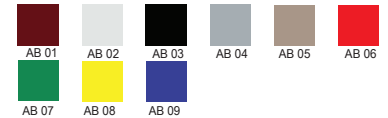
Standard features

- Self contained
- Dynamic cooling
- Body white finished inside and outside
- LED lights on all shelves
- ABS sides with glass window
- Price strips - color selection available
- Top internal lighting
- Top panel illuminated - Plexiglass color selection available
- Night curtain
- Display shelves (height/angle adjustable)
- Adjustable legs
- Electronic programmable thermostat
- Digital temperature display
- Auto defrost

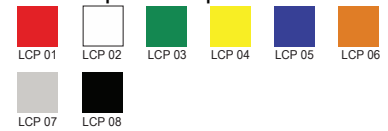
Options

- Base & front panel color options available
- Stainless steel butcher hangers
- Fruit and vegetable baskets in angled position
- Goods securing fence
- Stainless steel finish with mirror option
- Possibility of multiplexing
- Remote compressor

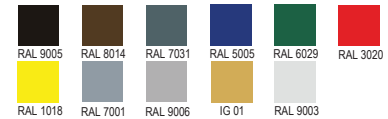
Plastic sides colors



Plastic price stripes colors



Metal elements colors



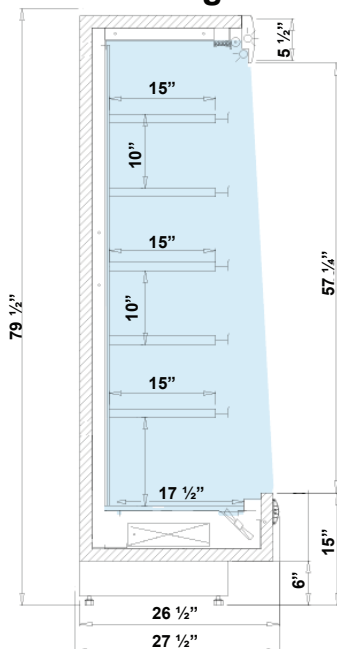
Plastic bumpers colors



Top panels colors



Technical Drawings



Dimensions

Model	Dimension W x D x H	Weight (lbs / kg)
10M3	39 1/2" x 27 1/2" x 79 1/2"	298 / 135
10M4	51 1/2" x 27 1/2" x 79 1/2"	364 / 165
10M5	63 1/2" x 27 1/2" x 79 1/2"	430 / 195
10M6	75 1/2" x 27 1/2" x 79 1/2"	518 / 235
10M8	100" x 27 1/2" x 79 1/2"	606 / 275

*** Endless lineup, any length available**

Voltage

- 115V, 1ph, 60 Hz, 5A, max. fuse: 15A

* Specifications are subject to change without notice.

**All measurements are approximates.

***All equipment designed to operate in controlled environment below 75°F (+24°C) temperature and HR 55% relative humidity.