

10MPS 4 Shelves, Self Contained

Painted Steel Finish

29" DEEP SLIM LINE
MULTI-DECK
OPEN MERCHANDISERS



10MPS4

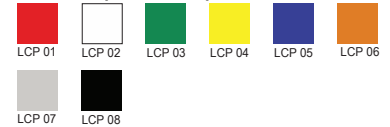
Standard features

- Self contained
- Dynamic cooling
- LED lights on all shelves
- Price strips - color selection available
- Painted steel finish
- Night curtain
- Display shelves (height/angle adjustable)
- Adjustable legs
- Electronic programmable thermostat
- Digital temperature display
- Auto defrost

Options

- Stainless steel finish available
- Stainless steel butcher hangers
- Fruit and vegetable baskets in angled position
- Goods securing fence
- Possibility of multiplexing
- Remote compressor

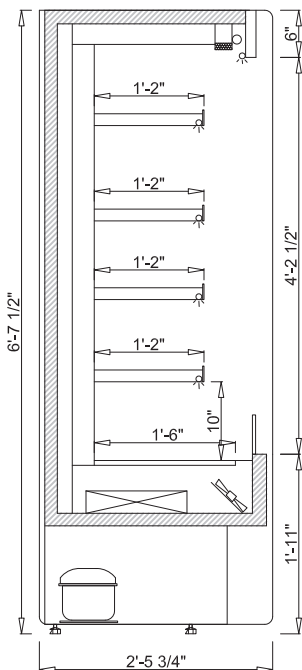
Plastic price stripes colors



Metal elements colors



Technical Drawings



Dimensions

Model	Dimension W x D x H	Weight (lbs / kg)
10MPS3	39 1/2" x 29 3/4" x 82"	331 / 150
10MPS4	51 1/2" x 29 3/4" x 82"	397 / 180
10MPS5	63 1/2" x 29 3/4" x 82"	463 / 210
10MPS6	75 1/2" x 29 3/4" x 82"	551 / 250
10MPS8	100" x 29 3/4" x 82"	639 / 290

*** Endless lineup, any length available**

Voltage

- 10MPS3,4 : 115V, 1ph, 60 Hz, 15A, max. fuse: 20A
- 10MPS5,6,8 : 115V/ 220V, 1ph, 60 Hz, 11A, max. fuse: 15A

* Specifications are subject to change without notice.

**All measurements are approximates.

***All equipment designed to operate in controlled environment below 75°F (+24°C) temperature and HR 55% relative humidity.