

B2SCD

Straight Glass, Self Contained

REFRIGERATED
DELI/MEAT/CHEESE/SALAD
CASE



B2SCD6

Standard Features

- Straight front glass
- Granite work counter
- Interior LED lighting
- Additional refrigerated under-shelf storage cabinet
- ABS sides - (off-white)
- Painted white front and base
- Front bumper - different colours available
- Digital temperature display
- Gravity cooling system
- Automatic defrost cycle system
- Automatic condensation disposal
- Front glass defogging system
- Flat inserts

Options

- Remote compressor
- Corner units available
- All stainless steel base and front
- Possibility of multiplexing merchandiser
- Self-served units upon request
- Variety of finished colours
- Steps insert

Granite colours



Aluminum profile colours



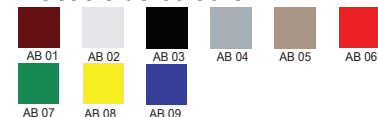
Metal element colours



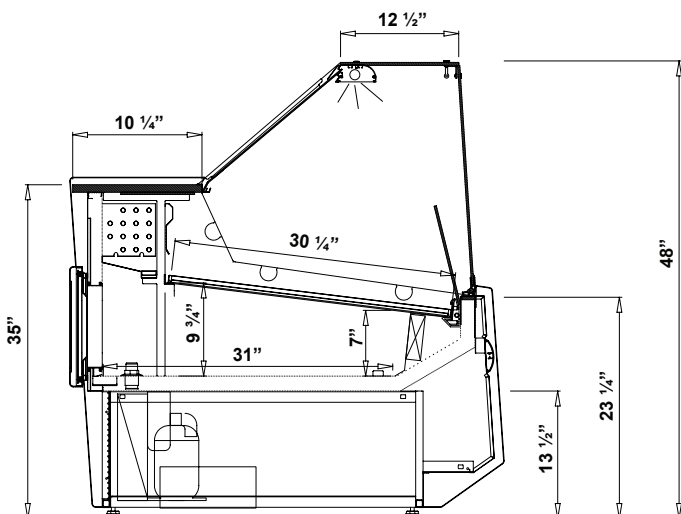
Plastic bumper colours



Plastic side colours



Technical Drawing



Dimensions

Model	Dimension W x D x H	Weight (lbs / kg)
B2SCD3	41 1/4" x 46 1/2" x 48"	309 / 140
B2SCD4	52 1/2" x 46 1/2" x 48"	353 / 160
B2SCD5	64 3/4" x 46 1/2" x 48"	419 / 190
B2SCD6	77 1/4" x 46 1/2" x 48"	474 / 215
B2SCD8	101 1/2" x 46 1/2" x 48"	639 / 290
B2SCD10	126 1/2" x 46 1/2" x 48"	838 / 380
B2SCD12	150 3/4" x 46 1/2" x 48"	

*Customizable options available

* Multiple sizes available

Voltage

- B2SCD3,4 : 115V | 1ph | 60 Hz | 6A, max. fuse: 15A
- B2SCD5~8 : 115V | 1ph | 60 Hz | 8A, max. fuse: 15A

* Specifications are subject to change without notice.

**All measurements are approximates.

***All equipment are designed to operate in a controlled environment below 75°F (+24°C) temperature and HR 55% relative humidity.