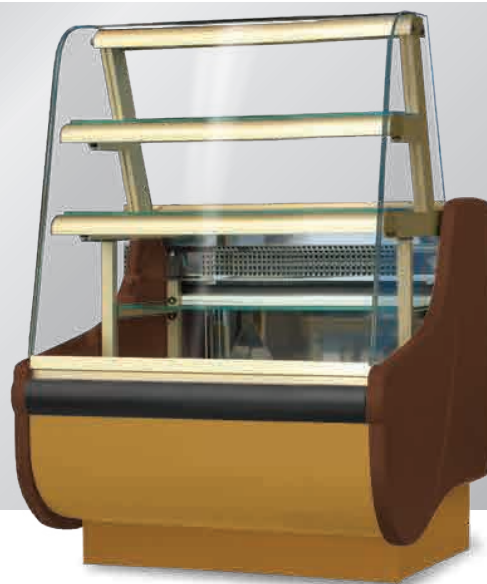


BEPCP

Curved Glass , Self Contained

REFRIGERATED & DRY COMBINATION PASTRY CASE



BEPCP3

Standard Features

- Internal cooling aggregate
- Ecological polyurethane foam insulation
- Bumper - different colors available
- Grey granite worktop (thickness 20 mm)
- Internal frame made of aluminum profiles
- 3 glass shelves (two top shelves - ambient)
- Shelves illumination - LED light
- Curved front glass openable
- Front glass warm air blast
- Night blinds made of plexi glass
- Device leveling legs
- Automatic defrost
- Automatic condenser evaporation
- Electronic temperature controller with digital display

Options

- Remote compressor
- Other colors available
- Internal frame painted silver or gold

Metal elements colors



Granite colors



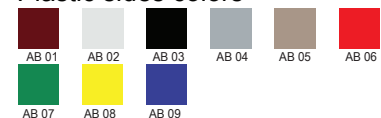
Aluminum profiles colors



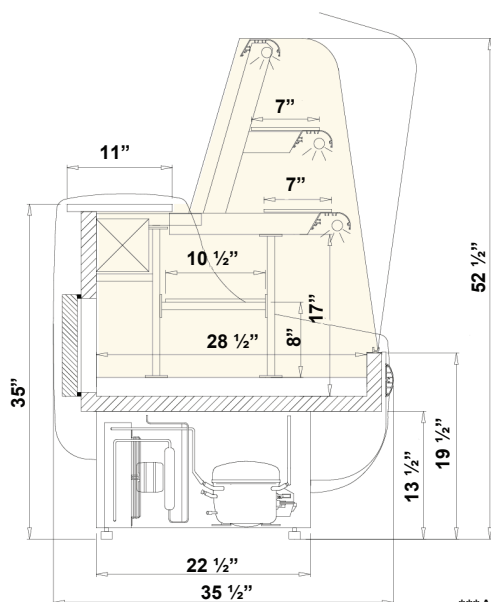
Plastic bumpers colors



Aluminum sides colors



Technical Drawing



Dimensions

Model	Dimension W x D x H	Weight (lbs / kg)
BEPCP3	39" x 35 1/2" x 52 1/2"	309 / 140
BEPCP4	51 3/4" x 35 1/2" x 52 1/2"	375 / 170
BEPCP5	63 1/4" x 35 1/2" x 52 1/2"	441 / 200
BEPCP6	74 3/4" x 35 1/2" x 52 1/2"	507 / 230

Voltage

- BEPCP3 : 115V / 1ph / 60 Hz / 6A, max. fuse: 15A
- BEPCP4,5,6 : 115V / 1ph / 60 Hz / 8A, max. fuse: 15A

* Specifications are subject to change without notice.

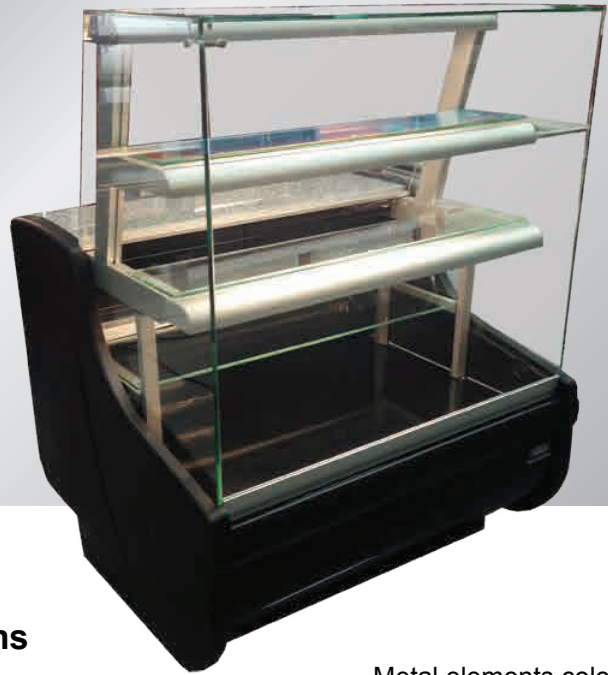
**All measurements are approximates.

***All equipment designed to operate in controlled environment below 75°F (+24°C) temperature and HR 55% relative humidity.

BEPCP

Straight glass, Self Contained

**REFRIGERATED & DRY
COMBINATION
PASTRY CASE**



BEPCP3

Standard Features

- Straight glass
- Internal cooling aggregate
- Ecological polyurethane foam insulation
- Bumper - different colors available
- Grey granite worktop (thickness 20 mm)
- Internal frame made of aluminum profiles
- 3 glass shelves (two top shelves - ambient)
- Shelves illumination - LED light
- Front glass warm air blast
- Night blinds made of plexi glass
- Device leveling legs
- Automatic defrost
- Automatic condenser evaporation
- Electronic temperature controller with digital display

Options

- Remote compressor
- Other colors available
- Internal frame painted silver or gold

Granite colors



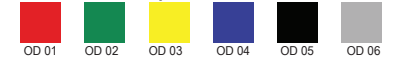
Aluminum profiles colors



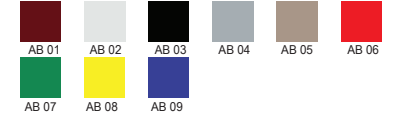
Metal elements colors



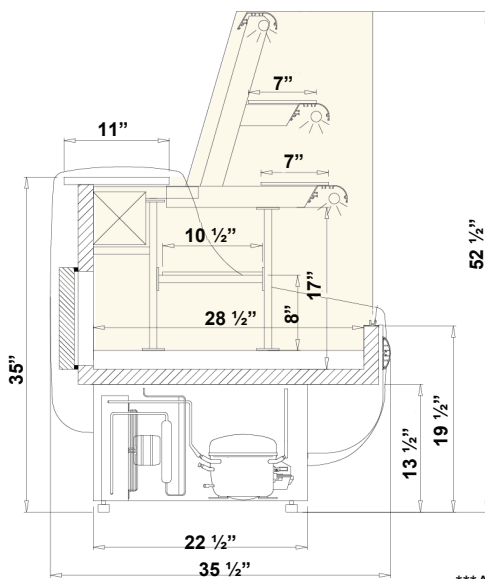
Plastic bumpers colors



Plastic sides colors



Technical Drawing



Dimensions

Model	Dimension W x D x H	Weight (lbs / kg)
BEPCP3	39" x 35 1/2" x 52 1/2"	309 / 140
BEPCP4	51 3/4" x 35 1/2" x 52 1/2"	375 / 170
BEPCP5	63 1/4" x 35 1/2" x 52 1/2"	441 / 200
BEPCP6	74 3/4" x 35 1/2" x 52 1/2"	507 / 230

Voltage

- BEPCP3 : 115V / 1ph / 60 Hz / 6A, max. fuse: 15A
- BEPCP4,5,6 : 115V / 1ph / 60 Hz / 8A, max. fuse: 15A

* Specifications are subject to change without notice.

**All measurements are approximates.

***All equipment designed to operate in controlled environment below 75°F (+24°C) temperature and HR 55% relative humidity.