

BLMD

Self-served, Self Contained

REFRIGERATED
DELI/MEAT/CHEESE/SALAD
LOW GLASS MERCHANDISER



BLMD4

Standard Features

- Self served low profile open merchandiser
- Granite work counter
- Additional refrigerated under-shelf storage cabinet
- ABS sides - (off-white)
- Painted white front and base
- Front bumper - different colours available
- Digital temperature display
- Gravity cooling system
- Automatic defrost cycle
- Automatic condensation disposal
- Front glass defogging system
- Flat inserts

Options

- Remote compressor
- Corner units available
- All stainless steel base and front
- Possibility of multiplexing merchandiser
- Interior LED lighting
- Variety of finished colours
- Steps insert

Granite colours



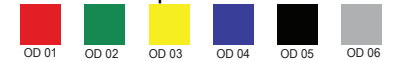
Aluminum profile colours



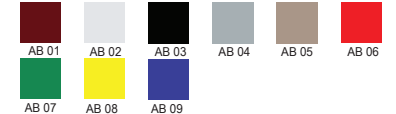
Metal element colours



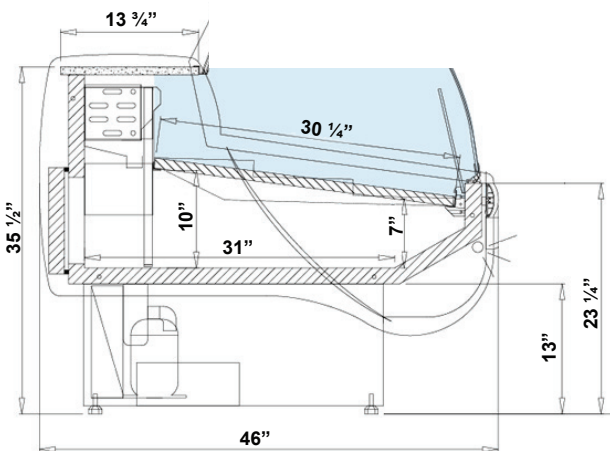
Plastic bumper colours



Plastic side colours



Technical Drawing



Dimensions

Model	Dimension W x D x H	Weight (lbs / kg)
BLMD3	41" x 46" x 35 3/4"	290 / 132
BLMD4	54" x 46" x 35 3/4"	350 / 159
BLMD5	65 3/4" x 46" x 35 3/4"	400 / 181
BLMD6	78 3/4" x 46" x 35 3/4"	450 / 204
BLMD8	100" x 46" x 35 3/4"	480 / 218
BLMD10	128 1/2" x 46" x 35 3/4"	
BLMD12	150 3/4" x 46" x 35 3/4"	

** Endless lineup, any length available*

Voltage

- BLM3,4 : 115V | 1ph | 60 Hz | 6A, max. fuse: 15A
- BLM5~8 : 115V | 1ph | 60 Hz | 8A, max. fuse: 15A
- BLM10,12 : 2X 115V | 1ph | 60 Hz | 8A, max. fuse: 15A

* Specifications are subject to change without notice.

**All measurements are approximates.

***All equipment are designed to operate in a controlled environment below 75°F (+24°C) temperature and HR 55% relative humidity.