

### COCJ

Wood Finish W/ Front Glass

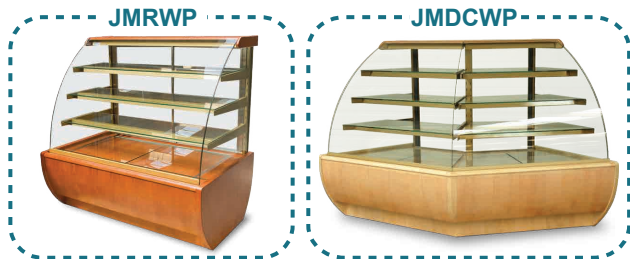
**CASH COUNTER  
MATCHING WITH  
JMRWP MODEL**



COCJ41

### Standard Features

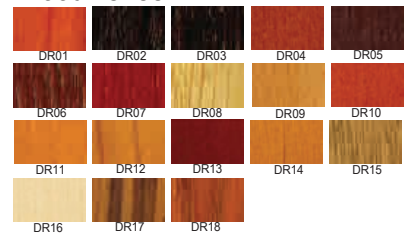
- Cherry finish wooden case
- Matching front with JMRWP/JMDWP model bakery display cases
- Gold- painted internal frame
- Curved movable front glass
- Top LED lighting system
- Device leveling legs



### Options

- Variety of wood finish
- Internal frame painted silver or gold
- Wood, stainless steel or granite top
- Custom made upon customers request

#### Wood veneer



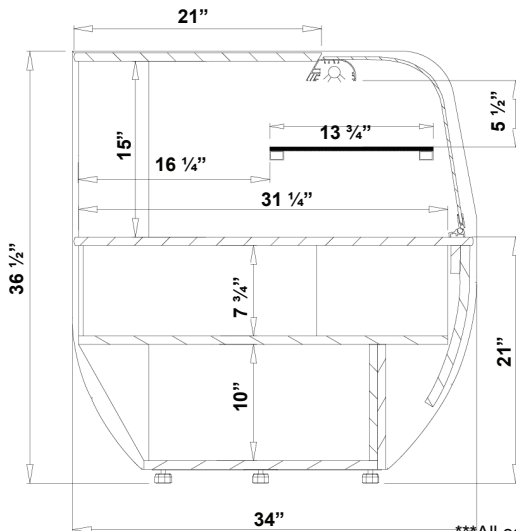
#### Aluminum profiles colors



### Dimensions

Model	Dimension W x D x H	Weight (lbs / kg)
COCJ31	31" x 34" x 36 1/2"	242 / 110
COCJ41	41 3/4" x 34" x 36 1/2"	264 / 120
COCJ51	51 1/4" x 34" x 36 1/2"	286 / 130
COCJ67	67" x 34" x 36 1/2"	352 / 160

### Technical Drawing



\*\*\*All equipment designed to operate in controlled environment below 75°F (+24°C) temperature and HR 55% relative humidity.

### Voltage

- 115V / 1ph / 60 Hz / 1A, max. fuse: 15A

\* Specifications are subject to change without notice.

\*\*All measurements are approximates.