

### COCJ90-OUT

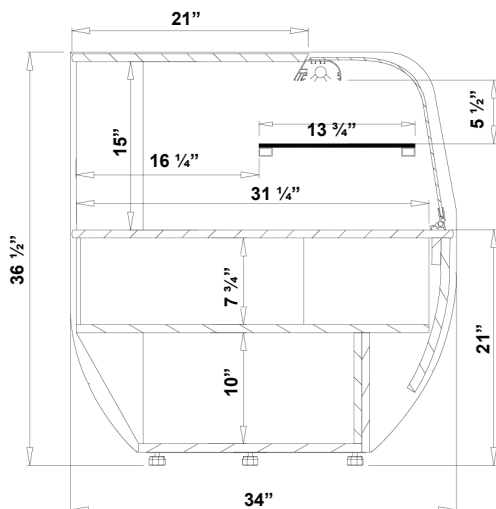
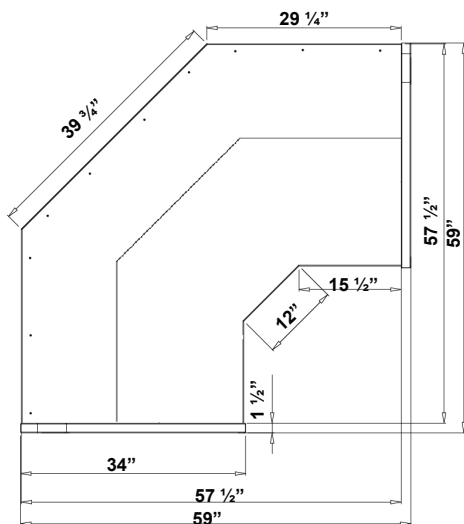
Wood Finish W/ Front Glass

CASH COUNTER OUTSIDE  
CORNER UNIT MATCHING  
WITH JMRWP MODEL



COCJ90-OUT

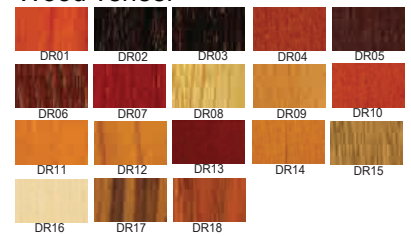
### Technical Drawings



### Standard Features

- Cherry finish wooden case
- Matching front with JMRWP/JMDWP model bakery display cases
- Gold- painted internal frame
- Curved movable front glass
- Top LED lighting system
- Device leveling legs

### Wood veneer



### Aluminum profiles colors



### Options

- Variety of wood finish
- Internal frame painted silver or gold
- Wood, stainless steel or granite top
- Custom made upon customers request



### Dimensions

Model	Dimension W x D x H	Weight (lbs / kg)
COCJ90-OUT	59" x 59" x 36 1/2"	-

### Voltage

- 115V / 1ph / 60 Hz / 3A, max. fuse: 15A

\* Specifications are subject to change without notice.

\*\*All measurements are approximates.

\*\*\*All equipment designed to operate in controlled environment below 75°F (+24°C) temperature and HR 55% relative humidity.