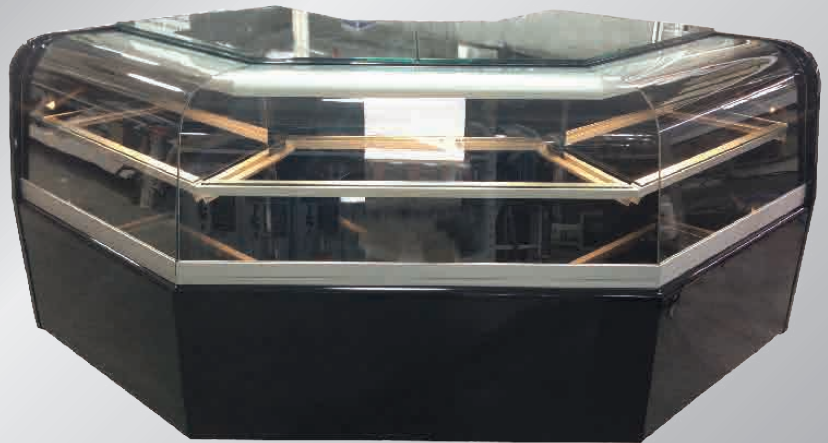


### COCJT90-OUT

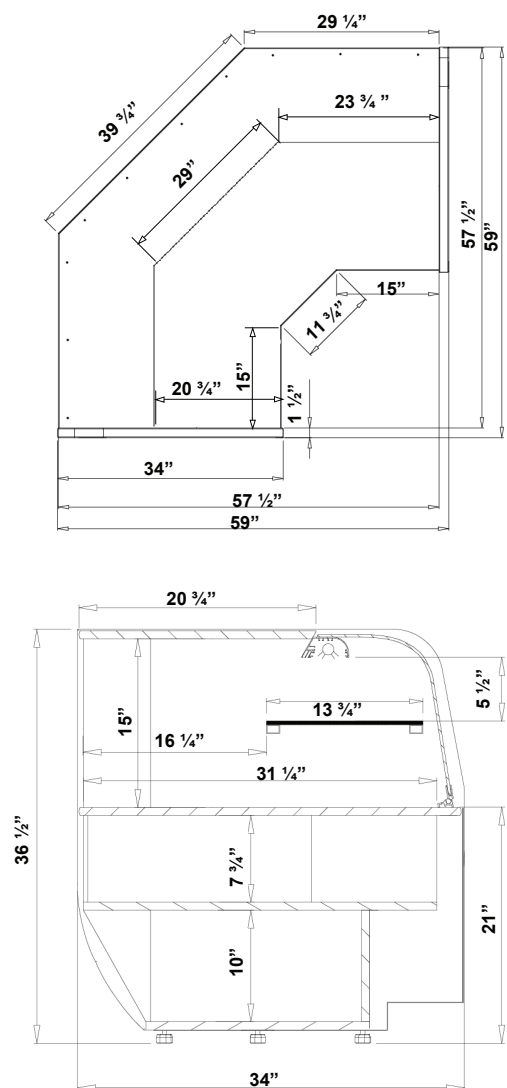
Trend Counter W/ Front Glass

CASH COUNTER OUTSIDE CORNER UNIT MATCHING WITH JM RTP MODEL



COCJT90-OUT

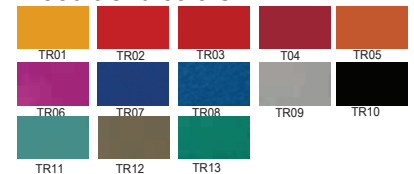
### Technical Drawings



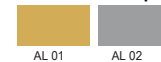
### Standard Features

- Painted enamel finish
- Matching front with JM RTP/JMDTP model bakery display cases
- Gold- painted internal frame
- Curved movable front glass
- Top LED lighting system
- Device leveling legs

### Wood trend colors



### Aluminum profiles colors



### Options

- Other colors available
- Internal frame painted silver or gold
- Wood, stainless steel or granite top
- Custom made upon customers request



### Dimensions

Model	Dimension W x D x H	Weight (lbs / kg)
COCJT90-OUT	59" x 59" x 36 1/2"	-

### Voltage

- 115V / 1ph / 60 Hz / 3A, max. fuse: 15A

\* Specifications are subject to change without notice.

\*\*All measurements are approximates.

\*\*\*All equipment designed to operate in controlled environment below 75°F (+24°C) temperature and HR 55% relative humidity.