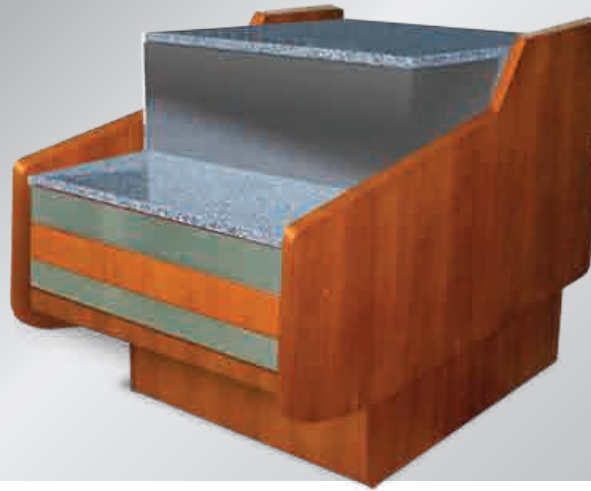


CHECK OUT COUNTERS

COCSW

Wood Finish

CASH COUNTER
MATCHING
WITH SANWD MODEL

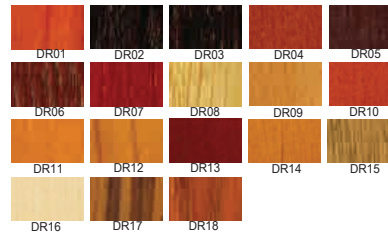


COCSW31

Standard Features

- Grey granite worktop (thickness 3/4")
- Matching front with SANWD model refrigerated display cases
- Wooden external housing - different colors available
- Device leveling legs
- Movable drawer
- Socket

Wood veneer



Granite colors



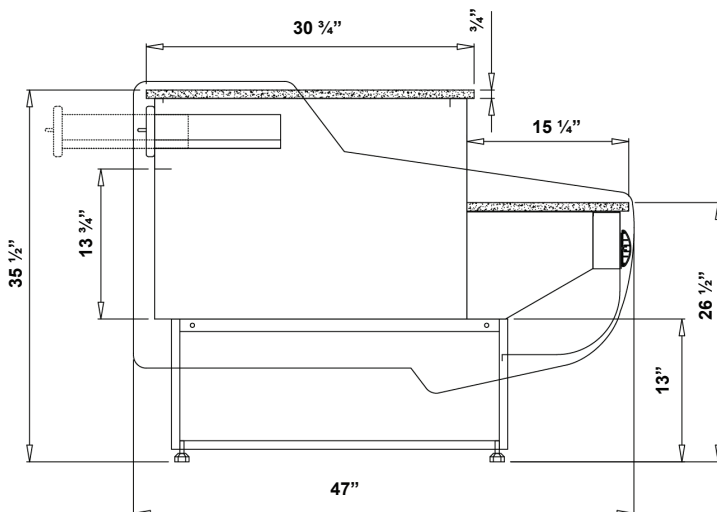
Aluminum profiles colors



Options

- Other colors available
- Custom made upon customers request

Technical Drawing



Dimensions

Model	Dimension W x D x H	Weight (lbs / kg)
COCSW19	19" x 47" x 35 1/2"	116.8 / 53
COCSW23	23" x 47" x 35 1/2"	149.9 / 68
COCSW27	27" x 47" x 35 1/2"	176.4 / 80
COCSW31	31" x 47" x 35 1/2"	209.4 / 95
COCSW35	35" x 47" x 35 1/2"	238 / 108
COCSW38	38 3/4" x 47" x 35 1/2"	269 / 122
COCSW42	42 3/4" x 47" x 35 1/2"	297.6 / 135
COCSW46	46 3/4" x 47" x 35 1/2"	330.7 / 150
COCSW50	50 1/2" x 47" x 35 1/2"	359.4 / 163
COCSW54	54 1/2" x 47" x 35 1/2"	385.8 / 175
COCSW58	58 1/2" x 47" x 35 1/2"	418.9 / 190
COCSW62	62 1/2" x 47" x 35 1/2"	447.5 / 203

Voltage

• N/A

* Specifications are subject to change without notice.

**All measurements are approximates.

***All equipment designed to operate in controlled environment below 75°F (+24°C) temperature and HR 55% relative humidity.

www.igloorefrigeration.com