

### HBTD Heated Unit

### DELUXE HOT FOOD SHOW CASE W/ CURVED FRONT GLASS

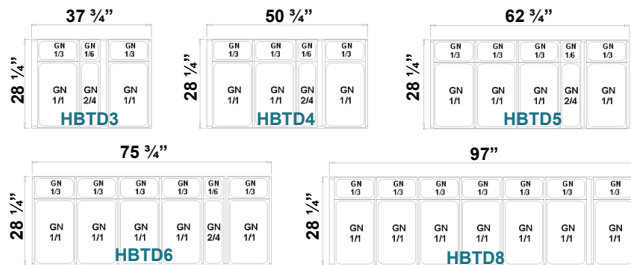


HBTD4

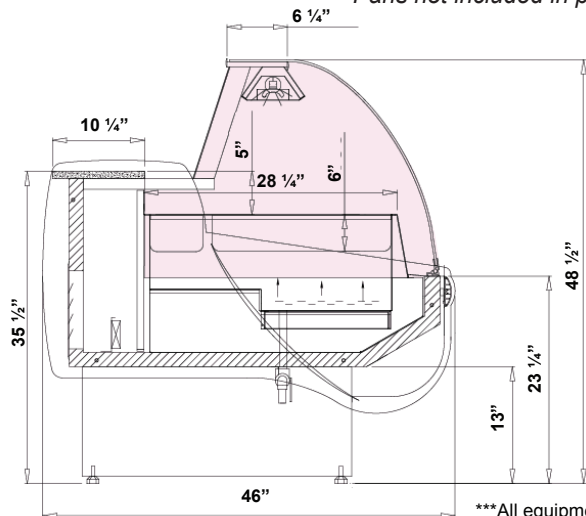
#### Standard Features

- External housing made of white coated steel (stuff side)
- Ecological polyurethane foam insulation
- Exposition area made of acid-resistant stainless steel, prepared for GN containers
- Grey granite worktop (thickness 20 mm)
- Curved front glass openable
- Top lamp with ceramic heaters and oven lightbulbs
- Device leveling legs
- Water level sensor
- Temperature regulator

#### Technical Drawings



\*Pans not included in price



\*\*\*All equipment designed to operate in controlled environment below 75°F (+24°C) temperature and HR 55% relative humidity.

#### Options

- Other colors available
- Internal frame painted silver or gold

#### Granite colors



#### Aluminum profiles colors



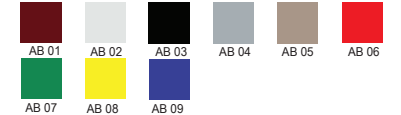
#### Metal elements colors



#### Plastic bumpers colors



#### Plastic sides colors



#### Dimensions

Model	Dimension W x D x H	Weight (lbs / kg)
HBTD3	41" x 46" x 48 1/2"	324.1 / 147
HBTD4	54" x 46" x 48 1/2"	412.3 / 187
HBTD5	65 3/4" x 46" x 48 1/2"	500.5 / 227
HBTD6	78 3/4" x 46" x 48 1/2"	617.3 / 280
HBTD8	100" x 46" x 48 1/2"	736.3 / 334

#### Voltage

- HBTD3 : 115V,220V / 1ph / 60 Hz / 10A, max. fuse: 15A
- HBTD4 : 115V,220V / 1ph / 60 Hz / 13A, max. fuse: 15A
- HBTD5 : 115V,220V / 1ph / 60 Hz / 17A, max. fuse: 25A
- HBTD6 : 115V,220V / 1ph / 60 Hz / 20A, max. fuse: 25A
- HBTD8 : 115V,220V / 1ph / 60 Hz / 25A, max. fuse: 30A

\* Specifications are subject to change without notice.

\*\*All measurements are approximates.