

J2SCDP Straight glass

**NON-REFRIGERATED
PASTRY CASE
WITH SELF CLOSING SLIDING
BACK DOORS**



J2SCDP4

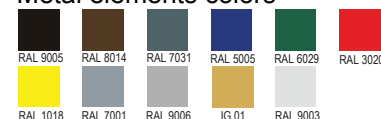
Standard Features

- Straight front glass
- Interior stainless steel finish
- Adjustable and removable wire shelves
- LED lighting for each shelf
- Stainless steel top counter
- Back self-closing doors on stainless steel rails
- 2 levels of white plastified reticulated shelves
- Device leveling legs

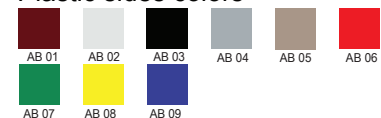
Options

- Other colors available
- Reticulated chromium coated shelf

Metal elements colors



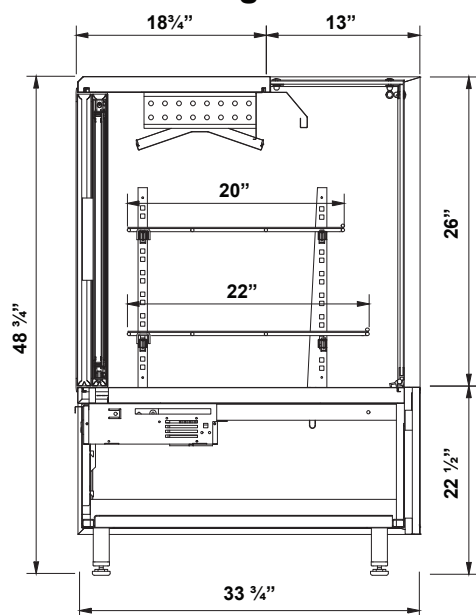
Plastic sides colors



Aluminum profiles colors



Technical Drawing



***All equipment designed to operate in controlled environment below 75°F (+24°C) temperature and HR 55% relative humidity.

Dimensions

Model	Dimension W x D x H	Weight (lbs / kg)
J2SCDP4	50 3/4" x 33 3/4" x 48 3/4"	-
J2SCDP6	75" x 33 3/4" x 48 3/4"	-
J2SCDP8	99 1/4" x 33 3/4" x 48 3/4"	-

Voltage

- JSCDP4,6 : 115V / 1ph / 60 Hz / 2A, max. fuse: 15A
- JSCDP8 : 115V / 1ph / 60 Hz / 3A, max. fuse: 15A

* Specifications are subject to change without notice.

**All measurements are approximates.