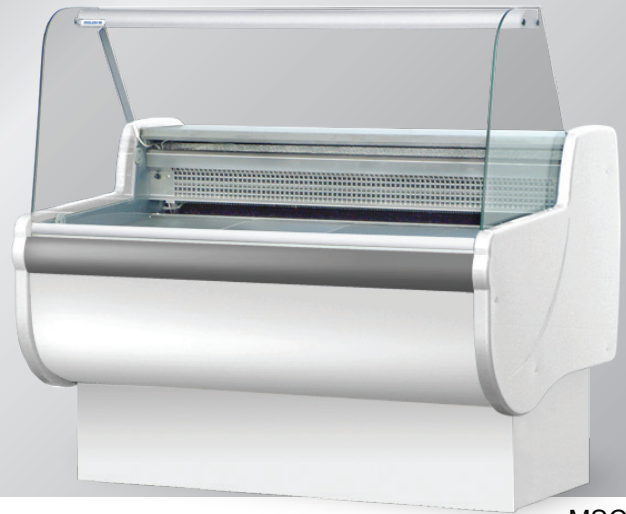


MSCD

Curved Glass, Self Contained

SLIM LINE REFRIGERATED DELI/MEAT/CHEESE/SALAD CASE



MSCD4

Standard Features

- Front glass defogging system
- Base and front panel made of white coated steel
- Stainless steel flat plates or steps, white wire shelves
- Refrigerated under shelves storage
- Lamp with LED light
- Digital temperature display
- Self contained
- Gravity cooling
- Temperature range: 0 °C and up
- Automatic defrost cycle
- Automatic condensation disposal
- Front bumper - different colours available
- Flat inserts

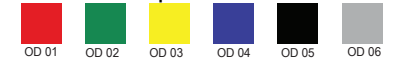
Options

- Variety of finished colours
- Remote compressor
- Self served low profile open merchandiser
- Steps insert

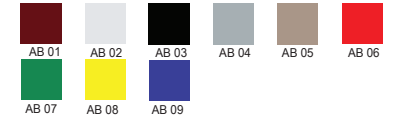
Metal element colours



Plastic bumper colours



Plastic side colours



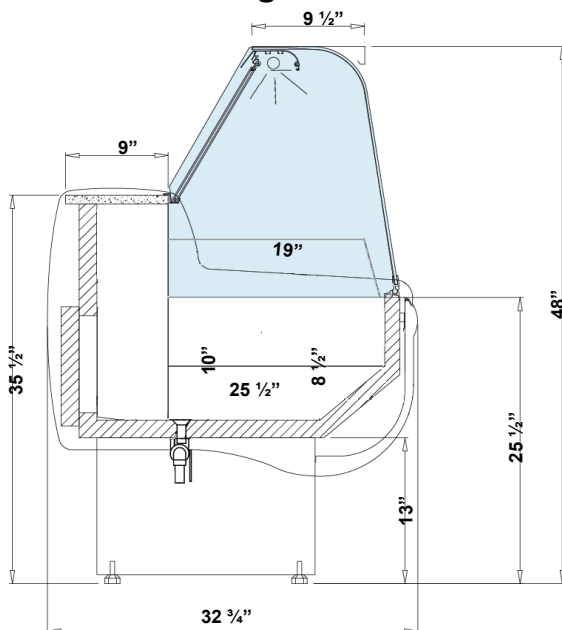
Granite colours



Aluminum profile colours



Technical Drawing



***All equipment are designed to operate in a controlled environment below 75°F (+24°C) temperature and HR 55% relative humidity.

Dimensions

Model	Dimension W x D x H	Weight (lbs / kg)
MSCD3	42 1/4" x 32 3/4" x 48"	243 / 110
MSCD4	51 1/2" x 32 3/4" x 48"	287 / 130
MSCD5	59 1/2" x 32 3/4" x 48"	331 / 150
MSCD6	67 1/2" x 32 3/4" x 48"	375 / 170
MSCD7	80 1/2" x 32 3/4" x 48"	419 / 190
MSCD8	99 1/4" x 32 3/4" x 48"	485 / 220

Voltage

- 115V | 1ph | 60 Hz | 8A, max. fuse: 15A

* Specifications are subject to change without notice.

**All measurements are approximates.