

### SAND90-OUT

Curved Glass, Self Contained

**OUTWARD REFRIGERATED CORNER  
DELI/MEAT/CHEESE/SALAD  
CASE MATCHING W/ SAND**



SAND90-OUT

#### Standard Features

- Internal cooling aggregate
- Static cooling
- Exterior made of white coated steel (from the staff side)
- Base and front panel made of white coated steel
- Ecological polyurethane foam insulation
- Display area made of stainless steel
- Stainless steel storage chamber
- Storage chamber back doors - hinged
- Grey granite worktop (thickness 20 mm)
- Curved front glass - telescopic lifting system
- Night screens made of plexi glass
- Lamp with LED light
- Device leveling legs
- Automatic defrost system
- Condenser outlet to container

#### Options

- Remote compressor
- All stainless-steel base and front
- Possibility of multiplexing
- Wide variety of colours

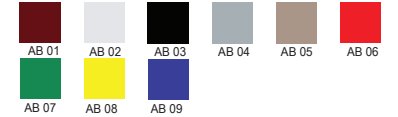
#### Metal element colours



#### Plastic bumper colours



#### Plastic side colours



#### Granite colours



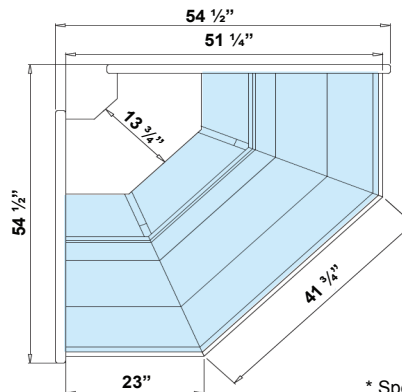
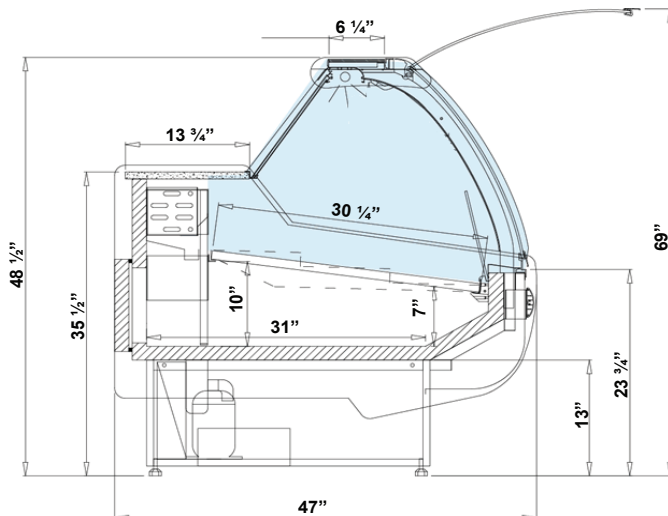
#### Aluminum profile colours



#### Dimensions

Model	Dimension W x D x H	Weight (lbs / kg)
SAND90-OUT	54 1/2" x 54 1/2" x 48 1/2"	342 / 155

#### Technical Drawings



#### Voltage

- 115V | 1ph | 60 Hz | 8A, max. fuse: 15A

\* Specifications are subject to change without notice.

\*\*All measurements are approximates.

\*\*\*All equipment are designed to operate in a controlled environment below 75°F (+24°C) temperature and HR 55% relative humidity.