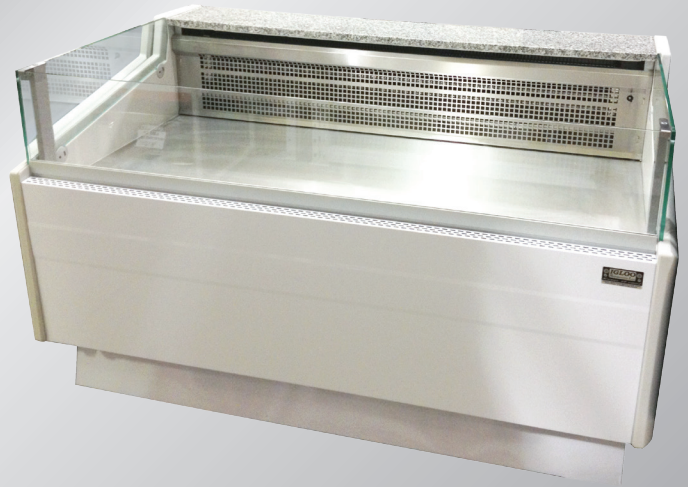


# SUMLD

Self-served, Self Contained

REFRIGERATED  
DELI/MEAT/CHEESE/SALAD  
LOW GLASS MERCHANDISER



SUMLD4

### Standard features

- Self-contained
- Self-served
- Granite worktop
- Additional refrigerated under-shelf storage cabinet
- Insulated ABS side panels
- Display area (stainless steel)
- Digital temperature display
- Gravity cooling system
- Automatic defrost cycle
- Automatic condensation disposal
- Device leveling legs
- Automatic defrost system
- Flat inserts

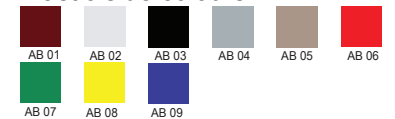
### Options

- Remote compressor
- Stainless steel base and front
- Possibility of multiplexing merchandiser
- Variety of finished colours
- Available for wider granite worktop
- Steps insert

#### Metal element colours



#### Plastic side colours



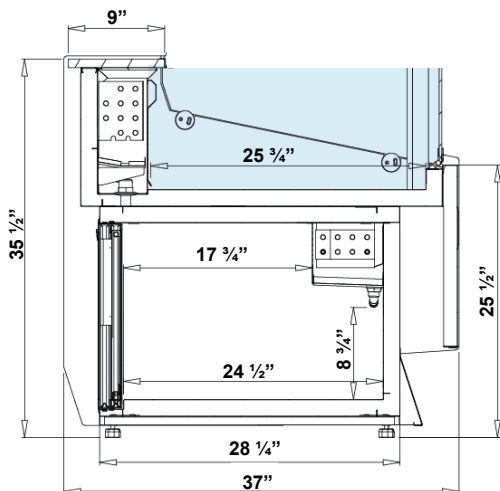
#### Granite colours



#### Aluminum profile colours



### Technical Drawings



### Dimensions

Model	Dimension W x D x H	Weight (lbs / kg)
SUMLD3	41 3/4" x 37" x 36"	353 / 160
SUMLD5	59" x 37" x 36"	454 / 206
SUMLD6	80 1/2" x 37" x 36"	569 / 258
SUMLD8	99 1/4" x 37" x 36"	706 / 320

\* Customizable options available

\* Multiple sizes available

### Voltage

- SUMLD3,5,6 : 115V | 1ph | 60 Hz | 8A, max. fuse: 15A
- SUMLD8 : 115V | 1ph | 60 Hz | 10A, max. fuse: 15A

\* Specifications are subject to change without notice.

\*\*All measurements are approximates.

\*\*\*All equipment are designed to operate in a controlled environment below 75°F (+24°C) temperature and HR 55% relative humidity.