



# IRSCFG

## ISLAND FRIDGE

### Self Contained Island Fridge Flat Glass

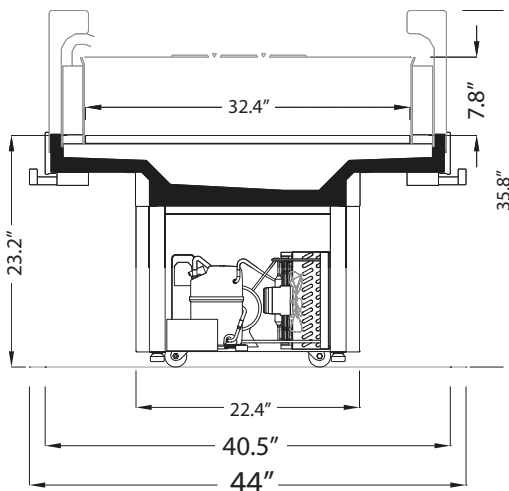
#### Standard features

- Self Contained
- Automatic Defrost
- Thermostat Electronic Control
- Wellington ERC2 Electronic Fan Motor
- Electrostatic Powdered Paint For Both Interior-Exterior (choice of colors Black or White)
- Stainless Steel Bumper Profile

#### Dimensions

Model	IRSCFG
Length (inches)	41"
Width (inches)	44"
Amperage	9A
Power	115V 60HZ
BTU/h	2696
Evaporate	-8C

#### Technical Drawings



\* Customizable options available; \* Multiple shelves available; \* All measurements are approximates; \* Specifications are subject to change without notice; \* All equipment are designed to operate in a controlled environment below 75°F (+24°C) temperature and HR 55% relative humidity;