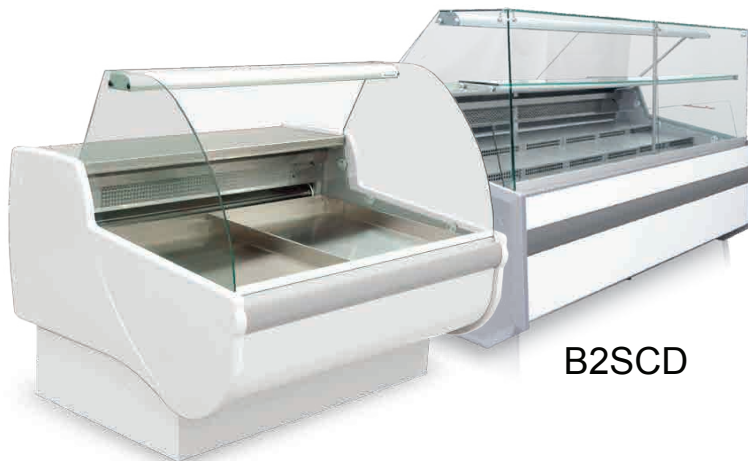




# Instruction Manual

## Meat/Deli/Fish Cases

Models: BSCD series



BSCFID

B2SCD



BLMD



BSCD

124 Norfinch Dr. Toronto, ON. M3N 1X1  
Tel : 416-663-3051 Fax : 416-663-5793  
Toll Free : 1-888-408-8819

 **IGLOO**  
REFRIGERATION LTD.

## Contents

1 UNLOADING .....	3
2 PROPERTIES OF THE UNIT.....	3
2.1 Purpose .....	3
2.2 Description of the unit.....	3
2.3 Technical data.....	5
3. PREPARING THE DEVICE FOR START UP .....	5
3.1 Installation requirements .....	5
3.2 Unit Location .....	6
3.3 Connection and start-up.....	6
4. UNIT START UP .....	9
4.1 Temperature regulation .....	9
5. MAINTENANCE .....	11
5.1 Cleaning and maintenance .....	13
6. SERVICE.....	15
6.1 Faults identification and repair.....	15
6.2 Service.....	16

## List of Figures

Figure 1 BSCD Series .....	4
Figure 2 Leveling legs.....	6
Figure 3 Caster wheels.....	6
Figure 4 Assembly of glass elements and aluminum lamp .....	7
Figure 5 Assembly of front screens.....	8
Figure 6 Assembly/disassembly of night screens .....	8
Figure 7 Overflow (version with evaporator) .....	8
Figure 8 Overflow (version with evaporator) .....	8
Figure 9 “Carel” thermostat control panel .....	10
Figure 11 Disassembly of the front glass.....	14
Figure 10 Temperature sensor inside the unit.....	14
Figure 12 Cleaning the condenser .....	14

## List of Tables

Table 1 Technical data .....	5
Table 2 Table of alarms and signals .....	11
Table 3 Table of easy compact parameters.....	12

## 1 UNLOADING

The unit should be transported in vertical position and properly secured and packed.

## 2 PROPERTIES OF THE UNIT

### 2.1. Purpose

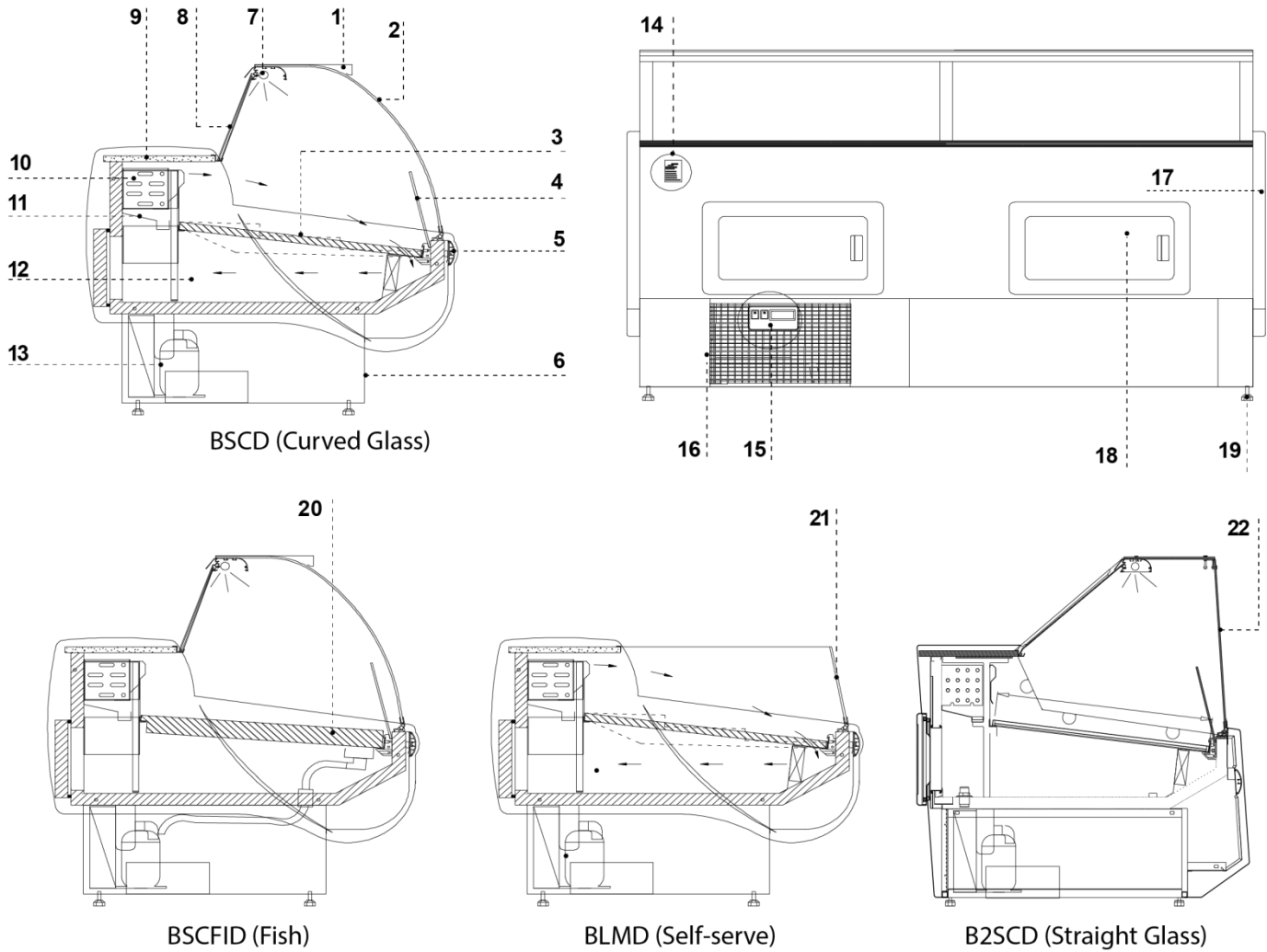
“BSCD” series is a universal cooling device used for displaying a wide assortment of grocery products in singular packages, cooled to storage temperature. Apart from general display cases, we also offer display cases for displaying fresh fish (“BSCFID” type). Our display cases ensure universal and efficient display area for all types of commercial outlet. Temperature inside the display cabinet equals +1°C/+4°C with ambient temperature of +15°C/+25°C and relative air humidity up to 55%, depending on the environment and the location of the unit.

### 2.2. Description of the unit

“BSCD” series display cases have static cooling. The display cases are equipped with automatic defrosting and automatic condensation evaporation. The units are adjusted and can be connected in sequence in the version with self-contained and remote compressors. “BSCD” series display cases are equipped with a storage chamber. “BSCD” series display cases are available in stationary and movable version. Our equipment is manufactured in accordance of modern technologies and has all certificates required by law.

***The description in this box signifies important information for user security and for proper operation of the device.***

**Figure 1 BSCD Series**



- 1 – Scale stands (optional)
- 2 – Curved front glass
- 3 – Flat or three-level steps display shelf
- 4 – Front screen
- 5 – Front bumper
- 6 – Base of the unit
- 7 – LED lamp
- 8 – Plexiglass night screens
- 9 – Granite counter
- 10 – Evaporator coil
- 11 – Rail (condensate outflow for evaporator defrosting)
- 12 – Storage chamber
- 13 – Compressor
- 14 – Serial plate
- 15 – Control panel
- 16 – Condenser cover (DO NOT block the air louver)
- 17 – ABS sides
- 18 – Storage chamber doors
- 19 – Leveling legs
- 20 – Fish tank (Fish unit)
- 21 – Low front glass (Self-serve unit)
- 22 – Straight front glass

## 2.3. Technical data

Table 1 Technical data

Model	Voltage [V/HZ/PH]	Rated Current [A]	Max shelf load [lbs/kg]	Weight [lbs/kg]
BSCD3 Series	115/60/1	6 (max.fuse:15)	110/50	309/140
BSCD4 Series	115/60/1	6 (max.fuse:15)	110/50	353/160
BSCD5 Series	115/60/	8 (max.fuse:15)	110/50	419/190
BSCD6 Series	115/60/1	8 (max.fuse:15)	110/50	474/215
BSDC8 Series	115/60/1	8 (max.fuse:15)	110/50	639/290
BSCD12 Series	115/60/1	12 (max.fuse:15)	110/50	-
BSCD90-OUT*	115/60/1	6 (max.fuse:15)	110/50	331/150
BSCD90-IN*	115/60/1	6 (max.fuse:15)	110/50	386/175

\* Outside and inside corner display case

## 3. PREPARING THE DEVICE FOR START UP

***The unit must be properly installed and located in accordance with the installation instructions before it is used.***

### 3.1. Installation requirements

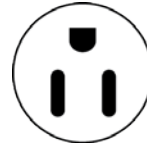
- Always use a dedicated circuit with the amperage stated on the unit.
- Plug into an outlet designed for the plug.
- Do not overload the circuit.
- Do not use extension cords.
- Never use adapters.
- Never plug in more than one unit per electric circuit.
- If in doubt, call an electrician.

***IGLOO will not warranty any equipment that is connected to an extension cord or an adapter plug.***

***The equipment may be turned on after confirmation of the fire protection efficiency with results of measures performed according to binding regulations!***

■ **NEMA Plugs**

IGLOO refrigeration uses this type of plug. If you do not have the right outlet have a certified electrician install the correct power source.



115/60/1  
NEMA-5-15R

### 3.2. Unit Location

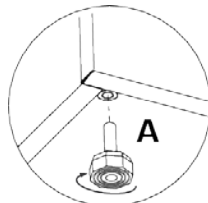
- Install the unit on a strong and leveled surface.
- To ensure proper operation the unit must be leveled from front to back and left to right.
- Unit may malfunction if improperly leveled.
- Ensure sufficient ventilation around the entire unit.
- Select a location away from heat and moisture generating equipment.
- Avoid installation in a high ambient or humid location.
- High ambient temperatures will cause the compressor to overwork.
- Humidity may cause rust, condensation around glass or stainless steel and decrease the efficiency of the unit.

### 3.3. Connection and start-up

- Unpack the unit.
- Remove the protection foil from the elements of the unit (e.g. from the inside of the unit, display shelves, front bumper).
- Place the unit on an even and hard base. Then level the unit with the levelling legs. (Figure 2)  
For units with casters, use wheel brakes to immobilize the unit during operation. (Figure 3)

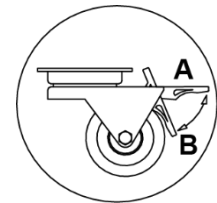
**Figure 2 Leveling legs**

A –Screw the leg in nuts



**Figure 3 Caster wheels**

A –Moving position  
B –Brake



- To securely transport the equipment, the unit may be shipped partially disassembled. If the user received the unit partially disassembled, perform the following operations:
  1. Place display shelves or fish tanks on aluminum angle sections.
  2. Place side glass panels. (Figure 4)
  3. Mount the aluminum lamp (together with lighting) on side glass panels.
  4. Mount the casing of lamp conduit.
  5. Move the casing of lamp conduit to the back of the side glass panels to hide the conduit and to place it in the internal part of the side glass panels.
  6. Mount front glass screen. (Figure 5)
  7. Mount front glass of the display cases.
  8. Mount night screens.
  9. Place the condensate container on the base of the equipment according to Figure 7.

- The equipment should be cleaned right after unpacking and before turning it on. The unit should be cleaned with warm water not exceeding 40°C with a neutral detergent. For washing and cleaning the equipment, it is prohibited to use products containing chlorine and sodium varieties, which destroy the protective layer and components of the equipment! Any residue of adhesives or silicone on metal elements should be removed only with extraction naphtha (not applicable to items made of plastic). Do not use other organic solvents.

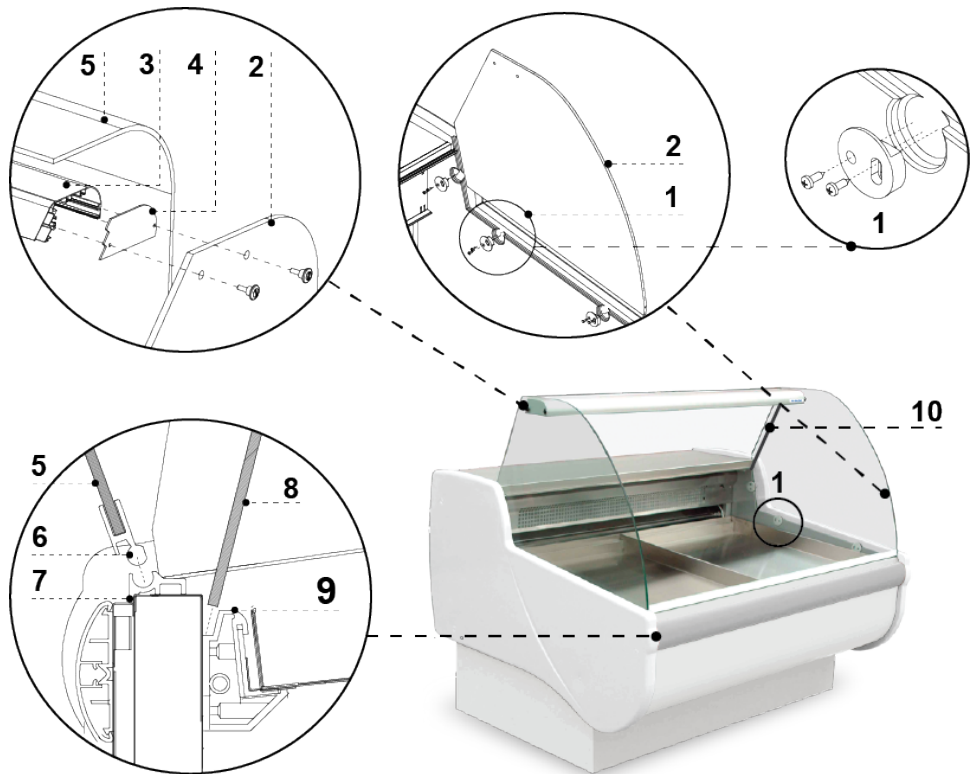
***When cleaning the unit, do not use water jet. The unit should be cleaned with a moist cloth.***

***After installation of the equipment at the destination location it should be left to rest for at least 2 hours before turning it on (for devices with built-in compressor) to set the level of refrigerant in order to prevent problems with the start up.***  
***WARNING: Keep the cooling circuit away from damage!***

- Turn on the main switch. (Figure. 8/1)
- The temperature on the thermostat control panel is PRE SET. (Figure 8/3)
- Turn on the light switch. (Figure. 8/2)

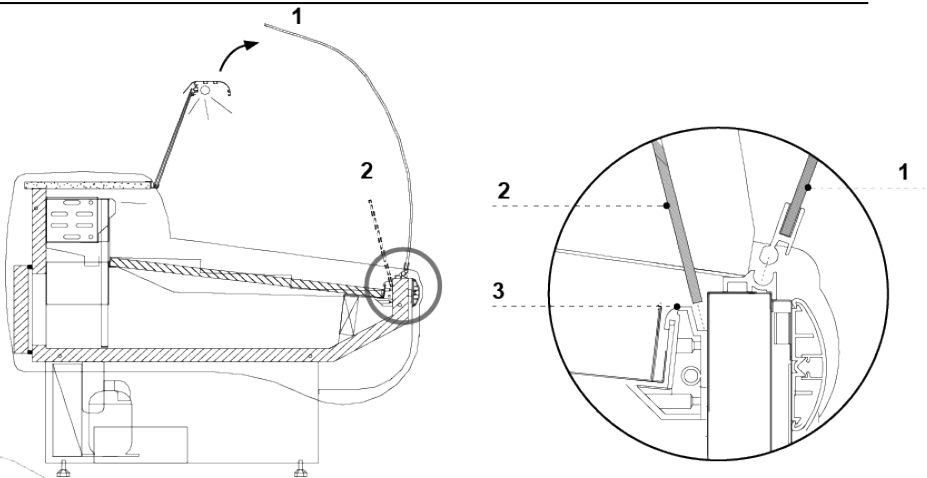
**Figure 4 Assembly of glass elements and aluminum lamp**

- 1 - Side glass panels bracket
- 2 - Side glass panels
- 3 - Aluminum lamp
- 4 - Aluminum lamp end panel
- 5 - Curved front glass, lifted
- 6 - Upper aluminum profile of the glass (lifted guide)
- 7 - Lower aluminum profile of the glass (catch)
- 8 - Front screen
- 9 - Front bracket
- 10 - Lamp conduit protection



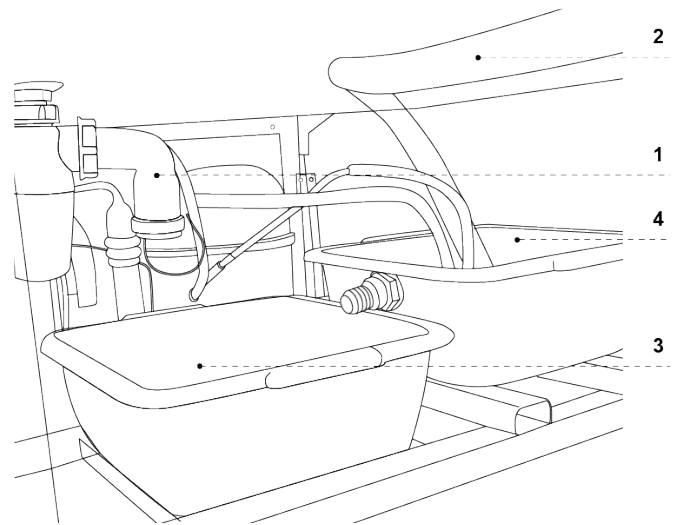
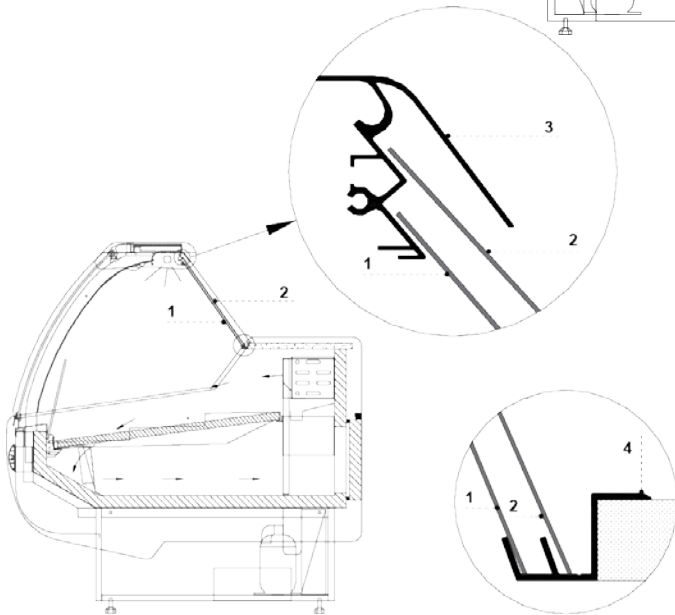
**Figure 5 Assembly of front screens**

- 1 – Lift front glass
- 2 – Place front screen on front bracket
- 3 – Front bracket



**Figure 6 Assembly/disassembly of night screens**

- 1 - Lower night screen (shorter one) – mounted first
- 2 - Upper night screen (longer one) –mounted second
- 3 - Aluminum lamp (hides and secures the night screens)
- 4 - Night screen guide (aluminum profile)

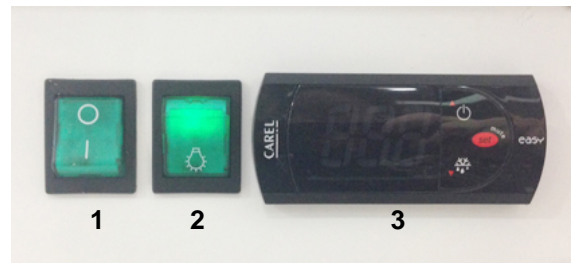


**Figure 7 Overflow (version with evaporator)**

- 1 - Water outlet from the body of the unit (water-sealed)
- 2 - Rail water outlet hose (condensate outflow after defrosting the evaporator)
- 3 - Overflow (it is necessary to empty the condensate, when water overflows the evaporator container)
- 4 - Evaporator container

**Figure 8 Overflow (version with evaporator)**

- 1 - Main switch (turns on/off the unit)
- 2 - Light switch
- 3 - Thermostat (temperature regulator) panel (Service details in Chapter 4)





## 4. UNIT START UP

Temperature of the cooled space and aggregate operating cycle may fluctuate. This depends on numerous factors, such as the amount and temperature of products placed in the device and temperature of the surroundings. The equipment should be placed in a dry and well-ventilated area, ensuring proper air exchange (distance between the wall and the equipment– min. 10cm), out of sunlight, kept far from heat sources and devices enforcing air flow (ceiling and portable ventilators, blow-in heaters). The equipment functions properly in a room, where temperature falls within appropriate climatic class. The operation of the equipment may worsen when operates outside the stated temperature range.

### Remarks and indications

- ***It is necessary to properly level the rack, which will prevent the equipment from noisy operation and will ensure proper water (condensate) outflow during defrosting.***
- ***After transporting the equipment, wait about 2 hours before the start up the unit.***
- ***To ensure proper conditions for the stored products, do not load the shelves completely. Ensure even load of shelves and not to exceed the maximum load.***
- ***Do not block any ventilation holes, which would hamper the circulation of the cooled air. It is also necessary to ensure proper airflow around the equipment.***
- ***Keep the condenser clean. Impurities may lead to overheating of the compressor and may result in damage, which is not covered by the warranty.***
- ***Do not use electric devices inside the product storing chamber.***
- ***After closing the door of the unit, it is not recommended to open it with force. Negative pressure created inside the unit is levelled within 1-2 minutes, which allows easy opening of the door.***
- ***Avoid unnecessary opening of doors and leaving them open for a longer period of time.***

### 4.1. Temperature regulation

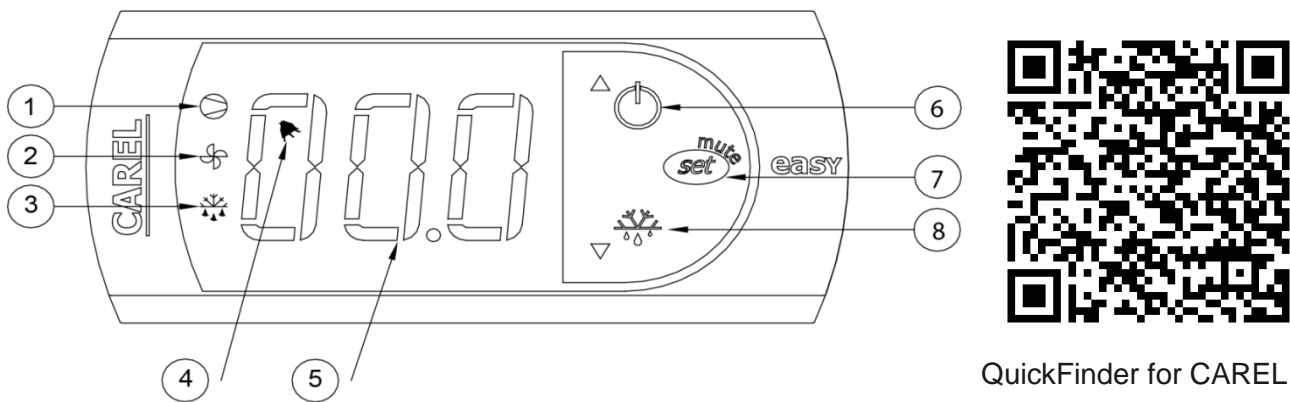
The thermostat is to obtain the set temperature within the equipment and maintain it within the determined temperature ranges. The manufacturer enters all settings of temperature regulators required for normal

functioning of the equipment. Before primary actuation the user should control and possibly set the required temperature inside the equipment on the control panel.

Digital display – displays the current temperature inside the equipment

***It is forbidden to interfere with systemic parameters of the thermostat, as this can lead to serious consequences, including the damage of the cooling unit!***

**Figure 9 “Carel” thermostat control panel**



**WHAT DO DIODES ON CONTROL PANEL SIGNIFY**

**Diode 1 - Compressor:** This symbol is visible when the compressor is working. It is blinking when compressor actuation is delayed by security procedure. It blinks in the following cycle: two blinks – pause, when the constant working mode is activated.

**Diode 2 - Ventilator:** This symbol is visible when evaporator ventilators are turned on. It blinks when the actuation of the ventilators is delayed by external disengagement or when another procedure is in progress.

**Diode 3 - Defrosting:** This symbol is visible when the defrosting function is activated. It blinks when the actuation is delayed by external disengagement or when another procedure is in progress.

**Diode 4 - Alarm:** This symbol is visible when the alarm is activated.







**Diode 5 - Current temperature** inside the equipment is displayed (decimal places displayed after the comma).

**Diode 6 – On/Off Switch:** Pressing this button alone: for more than 3 sec. switch On/Off, **Pressing with other buttons:** pressed together with 8 activities/deactivates the continuous cycle.


**Diode 7 – Set/ Mute:** **Pressing this button alone:** 1 sec. displays /sets the set point, more than 3 sec. accesses the parameter setting menu (enter password 22), mutes the audible alarm (buzzer), **Start Up:** hold the set/mute button for 1 sec. RESET current EY set / Pressed together (7 and 8) activate parameter reset procedure.

**Diode 8 – Defrost: Pressing this button alone:** more than 3 sec. activates/deactivates the defrost. **Pressing with other buttons:** pressed together with 6 activates/deactivates the continuous cycle, **Start Up:** hold for 1 sec. displays firmware version.

**SETTING THE DESIRED TEMPERATURE**

- Press the set button  for 1 second leading value shall be displayed on the screen
- Increase or decrease the leading value by means of   and  , until the desired value shall be obtained;
- Press the set button  once again in order to confirm the new value of the setting point.

**MANUAL INPUT OF THE DEFROSTING CYCLE**

Defrosting shall be released in an automatic mode. It is possible to force defrosting at any moment by pressing and holding the  defrost switch for minimum 5 seconds.

**Table 2 Table of alarms and signals**

alarm code	buzzer and alarm relay	LED	alarm description	reset
E0	active	ON	probe 1 error= control	automatic
E1	active	ON	probe 2 error= defrost	automatic
E2	active	ON	probe 3 error= condenser/product	automatic
EE	active	ON	unit parameter error	not possible
EF	active	ON	operating parameter error	manual
Ed	not active	ON	defrost ended by timeout	On first defrost ended correctly
CHt	active	ON	dirty condenser alarm	manual

**MODIFYING THE PARAMETERS**

**Parameter navigation**

The operating parameters, modifiable using the keypad, are divided into two types: frequent (type F) and configuration (type C). Access to the latter is protected by password (default= 22) to prevent accidental or unauthorized modifications.

**Accessing the type F parameters:**

- Press the SET button for more than 3 s (if there are active alarms, mute the buzzers). The display shows the parameter code 'PS' (password);
- Use the UP and DOWN buttons to scroll the parameters. The LED corresponding to the category of parameters will be on;
- Press SET to display the value associated with the parameter
- Increase or decrease the value using the UP or DOWN button respectively;
- Press SET to temporarily save the new value and display the parameter again;
- Repeat the procedure for any other parameters that need to be modified;
- Press the SET button for more than 3 s to permanently save the parameters and exit the parameter setting procedure.

**Table 3 Table of easy compact parameters**

Par.	Description	Def.	UOM.	Min	Max
St	set point	1	°C	r1	r2
PS	password	22	-	0	99
/2	probe measurement stability	4	-	1	15
/4	select probe displayed	1	-	1	3
/5	select °C/°F	0	-	0(°C)	1(°F)
/6	disable decimal point	0	-	0	1
/C1	probe 1 offset	0.0	°C	-50.0	50.0
/C2	probe 2 offset	0.0	°C	-50.0	50.0
/C3	probe 3 offset	0.0	°C	-50.0	50.0
rd	control differential	3.0	°C	0	19.0
r1	minimum set point value	0.0	°C	-50.0	r2
r2	maximum set point value	15.0	°C	r1	99
r3	select direct/reverse operation	0	-	0	2
r4	night-time set point delta	3.0	°C	-50	50
c0	compressor and fan start delay on power-up	1	min	0	100
c1	minimum time between consecutive compressor starts	1	min	0	100
c2	minimum compressor off time	1	min	0	100
c3	minimum compressor on time	0	min	0	100
c4	compressor on time with duty setting	50	min	0	100
cc	continuous cycle duration	2	2	0	15
c6	temperature alarm bypass after continuous cycle	2	h	0	15
d0	type of defrost	0	-	0	4
d1	interval between defrosts	8	h	0	199
dt	end defrost temperature set point	12.0	°C	-50	130
dP	maximum defrost duration	60	min	1	199
d4	defrost when switching the instrument on	0	-	0	1
d5	defrost delay on power-up or when enabled by digital input	0	min	0	199

d6	freeze control temperature display during defrost	1	-	0	1
dd	dripping time	2	min	0	15
d8	alarm bypass time after defrost	1	h	0	15
d9	defrost priority over compressor protectors	0	-	0	1
d/	defrost probe reading (2)	-	°C	-	-
dC	time base	0	-	0	1
A0	alarm and fan temperature differential	2.0	°C	-20	+20
AL	absolute/relative temperature for low temperature alarm	0.0	°C	-50	+99
AH	absolute/relative temperature for high temperature alarm	0.0	°C	-50	+99
Ad	temperature alarm delay	0	min	0	199
A4	3rd input configuration	0	-	0	11
A7	digital input alarm delay	0	min	0	199
A8	enable alarm "Ed" (end defrost by timeout)	0	-	0	1
Ac	set point dirty condenser alarm	60	°C	-50	250
AE	dirty condenser alarm differential temperature	3.0	°C	0.1	20
Accd	dirty condenser alarm delay	0	min	0	250
H0	serial address	1	-	0	207
H1	AUX output configuration	0	-	0	2
H2	enable keypad	1	-	0	2
H4	disable buzzer	0	-	0	1
H5	ID code (read-only)	-1	-	1	+199
EZY	restore the Default settings	2	0	0	1

## 5. MAINTENANCE

- Do not use steel wool, abrasive cleaners, bleach or cleaners containing chlorine or sodium to clean the unit.
- Do not use pressure washer or water-jet to clean the unit.
- The unit should be cleaned right after unpacking and before turning it on.
- The unit should be cleaned with warm water and mild soap.
- Make sure to cover the fan motor to prevent moisture damage.
- Dore gaskets, shelves and supports should be cleaned on a regular basis.
- Fan blades and guards should be cleaned with a soft cloth.

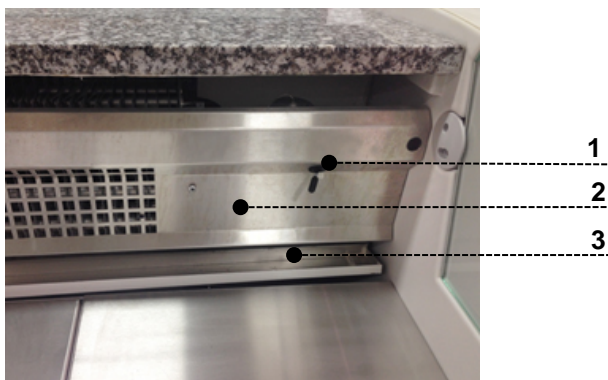
### 5.1 Cleaning and maintenance

- ***All maintenance service needs to be performed after disconnecting the unit from the power supply!***
- ***Protect electrical components against any damages or water spillage.***
- ***Do not use water stream to clean the equipment, only a moist cloth.***
- ***Do not use any sharp objects to remove dirt!***

- **Devices with caster can't be used on uneven surfaces!**
- **When cleaning inside of the device do not leave the front glass panel lifted in the aluminum profile, this may cause damage to the glass and is not covered by warranty. Please remove the glass with profile during the cleaning process. (Figure 11)**

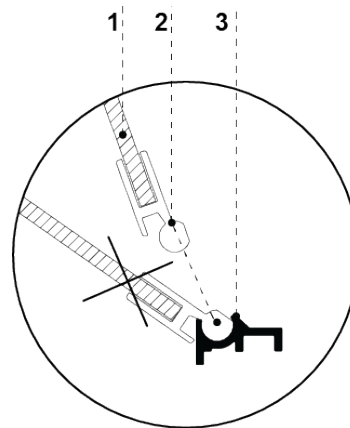
**Figure 11 Temperature sensor inside the unit**

- 1 – Temperature sensor
- 2 – Evaporator screen
- 3 – Evaporator drip rail



**Figure 10 Disassembly of the front glass**

- 1 – Front glass
- 2 – Upper aluminum profile (lifted guide) of the glass
- 3 – Lower aluminum profile (hinge) of the glass

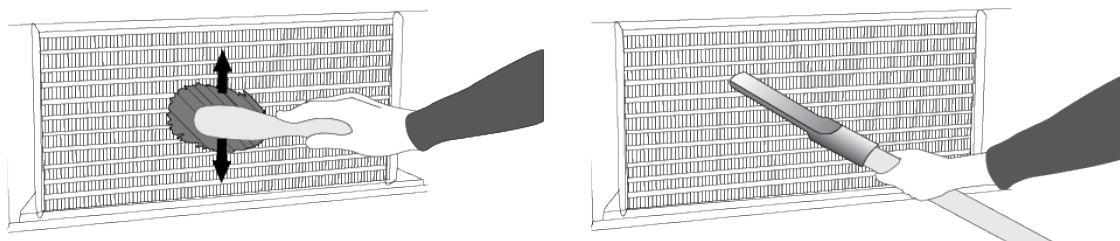


**When using the display case, as well as during maintenance works, pay attention not to damage the temperature sensor in the evaporator screen!**

**Do not use mechanical agents to quicken the defrosting process!**

It is recommended to make a break in the operation **once a month** in order to clean the interior, naturally defrost the evaporator and clean the condenser.

**Figure 12 Cleaning the condenser**



It is essential to keep the condenser of the device clean. Dirt may hinder the heat exchange, causing increase in electricity consumption and may cause damage to the compressor. In order to clean the condenser it is necessary to unscrew the sheet metal screws and pull the wind brace out of catch by lifting it up. Clean condenser lamellas with help of soft brush or paint brush. If the condenser is extremely dirty (blocking of lamellas), use vacuum cleaner or compressed nitrogen to remove dirt from between lamellas.

***The seller shall not be held responsible for any condenser damages in the case of non-observance of condenser cleaning instructions.***

## 6. SERVICE

### 6.1. Faults identification and repair

In case of any difficulties during actuation of the equipment or during its operation, please return to the chapters in this manual, which explain the performed operation. This aims to ensure the equipment is properly operated. If you still experience difficulties, the following might help you solve the problems.

**The equipment is not working... – Make sure that:**

- The equipment is connected to the power supply.
- Voltage and frequency in the network are compliant with those recommended by the manufacturer, 115V/60Hz.
- The main switch is turned on.
- Thermostat is turned on.

**The equipment is operating, but the light is off... – Make sure that:**

- Light switch is turned on.
- Lamp or starting switch of the equipment is not burnt.

**Water leakage from under the device**

- Check whether the equipment is properly levelled.
- Empty the condensate container.

**The equipment does not reach the proper temperature, the light is on... – Make sure that:**

- The main switch is on.
- Temperature setting on the thermostat is properly set.
- Thermostat works properly.
- The condenser is clean, if necessary – clean the condenser.
- Ambient temperature does not exceed 25°C.
- Enough time has passed for products to be cooled.
- Ventilation holes are not blocked.

**The equipment is working too loud... – Make sure that:**

- The equipment is standing stably and properly levelled.

- Furniture adjoining the equipment does not vibrate when self-contained compressor is working.

***A noise made by the operating device is normal. The units are equipped with ventilators, engines and compressors, which turn on and off automatically. Each compressor makes certain noises when operating. These sounds are made by the aggregate engine and by cooling agent flowing through the circuit. This phenomenon constitutes a technical feature of cooling devices and does not signify equipment failure.***

***Steam precipitation on the glass is a normal phenomenon in the event of high relative air humidity exceeding 55% and does not require calling for service.***

## **6.2 Service**

### **IGLOO Refrigeration service**

**Telephone number:** 416-663-3051 or (toll free) 1-888-408-8819

**E-mail:** [service@igloo400.com](mailto:service@igloo400.com)

If after checking points described in chapter 6.1 “Faults identification and repair” the equipment still does not work properly, Please contact Technical Service @ IGLOO Refrigeration.